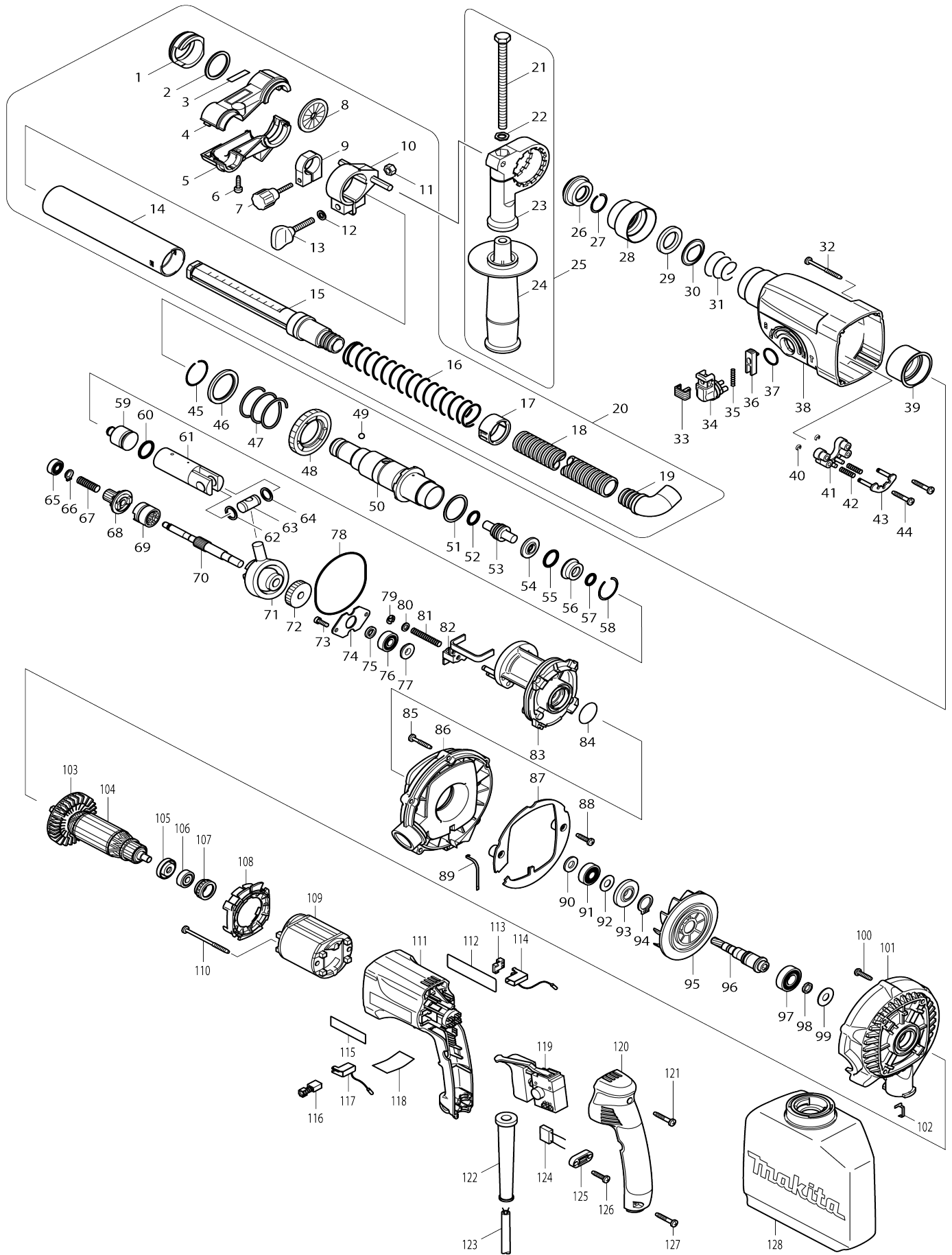


Model No.HR2432 ROTARY HAMMER 24MM



Model No.HR2432 ROTARY HAMMER 24MM

Item No.	Parts No.	Description	Interchangability	Q'ty	New/Old	Note1	Note2
001	421396-0	FITTING RUBBER		1			
002	267091-6	FLAT WASHER 28		1			
003	819071-4	MAKITA LABEL		1			
004	414799-5	COLLECTOR 25R		1			
005	414800-6	COLLECTOR 25L		1			
006	265926-5	TAPPING SCREW 4X16		1			
007	265706-9	THUMB SCREW M4X24		1			
008	421384-7	SEALING CAP 40		1			
009	414795-3	STOPPER RING		1			
010	417156-6	PIPE HOLDER		1			
011	931302-2	HEX. NUT M6		1			
012	941151-9	FLAT WASHER 6		1			
013	265705-1	THUMB SCREW M6X30		1			
014	414797-9	SUPPORT PIPE		1			
015	414796-1	SLIDE PIPE		1			
016	233015-4	COMPRESSION SPRING 25		1			
017	414794-5	SPRING STOPPER		1			
018	414898-3	HOSE 19		1			
019	417153-2	CUFFS 19-22		1			
020	122709-5	DUST COLLECTOR ASS'Y		1			
D10		INC. 1-19					
021	921923-8	HEX. BOLT M8X120		1			
022	345280-4	HEX. WASHER		1			
023	417630-4	GRIP BASE		1			
024	152521-9	GRIP 36 COMPLETE		1	*		
024-1	153503-4	GRIP 36 COMPLETE	O	1			
025	134943-5	GRIP 36 ASS'Y		1	*		
D10		INC. 21-24					
025-1	135302-6	GRIP 36 ASS'Y	O	1			
D10		INC. 21-24					
026	286263-4	CAP 35		1			
027	233915-8	RING SPRING 19		1	*		
027-1	233940-9	RING SPRING 19	O	1			
028	417629-9	CHUCK COVER		1			
029	257241-1	RING 21		1			
030	345187-4	GUIDE WASHER		1			
031	233916-6	CONICAL COMP. SPRING 21-29		1			
032	266069-6	TAPPING SCREW 4X45		4			
033	417794-4	CAP		1			
034	162229-7	CHANGE LEVER COMPLETE		1			
035	233341-1	COMPRESSION SPRING 3		1			
036	417795-2	LOCK BUTTON		1			
037	213278-8	O RING 17		1			
038	183441-6	GEAR HOUSING SET		1			
D10		INC. 39					
039	153290-5	NEEDLE BEARING COMPLETE		1			
040	961017-7	STOP RING E-3		2			

041	417796-0	GUIDE BASE		1		
042	233344-5	COMPRESSION SPRING 4		2		
043	163430-7	LOCK PLATE COMPLETE		1		
044	265999-8	TAPPING SCREW 4X25		2		
045	233918-2	RING SPRING 28		1		
046	267228-5	WASHER 30		1		
047	233328-3	COMPRESSION SPRING 31		1		
048	227028-5	SPUR GEAR 51		1		
049	216022-2	STEEL BALL 7.0		1		
050	153365-0	TOOL HOLDER COMPLETE		1		
051	267229-3	FLAT WASHER 28		1		
052	213128-7	O RING 12		1		
053	324396-8	IMPACT BOLT		1		
054	324218-2	RING 9		1		
055	213232-2	O RING 15		1		
056	324216-6	O RING CASE		1		
057	213073-6	O RING 9		1		
058	233917-4	RING SPRING 28		1		
059	324214-0	STRIKER		1		
060	213227-5	O RING 16		1		
061	331632-5	PISTON CYLINDER		1		
062	267104-3	FLAT WASHER 12		1		
063	324215-8	PISTON JOINT		1		
064	267104-3	FLAT WASHER 12		1		
065	211012-0	BALL BEARING 606ZZ		1	*	
065-1	210028-2	BALL BEARING 606ZZ	O	1		
066	961003-8	RETAINING RING S-7		1		
067	233343-7	COMPRESSION SPRING 7		1		
068	226399-7	SPUR GEAR 10		1		
069	331634-1	CLUTCH CAM		1	*	
069-1	331993-3	CLUTCH CAM	<	1		
070	324248-3	CAM SHAFT		1		
071	219014-0	SWASH BEARING 10		1		
072	226550-9	HELICAL GEAR 26		1		
073	266273-7	HEX. SOCKET HEAD BOLT M4X12		2		
074	345179-3	BEARING RETAINER		1		
075	267234-0	FLAT WASHER 8		1		
076	211032-4	BALL BEARING 608ZZ		1	*	
076-1	210029-0	BALL BEARING 608ZZ	O	1		
077	324212-4	RING 8		1		
078	213725-9	O RING 68		1		
079	961011-9	STOP RING E-4		1		
080	941102-2	FLAT WASHER 5		1		
081	233342-9	COMPRESSION SPRING 6		1		
082	345363-0	CHANGE PLATE		1		
083	153687-8	INNER HOUSING COMPLETE		1		
084	213380-7	O RING 24		1		
085	265999-8	TAPPING SCREW 4X25		5		
086	418807-4	FAN HOUSING A		1		
087	418809-0	DUST COVER PLATE		1		
088	265995-6	TAPPING SCREW 4X18		2		
089	345483-0	EARTH PLATE A		1		

090	267271-4	FLAT WASHER 9		1			
091	210060-6	BALL BEARING 609LLU		1			
092	267231-6	FLAT WASHER 9		1			
093	324500-9	DUST GUARD		1			
094	961055-9	RETAINING RING S-15		1			
095	241668-5	FAN 81		1			
096	226596-5	HELICAL GEAR 5		1	*		
096-1	226619-9	HELICAL GEAR 5	X	1			
097	211131-2	BALL BEARING 6001DDW		1			
098	262115-3	URETHANE RING 8		1	*		
098-1	213033-8	O RING 8	O	2			
099	253741-9	FLAT WASHER 9		1	*		
099-1	253733-8	FLAT WASHER 9	O	1			
100	265995-6	TAPPING SCREW 4X18		4			
101	418808-2	FAN HOUSING B		1			
102	345484-8	EARTH PLATE B		1			
103	240047-4	FAN 60		1	*		
103-1	240084-8	FAN 60	O	1			
104	515624-4	ARMATURE ASS'Y 220-240V		1	*		
D10		INC. 103,105,106					
104-1	515654-5	ARMATURE ASSY 240V	<	1	*		
D10		INC. 103,105,106					
104-2	515674-9	ARMATURE ASS'Y 240V	O	1			
D10		INC. 103,105,106					
105	681636-0	INSULATION WASHER		1			
106	211021-9	BALL BEARING 607LLB		1			
107	421494-0	RUBBER RING 19		1			
108	417631-2	BAFFLE PLATE		1	*		
108-1	419201-3	BAFFLE PLATE	O	1			
109	633488-5	FIELD 220-240V		1			
110	266052-3	TAPPING SCREW 4X60		2			
111	183409-2	MOTOR HOUSING		1	*		
D10		INC. 115					
111-1	417632-0	MOTOR HOUSING	O	1			
112	861193-6	HR2432 NAME PLATE		1			
113	689111-0	SPACER		2			
114	643988-7	BRUSH HOLDER		1			
115	819063-3	MAKITA LABEL		1	*		
116	191962-4	CARBON BRUSH CB-419		1	*		
116-1	195015-1	CARBON BRUSH SET CB-419	O	1			
117	643989-5	BRUSH HOLDER		1			
118	815991-0	HR2432 SERIAL NO. LABEL		1			
119	650508-0	SWITCH TG813TLB-1		1			
120	153284-0	HANDLE COVER COMPLETE		1			
121	265999-8	TAPPING SCREW 4X25		1			
122	682566-8	CORD GUARD 10		1			
123	665890-4	POWER SUPPLY CORD 1.0-2-4.0		1			
124	645253-0	NOISE SUPPRESSOR		1			
125	687052-4	STRAIN RELIEF		1	*		
125-1	687124-5	STRAIN RELIEF	O	1			
126	265995-6	TAPPING SCREW 4X18		2			

127	265999-8	TAPPING SCREW 4X25		2		
128	122708-7	DUST BAG ASSY		1		
C10	410602-8	FASTENER		1		
C20	417154-0	FRAME CAP		1		
129	257273-8	RING 8		1		
A01	824729-2	PLASTIC CARRYING CASE		1	*	
C10	163455-1	LATCH		2	*	
C20	418889-6	HANDLE		1	*	
C30	819140-1	MAKITA LOGO LABEL		1	*	
A01-1	824729-2	PLASTIC CARRYING CASE	O	1		
C10	163455-1	LATCH		2		
C20	419360-3	HANDLE		1		
C30	819140-1	MAKITA LOGO LABEL		1		
A02	421727-3	CAP		1		
E01	688131-1	LINE FILTER		1	*	
E01-1	688131-1	LINE FILTER	O	1		

Please state Parts No. when your order.

Print Date 12/04/2023