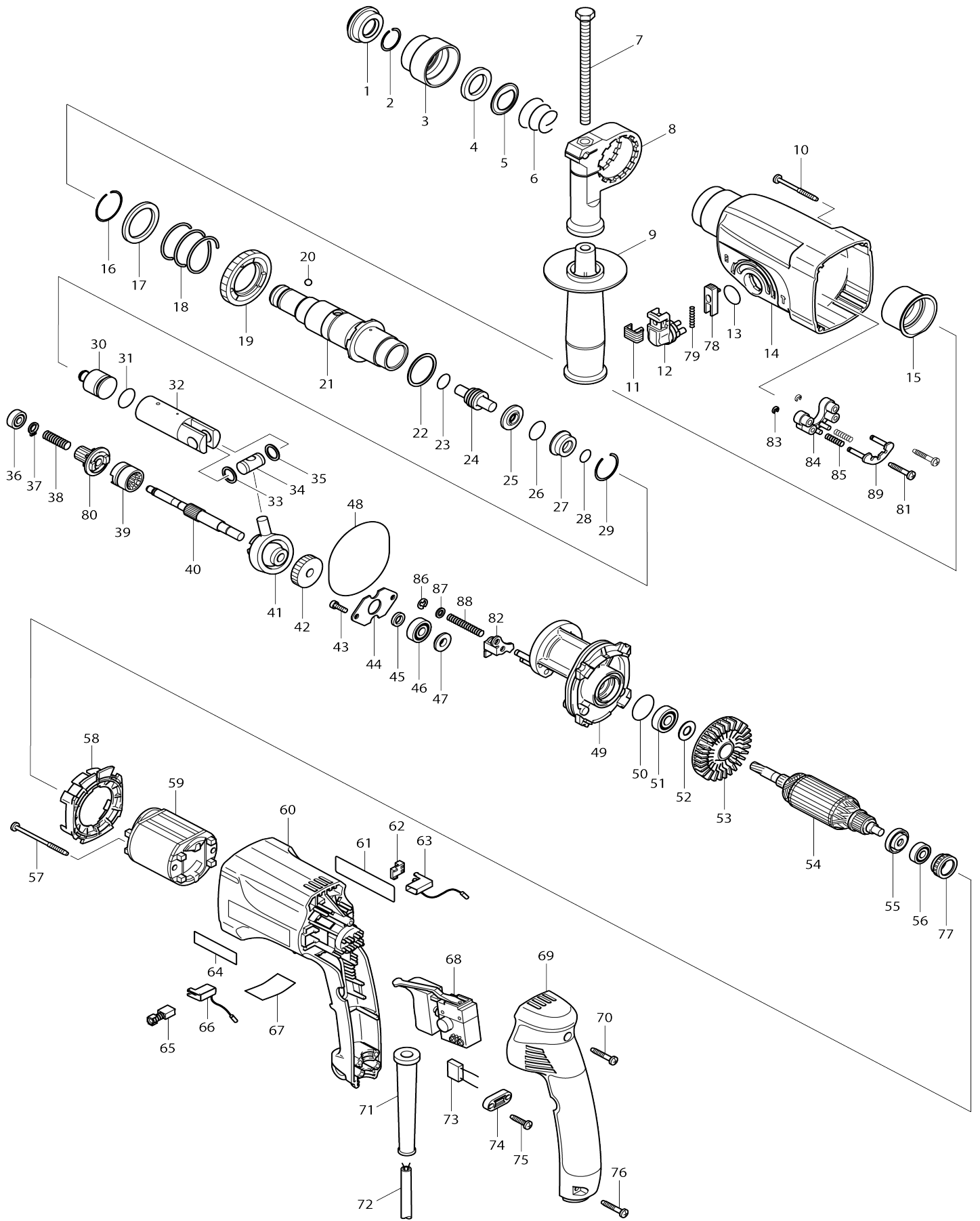


Model No.HR2450 ROTARY HAMMER 24MM



Model No.HR2450 ROTARY HAMMER 24MM

Item No.	Parts No.	Description	Interc hang eabilit y	Q'ty	New/ Old	Note1	Note2
001	286263-4	CAP 35		1			
002	233915-8	RING SPRING 19		1	*		
002-1	233940-9	RING SPRING 19	O	1			
003	417629-9	CHUCK COVER		1			
004	257241-1	RING 21		1			
005	345187-4	GUIDE WASHER		1			
006	233916-6	CONICAL COMP. SPRING 21-29		1			
007	921923-8	HEX. BOLT M8X120		1			
008	417630-4	GRIP BASE		1	*		
008-1	417630-4	GRIP BASE	<	1			
009	152521-9	GRIP 36 COMPLETE		1	*		
009-1	134943-5	GRIP 36 ASS'Y	<	1	*		
C10	152521-9	GRIP 36 COMPLETE		1	*		
D10		INC. 7,8					
009-2	134943-5	GRIP 36 ASS'Y	<	1	*		
C10	152521-9	GRIP 36 COMPLETE		1	*		
D10		INC. 7,8,90					
009-3	135302-6	GRIP 36 ASS'Y	O	1			
C10	153503-4	GRIP 36 COMPLETE		1			
D10		INC. 7,8,90					
010	266069-6	TAPPING SCREW 4X45		4	*		
010-1	266425-0	TAPPING SCREW 4X45	O	4			
011	417794-4	CAP		1			
012	162229-7	CHANGE LEVER COMPLETE		1			
013	213278-8	O RING 17		1			
014	183441-6	GEAR HOUSING SET		1			
D10		INC. 15					
015	153290-5	NEEDLE BEARING COMPLETE		1			
016	233918-2	RING SPRING 28		1			
017	267228-5	WASHER 30		1			
018	233328-3	COMPRESSION SPRING 31		1			
019	227028-5	SPUR GEAR 51		1			
020	216022-2	STEEL BALL 7.0		1			
021	153365-0	TOOL HOLDER COMPLETE		1			
022	267229-3	FLAT WASHER 28		1			
023	213128-7	O RING 12		1			
024	324278-4	IMPACT BOLT		1	*		
024-1	324396-8	IMPACT BOLT	<	1			
025	324218-2	RING 9		1			
026	213232-2	O RING 15		1			
027	324216-6	O RING CASE		1			
028	213073-6	O RING 9		1			
029	233917-4	RING SPRING 28		1			
030	324214-0	STRIKER		1			
031	213227-5	O RING 16		1			
032	331632-5	PISTON CYLINDER		1	*		
032-1	331632-5	PISTON CYLINDER	O	1			

033	267104-3	FLAT WASHER 12		1		
034	324215-8	PISTON JOINT		1		
035	267104-3	FLAT WASHER 12		1		
036	211012-0	BALL BEARING 606ZZ		1	*	
036-1	210028-2	BALL BEARING 606ZZ	O	1		
037	961003-8	RETAINING RING S-7		1		
038	233343-7	COMPRESSION SPRING 7		1		
039	331634-1	CLUTCH CAM		1	*	
039-1	331993-3	CLUTCH CAM	<	1		
040	324248-3	CAM SHAFT		1		
041	219014-0	SWASH BEARING 10		1		
042	226550-9	HELICAL GEAR 26		1		
043	266273-7	HEX. SOCKET HEAD BOLT M4X12		2		
044	345179-3	BEARING RETAINER		1		
045	267234-0	FLAT WASHER 8		1		
046	211032-4	BALL BEARING 608ZZ		1	*	
046-1	210029-0	BALL BEARING 608ZZ	O	1		
047	324212-4	RING 8		1		
048	213725-9	O RING 68		1		
049	153367-6	INNER HOUSING COMPLETE		1	*	
049-1	153610-3	INNER HOUSING COMPLETE	<	1	*	
049-2	153687-8	INNER HOUSING COMPLETE	<	1		
050	213380-7	O RING 24		1		
051	210060-6	BALL BEARING 609LLU		1		
052	267231-6	FLAT WASHER 9		1		
053	240047-4	FAN 60		1	*	
053-1	240084-8	FAN 60	O	1		
054	517378-9	ARMATURE ASS'Y 220-240V		1	*	
D10		INC. 51,52,53,55,56				
054-1	515668-4	ARMATURE ASS'Y 220-240V	O	1		
D10		INC. 51,52,53,55,56				
055	681636-0	INSULATION WASHER		1		
056	211021-9	BALL BEARING 607LLB		1		
057	266052-3	TAPPING SCREW 4X60		2	*	
057-1	266334-3	TAPPING SCREW 4X60	O	2		
058	417631-2	BAFFLE PLATE		1	*	
058-1	419201-3	BAFFLE PLATE	O	1		
059	633488-5	FIELD 220-240V		1		
060	183409-2	MOTOR HOUSING		1	*	
D10		INC. 64				
060-1	183951-3	MOTOR HOUSING SET	O	1	*	
D10		INC. 64				
060-2	418084-8	MOTOR HOUSING	O	1		
061	853822-5	NAME PLATE HR2450		1		
062	689111-0	SPACER		2		
063	643988-7	BRUSH HOLDER		1		
064	819063-3	MAKITA LABEL		1	*	
065	191962-4	CARBON BRUSH CB-419		1	*	
065-1	195015-1	CARBON BRUSH SET CB-419	O	1		
066	643989-5	BRUSH HOLDER		1		
067	815934-2	HR2450 SERIAL NO. LABEL		1	*	
067-1	815978-2	HR2450 SERIAL NUMBER LABEL	X	1		

068	650508-0	SWITCH TG813TLB-1		1			
069	153284-0	HANDLE COVER COMPLETE		1			
C10	263002-9	RUBBER PIN 4		2			
070	265999-8	TAPPING SCREW 4X25		1	*		
070-1	266374-1	TAPPING SCREW 4X25	O	1			
071	682566-8	CORD GUARD 10		1			
072	665890-4	POWER SUPPLY CORD 1.0-2-4.0		1			
073	645253-0	NOISE SUPPRESSOR		1			
074	687052-4	STRAIN RELIEF		1	*		
074-1	687124-5	STRAIN RELIEF	O	1			
075	265995-6	TAPPING SCREW 4X18		2	*		
075-1	266326-2	TAPPING SCREW 4X18	O	2			
076	265999-8	TAPPING SCREW 4X25		2	*		
076-1	266374-1	TAPPING SCREW 4X25	O	2			
077	421494-0	RUBBER RING 19		1			
078	417795-2	LOCK BUTTON		1			
079	233341-1	COMPRESSION SPRING 3		1			
080	226399-7	SPUR GEAR 10		1			
081	265999-8	TAPPING SCREW 4X25		2	*		
081-1	266374-1	TAPPING SCREW 4X25	O	2			
082	345220-2	CHANGE PLATE		1	*		
082-1	345363-0	CHANGE PLATE	S	1			
083	961017-7	STOP RING E-3		2			
084	417796-0	GUIDE BASE		1			
085	233344-5	COMPRESSION SPRING 4		2			
086	961011-9	STOP RING E-4		1			
087	941102-2	FLAT WASHER 5		1			
088	233342-9	COMPRESSION SPRING 6		1			
089	163430-7	LOCK PLATE COMPLETE		1			
090	345280-4	HEX. WASHER		1			
091	267271-4	FLAT WASHER 9		1			
A01	324219-0	DEPTH GAUGE		1			
A02	824650-5	PLASTIC CARRYING CASE		1	*		
C10	417724-5	LATCH		2	*		
C20	819144-3	MAKITA LOGO LABEL		1	*		
A02-1	821896-4	PLASTIC CASE	O	1			
C10	417724-5	LATCH		2			
C20	819144-3	MAKITA LOGO LABEL		1			
F06	192349-3	JOINT 25		1			
A03	122573-4	CHUCK ADAPTER ASS'Y		1	*		
A04	192892-2	KEYLESS DRILL CHUCK		1	*		
A05	122823-7	KEYLESS DRILL CHUCK ASSEMBLY		1			
C10	192892-2	KEYLESS DRILL CHUCK		1			
C20	122573-4	CHUCK ADAPTER ASS'Y		1	*		
C21	D-14093	CHUCK ADAPTER (SDS-PLUS)	O	1	*		

Please state Parts No. when your order.

Print Date 01/29/2024