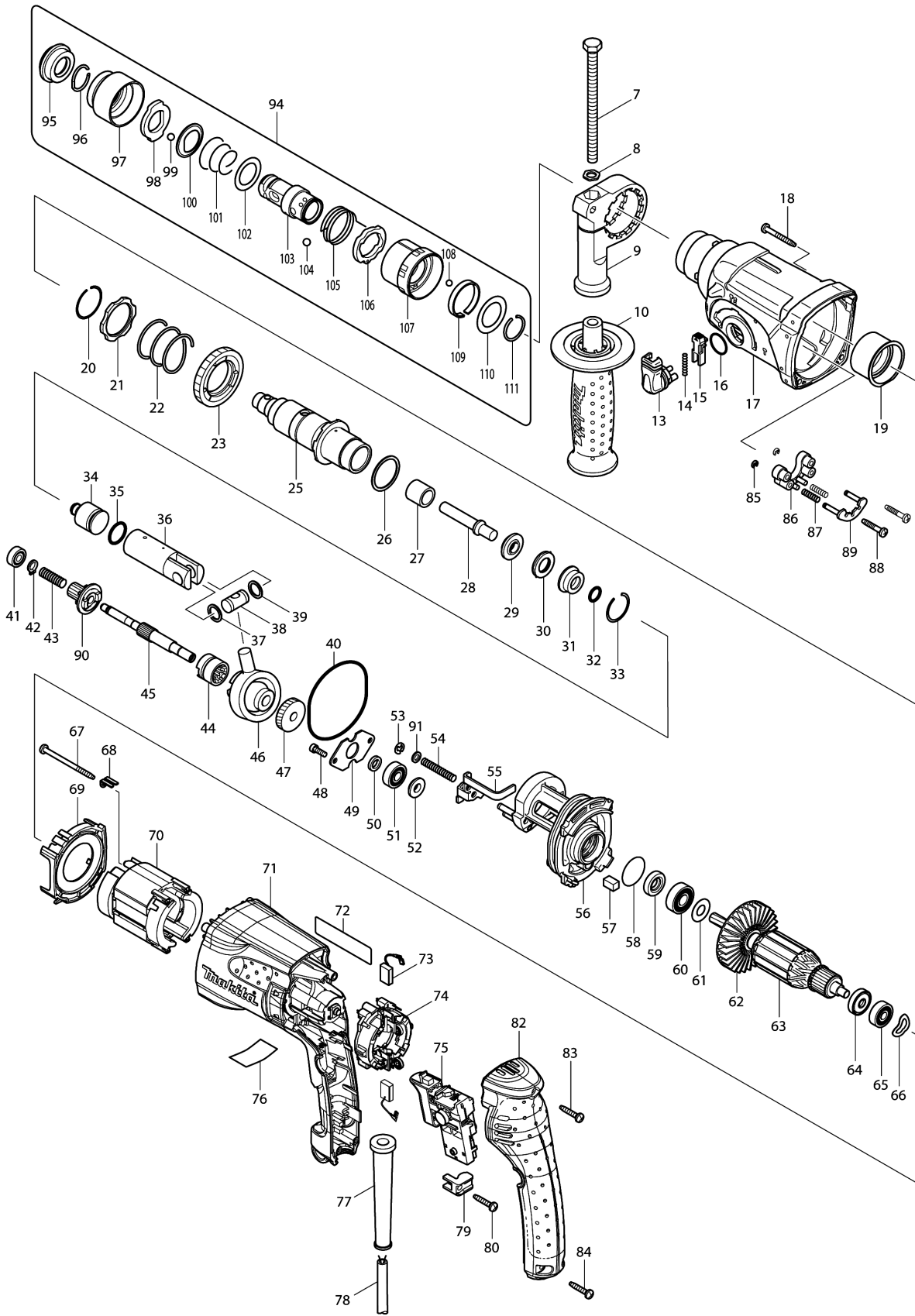


Model No.HR2470T ROTARY HAMMER 24MM



Model No.HR2470T ROTARY HAMMER 24MM

Item	Parts No.	Description	I/C	Qty	New/Old	Opt. 1	Opt. 2	Note
007	921923-8	HEX. BOLT M8X120		1	*			
007-1	265583-9	HEX. BOLT M8X120	O	1				
008	345280-4	HEX. WASHER		1				
009	417630-4	GRIP BASE		1				
010	158057-6	GRIP 36 COMPLETE		1				
C10	931402-8	HEX. NUT M8		1				
013	162245-9	CHANGE LEVER		1				
014	233459-8	COMPRESSION SPRING 3		1				
015	419192-8	LOCK BUTTON		1				
016	213278-8	O RING 17		1				
017	158216-2	GEAR HOUSING COMPLETE		1				
C10	213965-9	OIL SEAL 25		1	*			
C11	213345-9	OIL SEAL 25	O	1				
018	266351-3	TAPPING SCREW 4X35		4	*			
018-1	265B69-5	TAPPING SCREW 4X35	O	4				
019	153290-5	NEEDLE BEARING COMPLETE		1				
020	233929-7	RING SPRING 29		1				
021	267791-8	WASHER 31		1	*			
021-1	267460-1	WASHER 31	O	1				
022	233401-9	COMPRESSION SPRING 32		1				
023	227109-5	SPUR GEAR 51		1				
025	158307-9	TOOL HOLDER GUIDE COMPLETE		1				
026	267229-3	FLAT WASHER 28		1				
027	331769-8	SLEEVE 9		1				
028	324796-2	IMPACT BOLT		1				
029	324402-9	RING 10		1				
030	421955-0	CUSHION RING 13		1				
031	324216-6	O RING CASE		1				
032	213073-6	O RING 9		1				
033	233917-4	RING SPRING 28		1				
034	324733-6	STRIKER		1				
035	213227-5	O RING 16		1				
036	318132-2	PISTON CYLINDER		1				
037	267104-3	FLAT WASHER 12		1				
038	324215-8	PISTON JOINT		1				
039	267104-3	FLAT WASHER 12		1				
040	213727-5	O-RING 63		1				
041	211012-0	BALL BEARING 606ZZ		1	*			
041-1	210028-2	BALL BEARING 606ZZ	O	1				
042	961003-8	RETAINING RING S-7		1				
043	233343-7	COMPRESSION SPRING 7		1				
044	331768-0	CLUTCH CAM		1	*			
044-1	331992-5	CLUTCH CAM	<	1				
045	324668-1	CAM SHAFT		1				
046	219014-0	SWASH BEARING 10		1				

Please order the parts with part number.

Print Date 23/11/2023

Model No.HR2470T ROTARY HAMMER 24MM

Item	Parts No.	Description	I/C	Qty	New/Old	Opt. 1	Opt. 2	Note
047	226656-3	HELICAL GEAR 26		1				
048	266273-7	HEX. SOCKET HEAD BOLT M4X12		2				
049	345179-3	BEARING RETAINER		1				
050	267234-0	FLAT WASHER 8		1				
051	211032-4	BALL BEARING 608ZZ		1	*			
051-1	210029-0	BALL BEARING 608ZZ	O	1				
052	324212-4	RING 8		1				
053	961011-9	STOP RING E-4		1				
054	233342-9	COMPRESSION SPRING 6		1				
055	345363-0	CHANGE PLATE		1				
056	158215-4	INNER HOUSING COMPLETE		1	*			
056-1	141574-3	INNER HOUSING COMPLETE	S	1				
057	443126-9	FELT		1	*			
058	213407-3	O RING 26		1				
059	213077-8	OIL SEAL 10		1	*			
059-1	213A72-4	OIL SEAL 10	O	1				
060	210059-1	BALL BEARING 6000DDW		1				
061	267213-8	FLAT WASHER 10		1				
062	240092-9	FAN 64		1				
063	515289-2	ARMATURE ASS'Y 240V		1	*			
D10		INC. 60-62,64,65			*			
063-1	517984-0	ARMATURE ASSY 240V	O	1				
D10		INC. 60-62,64,65						
064	681652-2	INSULATION WASHER		1	*			
064-1	681670-0	INSULATION WASHER	<	1				
065	210023-2	BALL BEARING 627DDW		1				
066	267804-5	WAVE WASHER 15		1				
067	266334-3	TAPPING SCREW 4X60		2	*			
067-1	265D36-2	TAPPING SCREW 4X60	O	2				
068	344871-8	RETAINER		2				
069	419716-0	BAFFLE PLATE		1				
070	626579-9	FIELD 240V		1	*			
070-1	621884-9	FIELD 240V	O	1				
071	419731-4	MOTOR HOUSING		1				
072	863549-9	HR2470T NAME PLATE		1				
073	194074-2	CARBON BRUSH CB-325		1				
074	638500-6	BRUSH HOLDER UNIT		1				
075	650588-6	SWITCH C3VA-2L-C		1				
076	814964-0	HR2470T SERIAL NO.LABEL		1				
077	682566-8	CORD GUARD 10		1				
078	665890-4	POWER SUPPLY CORD 1.0-2- 4.0		1				
079	687260-7	STRAIN RELIEF		1				
080	266324-6	TAPPING SCREW 4X22		1	*			
080-1	265B46-7	TAPPING SCREW 4X22	O	1				

Please order the parts with part number.

Print Date 23/11/2023

Model No.HR2470T ROTARY HAMMER 24MM

Item	Parts No.	Description	I/C	Qty	New/Old	Opt. 1	Opt. 2	Note
082	419717-8	HANDLE COVER		1				
083	266324-6	TAPPING SCREW 4X22		1	*			
083-1	265B46-7	TAPPING SCREW 4X22	O	1				
084	266324-6	TAPPING SCREW 4X22		2	*			
084-1	265B46-7	TAPPING SCREW 4X22	O	2				
085	961017-7	STOP RING E-3		2				
086	417796-0	GUIDE BASE		1				
087	233344-5	COMPRESSION SPRING 4		2				
088	266374-1	TAPPING SCREW 4X25		2	*			
088-1	265B73-4	TAPPING SCREW 4X25	O	2				
089	163430-7	LOCK PLATE COMPLETE		1				
090	227179-4	SPUR GEAR 10		1				
091	941102-2	FLAT WASHER 5		1	*			
091-1	253542-5	FLAT WASHER 5	O	1				
094	194080-7	TOOL HOLDER SET		1				
D10		INC. 95-111						
095	286263-4	CAP 35		1				
096	233940-9	RING SPRING 19		1				
097	418217-5	CHUCK COVER		1				
098	345333-9	STOPPER		1				
099	216022-2	STEEL BALL 7.0		1				
100	345187-4	GUIDE WASHER		1				
101	233916-6	CONICAL COMP. SPRING 21-29		1				
102	267279-8	FLAT WASHER 21		1				
103	324355-2	TOOL HOLDER		1				
104	216013-3	STEEL BALL 6		2	*			
104-1	216062-0	STEEL BALL 6	O	2				
105	231669-1	TORSION SPRING 31		1				
106	345334-7	CHANGE RING		1				
107	418218-3	CHANGE COVER		1				
108	216018-3	STEEL BALL 5.0		1				
109	345335-5	LEAF SPRING		1				
110	267270-6	FLAT WASHER 24		1				
111	233924-7	RING SPRING 21		1				
112	819358-4	CLEAR LABEL		1	*			
112-1	892830-1	CLEAR LABEL	<	1	*			
112-2	816R96-7	CLEAR LABEL	O	1	*			
113	819364-9	CLEAR LABEL		1	*			
113-1	892829-6	CLEAR LABEL		1	*			
113-2	816R95-9	CLEAR LABEL	O	1	*			
A01	194079-2	DRILL CHUCK SET		1	*			
C10	251425-3	- FLAT HEAD SCREW M6X22		1	*			
C20	324353-6	CHUCK HOLDER		1	*			
C30	418216-7	SPACER		1	*			
A01-1	194079-2	DRILL CHUCK SET	<	1				

Please order the parts with part number.

Print Date 23/11/2023

Model No.HR2470T ROTARY HAMMER 24MM

Item	Parts No.	Description	I/C	Qty	New/Old	Opt. 1	Opt. 2	Note
C20	324353-6	CHUCK HOLDER		1				
C30	418216-7	SPACER		1				
A02	324219-0	DEPTH GAUGE		1				
A03	824799-1	PLASTIC CARRYING CASE		1				
C10	324319-6	SHAFT		1				
C20	417724-5	LATCH		2				
C30	419216-0	HANDLE		1				
A04	805441-3	HR2470T PLASTIC CASE LABEL		1	*			
A04-1	816S57-3	HR2470T PLASTIC CASE LABEL	X	1				
B01	195263-2	HAMMER SERVICE KIT SET		1				
C10	195127-0	OIL VESSEL SET		2				
D10		INC. 30,32,33,35,73,95,99						
F25	192349-3	JOINT 25		1				

Please order the parts with part number.

Print Date 23/11/2023