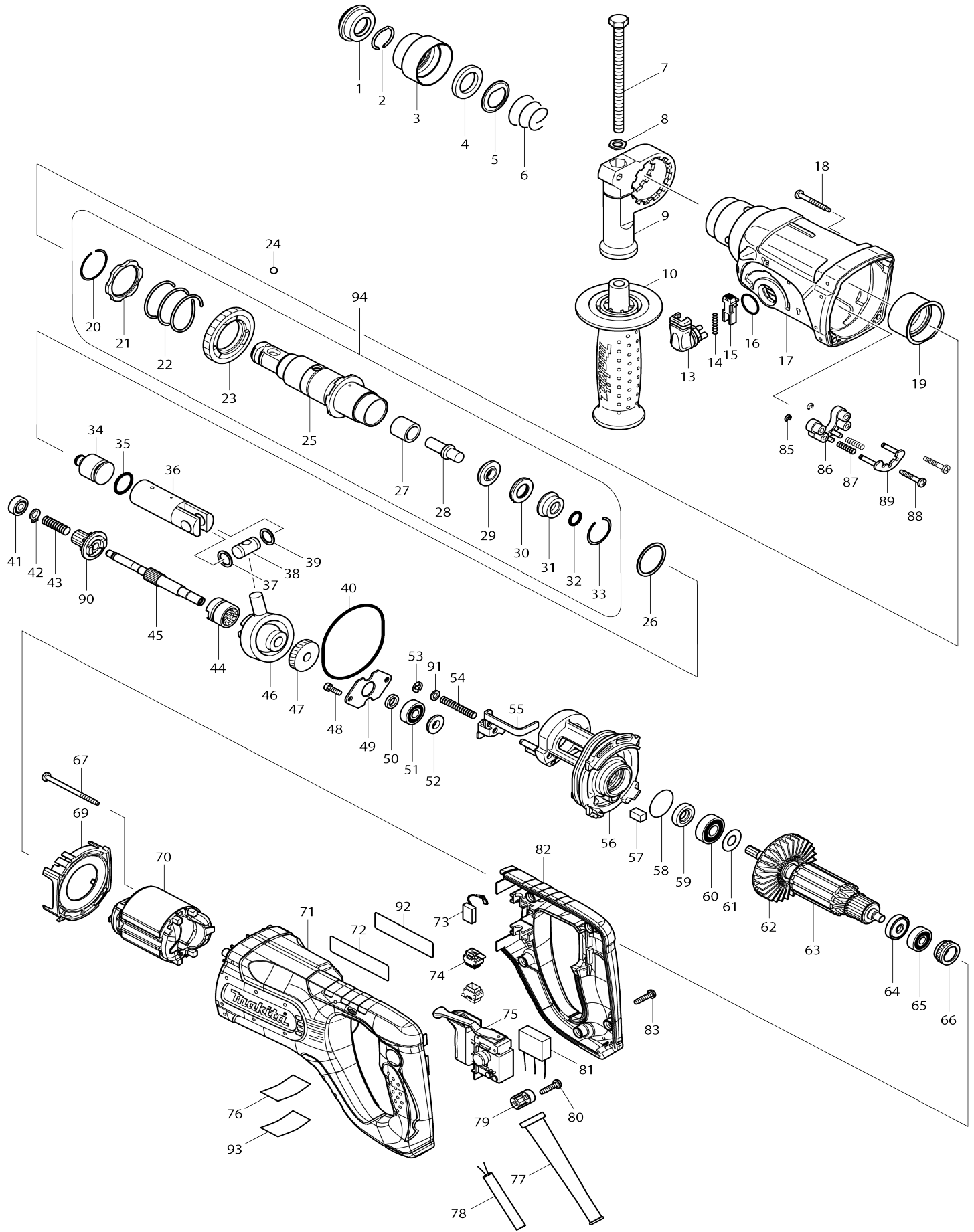


# Model No.HR2475 COMBINATION HAMMER 24MM



Model No.HR2475 COMBINATION HAMMER 24MM

| Item No. | Parts No. | Description                | Interchangeability | Q'ty | New/Old | Note1 | Note2 |
|----------|-----------|----------------------------|--------------------|------|---------|-------|-------|
| F01      | 199140-0  | GUIDE RAIL 1000 SET        |                    | 1    |         |       |       |
| F02      | 199141-8  | GUIDE RAIL 1500 SET        |                    | 1    |         |       |       |
| F03      | 194368-5  | GUIDE RAIL 1400 SET        |                    | 1    |         |       |       |
| F04      | 194925-9  | GUIDE RAIL 1900 SET        |                    | 1    |         |       |       |
| F05      | 194367-7  | GUIDE RAIL 3000 SET        |                    | 1    |         |       |       |
| F06      | 194416-0  | SHEET 10000 SET            |                    | 1    |         |       |       |
| F07      | 194417-8  | RUBBER SHEET 10000 SET     |                    | 1    |         |       |       |
| F08      | 194418-6  | POSITION SHEET 1400 SET    |                    | 1    |         |       |       |
| F09      | 194910-2  | POSITION SHEET 1900 SET    |                    | 1    |         |       |       |
| 001      | 286263-4  | CAP 35                     |                    | 1    |         |       |       |
| 002      | 233940-9  | RING SPRING 19             |                    | 1    |         |       |       |
| 003      | 417629-9  | CHUCK COVER                |                    | 1    |         |       |       |
| 004      | 257241-1  | RING 21                    |                    | 1    |         |       |       |
| 005      | 345187-4  | GUIDE WASHER               |                    | 1    |         |       |       |
| 006      | 233916-6  | CONICAL COMP. SPRING 21-29 |                    | 1    |         |       |       |
| 007      | 921923-8  | HEX. BOLT M8X120           |                    | 1    |         |       |       |
| 008      | 345280-4  | HEX. WASHER                |                    | 1    |         |       |       |
| 009      | 417630-4  | GRIP BASE                  |                    | 1    |         |       |       |
| 010      | 158057-6  | GRIP 36 COMPLETE           |                    | 1    |         |       |       |
| C10      | 931402-8  | HEX. NUT M8                |                    | 1    |         |       |       |
| 013      | 162245-9  | CHANGE LEVER               |                    | 1    |         |       |       |
| 014      | 233459-8  | COMPRESSION SPRING 3       |                    | 1    |         |       |       |
| 015      | 419192-8  | LOCK BUTTON                |                    | 1    |         |       |       |
| 016      | 213278-8  | O RING 17                  |                    | 1    |         |       |       |
| 017      | 158216-2  | GEAR HOUSING COMPLETE      |                    | 1    |         |       |       |
| C10      | 213965-9  | OIL SEAL 25                |                    | 1    | *       |       |       |
| C11      | 213345-9  | OIL SEAL 25                | O                  | 1    |         |       |       |
| 018      | 266351-3  | TAPPING SCREW 4X35         |                    | 4    |         |       |       |
| 019      | 153290-5  | NEEDLE BEARING COMPLETE    |                    | 1    |         |       |       |
| 020      | 233929-7  | RING SPRING 29             |                    | 1    |         |       |       |
| 021      | 267791-8  | WASHER 31                  |                    | 1    | *       |       |       |
| 021-1    | 267460-1  | WASHER 31                  | O                  | 1    |         |       |       |
| 022      | 233401-9  | COMPRESSION SPRING 32      |                    | 1    |         |       |       |
| 023      | 227109-5  | SPUR GEAR 51               |                    | 1    |         |       |       |
| 024      | 216022-2  | STEEL BALL 7.0             |                    | 1    |         |       |       |
| 025      | 158574-6  | TOOL HOLDER COMPLETE       |                    | 1    |         |       |       |
| 026      | 267229-3  | FLAT WASHER 28             |                    | 1    |         |       |       |
| 027      | 331769-8  | SLEEVE 9                   |                    | 1    |         |       |       |
| 028      | 324669-9  | IMPACT BOLT                |                    | 1    |         |       |       |
| 029      | 324402-9  | RING 10                    |                    | 1    |         |       |       |
| 030      | 421955-0  | CUSHION RING 13            |                    | 1    |         |       |       |
| 031      | 324216-6  | O RING CASE                |                    | 1    |         |       |       |
| 032      | 213073-6  | O RING 9                   |                    | 1    |         |       |       |
| 033      | 233917-4  | RING SPRING 28             |                    | 1    |         |       |       |
| 034      | 324733-6  | STRIKER                    |                    | 1    |         |       |       |
| 035      | 213227-5  | O RING 16                  |                    | 1    |         |       |       |
| 036      | 318132-2  | PISTON CYLINDER            |                    | 1    |         |       |       |
|          |           |                            |                    |      |         |       |       |

|       |          |                             |   |   |   |  |
|-------|----------|-----------------------------|---|---|---|--|
| 037   | 267104-3 | FLAT WASHER 12              |   | 1 |   |  |
| 038   | 324215-8 | PISTON JOINT                |   | 1 |   |  |
| 039   | 267104-3 | FLAT WASHER 12              |   | 1 |   |  |
| 040   | 213727-5 | O-RING 63                   |   | 1 |   |  |
| 041   | 211012-0 | BALL BEARING 606ZZ          |   | 1 | * |  |
| 041-1 | 210028-2 | BALL BEARING 606ZZ          | O | 1 |   |  |
| 042   | 961003-8 | RETAINING RING S-7          |   | 1 |   |  |
| 043   | 233343-7 | COMPRESSION SPRING 7        |   | 1 |   |  |
| 044   | 331768-0 | CLUTCH CAM                  |   | 1 | * |  |
| 044-1 | 331992-5 | CLUTCH CAM                  | < | 1 |   |  |
| 045   | 324668-1 | CAM SHAFT                   |   | 1 |   |  |
| 046   | 219014-0 | SWASH BEARING 10            |   | 1 |   |  |
| 047   | 226550-9 | HELICAL GEAR 26             |   | 1 |   |  |
| 048   | 266273-7 | HEX. SOCKET HEAD BOLT M4X12 |   | 2 |   |  |
| 049   | 345179-3 | BEARING RETAINER            |   | 1 |   |  |
| 050   | 267234-0 | FLAT WASHER 8               |   | 1 |   |  |
| 051   | 211032-4 | BALL BEARING 608ZZ          |   | 1 | * |  |
| 051-1 | 210029-0 | BALL BEARING 608ZZ          | O | 1 |   |  |
| 052   | 324212-4 | RING 8                      |   | 1 |   |  |
| 053   | 961011-9 | STOP RING E-4               |   | 1 |   |  |
| 054   | 233342-9 | COMPRESSION SPRING 6        |   | 1 |   |  |
| 055   | 345363-0 | CHANGE PLATE                |   | 1 |   |  |
| 056   | 158215-4 | INNER HOUSING COMPLETE      |   | 1 | * |  |
| 056-1 | 141574-3 | INNER HOUSING COMPLETE      | S | 1 |   |  |
| 057   | 443126-9 | FELT                        |   | 1 | * |  |
| 058   | 213407-3 | O RING 26                   |   | 1 |   |  |
| 059   | 213994-2 | OIL SEAL 10                 |   | 1 | * |  |
| 059-1 | 213077-8 | OIL SEAL 10                 | O | 1 | * |  |
| 059-2 | 213A72-4 | OIL SEAL 10                 | O | 1 |   |  |
| 060   | 210059-1 | BALL BEARING 6000DDW        |   | 1 |   |  |
| 061   | 267213-8 | FLAT WASHER 10              |   | 1 |   |  |
| 062   | 240092-9 | FAN 64                      |   | 1 |   |  |
| 063   | 515789-2 | ARMATURE ASS'Y 240V         |   | 1 |   |  |
| D10   |          | INC. 60-62,64,65            |   |   |   |  |
| 064   | 681636-0 | INSULATION WASHER           |   | 1 |   |  |
| 065   | 211021-9 | BALL BEARING 607LLB         |   | 1 |   |  |
| 066   | 421494-0 | RUBBER RING 19              |   | 1 |   |  |
| 067   | 266334-3 | TAPPING SCREW 4X60          |   | 2 |   |  |
| 069   | 419716-0 | BAFFLE PLATE                |   | 1 |   |  |
| 070   | 633714-2 | FIELD 240V                  |   | 1 |   |  |
| 071   | 451246-5 | MOTOR HOUSING               |   | 1 |   |  |
| 072   | 866775-9 | HR2475 NAME PLATE           |   | 1 |   |  |
| 073   | 191962-4 | CARBON BRUSH CB-419         |   | 1 |   |  |
| 074   | 643936-6 | BRUSH HOLDER                |   | 2 |   |  |
| 075   | 650508-0 | SWITCH TG813TLB-1           |   | 1 |   |  |
| 076   | 814987-8 | HR2475 SERIAL NO. LABEL     |   | 1 |   |  |
| 077   | 682566-8 | CORD GUARD 10               |   | 1 |   |  |
| 078   | 665890-4 | POWER SUPPLY CORD 1.0-2-4.0 |   | 1 |   |  |
| 079   | 687124-5 | STRAIN RELIEF               |   | 1 |   |  |
| 080   | 265995-6 | TAPPING SCREW 4X18          |   | 2 |   |  |
| 081   | 645253-0 | NOISE SUPPRESSOR            |   | 1 |   |  |
| 082   | 451247-3 | HANDLE COVER                |   | 1 |   |  |

|       |          |                          |   |   |   |  |  |
|-------|----------|--------------------------|---|---|---|--|--|
| 083   | 265995-6 | TAPPING SCREW 4X18       |   | 5 |   |  |  |
| 085   | 961017-7 | STOP RING E-3            |   | 2 |   |  |  |
| 086   | 417796-0 | GUIDE BASE               |   | 1 |   |  |  |
| 087   | 233344-5 | COMPRESSION SPRING 4     |   | 2 |   |  |  |
| 088   | 266374-1 | TAPPING SCREW 4X25       |   | 2 |   |  |  |
| 089   | 163430-7 | LOCK PLATE COMPLETE      |   | 1 |   |  |  |
| 090   | 227179-4 | SPUR GEAR 10             |   | 1 |   |  |  |
| 091   | 941102-2 | FLAT WASHER 5            |   | 1 |   |  |  |
| 092   | 819365-7 | CLEAR LABEL              |   | 1 | * |  |  |
| 092-1 | 893037-2 | CLEAR LABEL              | < | 1 | * |  |  |
| 093   | 819366-5 | CLEAR LABEL              |   | 1 | * |  |  |
| 093-1 | 893073-8 | CLEAR LABEL              | < | 1 |   |  |  |
| 094   | 122881-3 | TOOL HOLDER ASS'Y        |   | 1 | * |  |  |
| D10   |          | INC. 20-23,25,27-33      |   |   |   |  |  |
| 094-1 | 123100-0 | TOOL HOLDER ASS'Y        | O | 1 |   |  |  |
| D10   |          | INC. 20-23,25,27-33      |   |   |   |  |  |
| A01   | 324219-0 | DEPTH GAUGE              |   | 1 |   |  |  |
| A02   | 824695-3 | PLASTIC CARRYING CASE    |   | 1 | * |  |  |
| C10   | 417724-5 | LATCH                    |   | 2 | * |  |  |
| C20   | 819144-3 | MAKITA LOGO LABEL        |   | 1 | * |  |  |
| C30   | 324319-6 | SHAFT                    |   | 1 | * |  |  |
| C40   | 417723-7 | HANDLE                   |   | 1 | * |  |  |
| A02-1 | 821843-5 | PLASTIC CASE             | < | 1 |   |  |  |
| C10   | 417724-5 | LATCH                    |   | 2 |   |  |  |
| C30   | 324319-6 | SHAFT                    |   | 1 |   |  |  |
| C40   | 417723-7 | HANDLE                   |   | 1 |   |  |  |
| B01   | 195109-2 | HAMMER SERVICE KIT       |   | 1 |   |  |  |
| C10   | 195127-0 | OIL VESSEL SET           |   | 2 |   |  |  |
| D10   |          | INC. 1,24,30,32,33,35,73 |   |   |   |  |  |
| F23   | 192349-3 | JOINT 25                 |   | 1 |   |  |  |
| F33   | 195127-0 | OIL VESSEL SET           |   | 1 |   |  |  |

Please state Parts No. when your order.

Print Date 03/01/2024