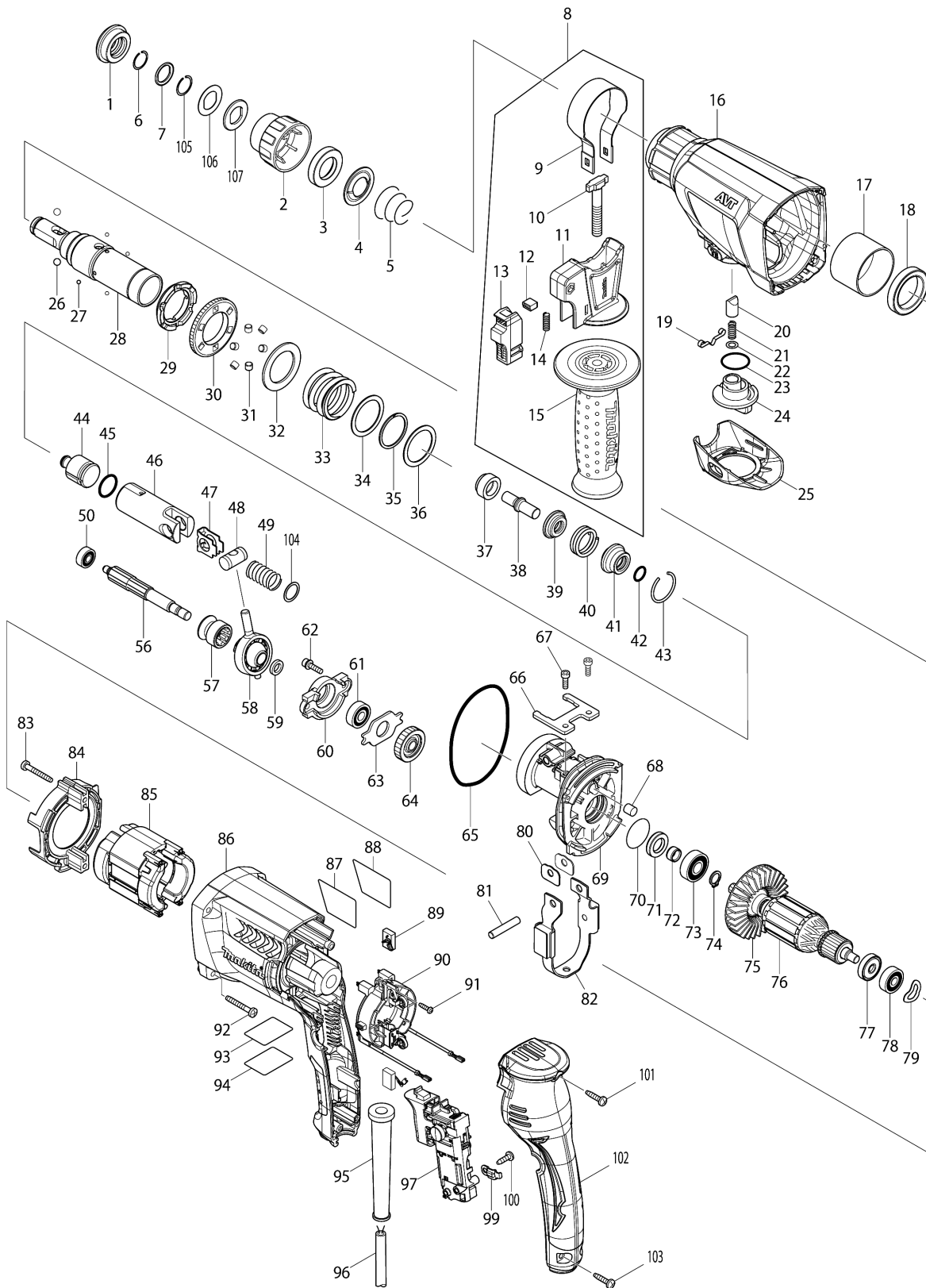


### Model No.HR2601 26MM ROTARY HAMMER



## Model No.HR2601 26MM ROTARY HAMMER

| Item   | Parts No. | Description                | I/C | Qty | New/Old | Opt. 1 | Opt. 2 | Note |
|--------|-----------|----------------------------|-----|-----|---------|--------|--------|------|
| 001    | 286288-8  | CAP 35                     |     | 1   |         |        |        |      |
| 002    | 451533-2  | CHUCK COVER                |     | 1   | *       |        |        |      |
| 002-1  | 455393-4  | CHUCK COVER                | S   | 1   |         |        |        |      |
| 003    | 325813-1  | RING 21                    |     | 1   |         |        |        |      |
| 004    | 346177-0  | GUIDE WASHER               |     | 1   |         |        |        |      |
| 005    | 233916-6  | CONICAL COMP. SPRING 21-29 |     | 1   |         |        |        |      |
| 006    | 233989-9  | RING SPRING 14             |     | 1   |         |        |        |      |
| 007    | 346221-3  | WASHER 16                  |     | 1   | *       |        |        |      |
| 007-1  | 346834-0  | WASHER 16                  | S   | 1   |         |        |        |      |
| 008    | 122878-2  | GRIP ASSEMBLY              |     | 1   | *       |        |        |      |
| D10    |           | INC. 9-15                  |     |     | *       |        |        |      |
| 008-1  | 127293-5  | GRIP ASSEMBLY              | O   | 1   | *       |        |        |      |
| D10    |           | INC. 9-15                  |     |     | *       |        |        |      |
| 008-2  | 122878-2  | GRIP ASSEMBLY              | O   | 1   |         |        |        |      |
| D10    |           | INC. 9-15                  |     |     |         |        |        |      |
| 009    | 346181-9  | GRIP SPRING 50             |     | 1   |         |        |        |      |
| 010    | 266349-0  | SQUARE BOLT M8X50          |     | 1   |         |        |        |      |
| 011    | 451539-0  | GRIP BASE                  |     | 1   |         |        |        |      |
| 012A   | 313179-1  | RACK                       |     | 1   | *       |        |        |      |
| 013A   | 451540-5  | LOCK BUTTON                |     | 1   | *       |        |        |      |
| 013-1A | 141765-6  | LOCK BUTTON COMPLETE       | S   | 1   |         |        |        |      |
| 013-1B | 141765-6  | LOCK BUTTON COMPLETE       |     | 1   |         |        |        |      |
| 014    | 233360-7  | COMPRESSION SPRING 4       |     | 1   |         |        |        |      |
| 015    | 154935-8  | GRIP 36 COMPLETE           |     | 1   |         |        |        |      |
| 016    | 140268-7  | GEAR HOUSING COMPLETE      |     | 1   |         |        |        |      |
| C10    | 213345-9  | OIL SEAL 25                |     | 1   |         |        |        |      |
| 017    | 331890-3  | CUP SLEEVE                 |     | 1   |         |        |        |      |
| 018    | 211294-4  | BALL BEARING 6806LLU       |     | 1   |         |        |        |      |
| 019    | 232152-1  | LEAF SPRING                |     | 1   |         |        |        |      |
| 020    | 325785-0  | PUSH CORN                  |     | 1   |         |        |        |      |
| 021    | 234147-0  | COMPRESSION SPRING 5       |     | 1   |         |        |        |      |
| 022    | 253308-3  | THIN WASHER 6              |     | 1   |         |        |        |      |
| 023    | 213381-5  | O RING 21                  |     | 1   |         |        |        |      |
| 024    | 451531-6  | CHANGE LEVER B             |     | 1   |         |        |        |      |
| 025    | 451532-4  | CHANGE LEVER COVER B       |     | 1   |         |        |        |      |
| 026    | 216022-2  | STEEL BALL 7.0             |     | 2   |         |        |        |      |
| 027    | 216019-1  | STEEL BALL 3               |     | 4   | *       |        |        |      |
| 027-1  | 216061-2  | STEEL BALL 3               | O   | 4   |         |        |        |      |
| 028    | 140265-3  | TOOL HOLDER COMPLETE       |     | 1   | *       |        |        |      |
| 028-1  | 142972-4  | TOOL HOLDER COMPLETE       | <   | 1   |         |        |        |      |
| 029    | 313149-0  | DRIVING FLANGE             |     | 1   | *       |        |        |      |
| 029-1  | 332139-4  | DRIVING FLANGE             | S   | 1   |         |        |        |      |
| 030    | 227232-6  | SPUR GEAR 51               |     | 1   | *       |        |        |      |
| 030-1  | 227360-7  | SPUR GEAR 51               | S   | 1   |         |        |        |      |
| 031    | 268226-2  | PIN 6                      |     | 6   | *       |        |        |      |

Please order the parts with part number.

Print Date 24/10/2023

## Model No.HR2601 26MM ROTARY HAMMER

| Item   | Parts No. | Description                    | I/C | Qty | New/Old | Opt. 1 | Opt. 2 | Note |
|--------|-----------|--------------------------------|-----|-----|---------|--------|--------|------|
| 032    | 267414-8  | FLAT WASHER 30                 |     | 1   | *       |        |        |      |
| 033    | 234148-8  | COMPRESSION SPRING 31          |     | 1   |         |        |        |      |
| 034    | 267153-0  | FLAT WASHER 30                 |     | 1   |         |        |        |      |
| 035    | 257932-4  | SPIRO LOCK WASHER 30           |     | 1   |         |        |        |      |
| 036    | 267153-0  | FLAT WASHER 30                 |     | 1   |         |        |        |      |
| 037    | 325783-4  | SLEEVE 9B                      |     | 1   |         |        |        |      |
| 038    | 325789-2  | IMPACT BOLT A                  |     | 1   |         |        |        |      |
| 039    | 325792-3  | WASHER 10                      |     | 1   |         |        |        |      |
| 040    | 234149-6  | COMPRESSION SPRING 20          |     | 1   |         |        |        |      |
| 041    | 325793-1  | O-RING CASE B                  |     | 1   |         |        |        |      |
| 042    | 213073-6  | O RING 9                       |     | 1   |         |        |        |      |
| 043    | 233979-2  | RING SPRING 28                 |     | 1   |         |        |        |      |
| 044    | 325784-2  | STRIKER                        |     | 1   |         |        |        |      |
| 045    | 213258-4  | O RING 17.5                    |     | 1   |         |        |        |      |
| 046    | 310345-1  | PISTON CYLINDER                |     | 1   |         |        |        |      |
| 047    | 346036-8  | GUIDE PLATE                    |     | 1   |         |        |        |      |
| 048    | 324215-8  | PISTON JOINT                   |     | 1   |         |        |        |      |
| 049    | 234098-7  | COMPRESSION SPRING 14          |     | 1   |         |        |        |      |
| 050    | 211012-0  | BALL BEARING 606ZZ             |     | 1   | *       |        |        |      |
| 050-1  | 210028-2  | BALL BEARING 606ZZ             | O   | 1   |         |        |        |      |
| 056    | 227243-1  | SPUR GEAR 10                   |     | 1   |         |        |        |      |
| 057    | 331815-7  | CLUTCH CAM B                   |     | 1   |         |        |        |      |
| 058    | 219020-5  | SWASH BEARING 10               |     | 1   |         |        |        |      |
| 059    | 267234-0  | FLAT WASHER 8                  |     | 1   |         |        |        |      |
| 060    | 310344-3  | BEARING BOX                    |     | 1   |         |        |        |      |
| 061    | 211032-4  | BALL BEARING 608ZZ             |     | 1   | *       |        |        |      |
| 061-1  | 210223-4  | BALL BEARING 608ZZ             | O   | 1   |         |        |        |      |
| 062    | 266437-3  | HEX. SOCKET HEAD BOLT<br>M4X16 |     | 2   |         |        |        |      |
| 063    | 285735-6  | BEARING RETAINER               |     | 1   |         |        |        |      |
| 064    | 227719-8  | HELICAL GEAR 26                |     | 1   |         |        |        |      |
| 065    | 213728-3  | O-RING 68                      |     | 1   |         |        |        |      |
| 066    | 346222-1  | PLATE                          |     | 1   |         |        |        |      |
| 067    | 265353-6  | HEX. SOCKET HEAD BOLT<br>M4X12 |     | 2   |         |        |        |      |
| 068A   | 443153-6  | FELT                           |     | 1   | *       |        |        |      |
| 069A   | 140267-9  | INNER HOUSING COMPLETE         |     | 1   | *       |        |        |      |
| 069-1A | 141573-5  | INNER HOUSING COMPLETE         | S   | 1   | *       |        |        |      |
| 069-2A | 141573-5  | INNER HOUSING COMPLETE         | O   | 1   |         |        |        |      |
| 069-2B | 141573-5  | INNER HOUSING COMPLETE         |     | 1   |         |        |        |      |
| 070    | 213407-3  | O RING 26                      |     | 1   |         |        |        |      |
| 071A   | 213133-4  | OIL SEAL 12                    |     | 1   | *       |        |        |      |
| 071-1A | 213678-2  | OIL SEAL 12                    | O   | 1   |         |        |        |      |
| 071-1B | 213678-2  | OIL SEAL 12                    |     | 1   |         |        |        |      |
| 072    | 262569-4  | SLEEVE 9                       |     | 1   | *       |        |        |      |
| 072-1  | 262207-8  | SLEEVE 9                       | O   | 1   |         |        |        |      |

Please order the parts with part number.

Print Date 24/10/2023

## Model No.HR2601 26MM ROTARY HAMMER

| Item  | Parts No. | Description                 | I/C | Qty | New/Old | Opt. 1 | Opt. 2 | Note |
|-------|-----------|-----------------------------|-----|-----|---------|--------|--------|------|
| 073   | 211097-6  | BALL BEARING 6000LLB        |     | 1   |         |        |        |      |
| 074   | 961006-2  | RETAINING RING S-10         |     | 1   |         |        |        |      |
| 075   | 240121-8  | FAN 65                      |     | 1   |         |        |        |      |
| 076   | 515359-7  | ARMATURE ASSEMBLY 240V      |     | 1   |         |        |        |      |
| D10   |           | INC. 72-75,77,78            |     |     |         |        |        |      |
| 077   | 681652-2  | INSULATION WASHER           |     | 1   |         |        |        |      |
| 078   | 210023-2  | BALL BEARING 627DDW         |     | 1   |         |        |        |      |
| 079   | 267804-5  | WAVE WASHER 15              |     | 1   |         |        |        |      |
| 080   | 346180-1  | WEIGHT HOLDER GUIDE         |     | 2   |         |        |        |      |
| 081   | 256246-8  | PIN 6                       |     | 1   |         |        |        |      |
| 082   | 165593-5  | COUNTER WEIGHT              |     | 1   |         |        |        |      |
| 083   | 266361-0  | TAPPING SCREW 4X30          |     | 2   | *       |        |        |      |
| 083-1 | 265B70-0  | TAPPING SCREW 4X30          | O   | 2   |         |        |        |      |
| 084   | 451527-7  | BAFFLE PLATE                |     | 1   |         |        |        |      |
| 085   | 626634-7  | FIELD 240V                  |     | 1   |         |        |        |      |
| 086   | 451536-6  | MOTOR HOUSING               |     | 1   |         |        |        |      |
| 087   | 867682-9  | HR2601 NAME PLATE           |     | 1   |         |        |        |      |
| 088   | 819390-8  | CLEAR LABEL                 |     | 1   | *       |        |        |      |
| 088-1 | 816R90-9  | CLEAR LABEL                 | O   | 1   | *       |        |        |      |
| 089   | 194074-2  | CARBON BRUSH CB-325         |     | 1   |         |        |        |      |
| 090   | 638655-7  | BRUSH HOLDER UNIT           |     | 1   |         |        |        |      |
| 091   | 266556-5  | TAPPING SCREW 3X12          |     | 2   |         |        |        |      |
| 092   | 266361-0  | TAPPING SCREW 4X30          |     | 4   | *       |        |        |      |
| 092-1 | 265B70-0  | TAPPING SCREW 4X30          | O   | 4   |         |        |        |      |
| 093   | 867685-3  | HR2601 SERIAL NO.LABEL      |     | 1   |         |        |        |      |
| 094   | 819389-3  | CLEAR LABEL                 |     | 1   | *       |        |        |      |
| 094-1 | 816R89-4  | CLEAR LABEL                 | O   | 1   | *       |        |        |      |
| 095   | 682566-8  | CORD GUARD 10               |     | 1   |         |        |        |      |
| 096   | 665890-4  | POWER SUPPLY CORD 1.0-2-4.0 |     | 1   |         |        |        |      |
| 097   | 650625-6  | SWITCH                      |     | 1   | *       |        |        |      |
| 097-1 | 651090-2  | SWITCH TG853TB-3            | O   | 1   |         |        |        |      |
| 099   | 687682-1  | STRAIN RELIEF               |     | 1   |         |        |        |      |
| 100   | 266385-6  | TAPPING SCREW 4X14          |     | 1   | *       |        |        |      |
| 100-1 | 265B74-2  | TAPPING SCREW 4X14          | O   | 1   |         |        |        |      |
| 101   | 266326-2  | TAPPING SCREW 4X18          |     | 1   | *       |        |        |      |
| 101-1 | 265B67-9  | TAPPING SCREW 4X18          | O   | 1   |         |        |        |      |
| 102   | 451528-5  | HANDLE COVER                |     | 1   |         |        |        |      |
| 103   | 266326-2  | TAPPING SCREW 4X18          |     | 2   | *       |        |        |      |
| 103-1 | 265B67-9  | TAPPING SCREW 4X18          | O   | 2   |         |        |        |      |
| 104   | 267447-3  | FLAT WASHER 14              |     | 1   |         |        |        |      |
| 105   | 233992-0  | RING SPRING 15              |     | 1   |         |        |        |      |
| 106   | 267437-6  | FLAT WASHER 17              |     | 1   | *       |        |        |      |
| 106-1 | 267114-0  | FLAT WASHER 17              | S   | 1   |         |        |        |      |
| 107   | 424364-2  | RUBBER WASHER 16            |     | 1   | *       |        |        |      |
| A01   | 331886-4  | DEPTH GAUGE                 |     | 1   |         |        |        |      |

Please order the parts with part number.

Print Date 24/10/2023

## Model No.HR2601 26MM ROTARY HAMMER

| Item   | Parts No. | Description                    | I/C | Qty | New/Old | Opt. 1 | Opt. 2 | Note |
|--------|-----------|--------------------------------|-----|-----|---------|--------|--------|------|
| A02A   | 824913-9  | PLASTIC CARRYING CASE          |     | 1   | *       |        |        |      |
| C10    | 162302-3  | LATCH                          |     | 2   | *       |        |        |      |
| C20    | 324207-7  | SHAFT                          |     | 1   | *       |        |        |      |
| C30    | 451749-9  | HANDLE                         |     | 1   | *       |        |        |      |
| A02B   | 821550-0  | CONNECTOR PLASTIC CASE (TYPE2) |     | 1   |         |        |        |      |
| C10    | 453974-8  | LATCH                          |     | 4   |         |        |        |      |
| A02-1A | 821774-8  | PLASTIC CASE                   | O   | 1   | *       |        |        |      |
| C10    | 162302-3  | LATCH                          |     | 2   | *       |        |        |      |
| C20    | 324207-7  | SHAFT                          |     | 1   | *       |        |        |      |
| C30    | 451749-9  | HANDLE                         |     | 1   | *       |        |        |      |
| A02-2A | 821775-6  | PLASTIC CASE                   | O   | 1   |         |        |        |      |
| C10    | 162302-3  | LATCH                          |     | 2   |         |        |        |      |
| C20    | 324207-7  | SHAFT                          |     | 1   |         |        |        |      |
| C30    | 451749-9  | HANDLE                         |     | 1   |         |        |        |      |
| A03A   | 816430-3  | HR2601 PLASTIC CASE LABEL      |     | 2   | *       |        |        |      |
| A03B   | 802P00-0  | HR2601J PLASTIC CASE LABEL     |     | 2   | *       |        |        |      |
| A03-1A | 816V94-5  | HR2601 PLASTIC CASE LABEL      | X   | 2   |         |        |        |      |
| A03-1B | 816V97-9  | HR2601J PLASTIC CASE LABEL     | X   | 2   |         |        |        |      |
| A04B   | 802N99-3  | HR2601J INDICATION LABEL       |     | 1   | *       |        |        |      |
| A04-1B | 816V96-1  | HR2601J INDICATION LABEL       | O   | 1   |         |        |        |      |
| A05B   | 837651-4  | INNER TRAY                     |     | 1   |         |        |        |      |
| A07B   | 198993-4  | GREASE VESSEL SET              |     | 1   |         |        |        |      |
| B01    | 195107-6  | HAMMER SERVICE KIT             |     | 1   |         |        |        |      |
| C10    | 195127-0  | OIL VESSEL SET                 |     | 2   |         |        |        |      |
| D10    |           | INC. 1,6,26,42,43,45,89,105,   |     |     |         |        |        |      |
| D20    |           | INC. 107                       |     |     |         |        |        |      |
| F32    | 195127-0  | OIL VESSEL SET                 |     | 1   |         |        |        |      |

Please order the parts with part number.

Print Date 24/10/2023