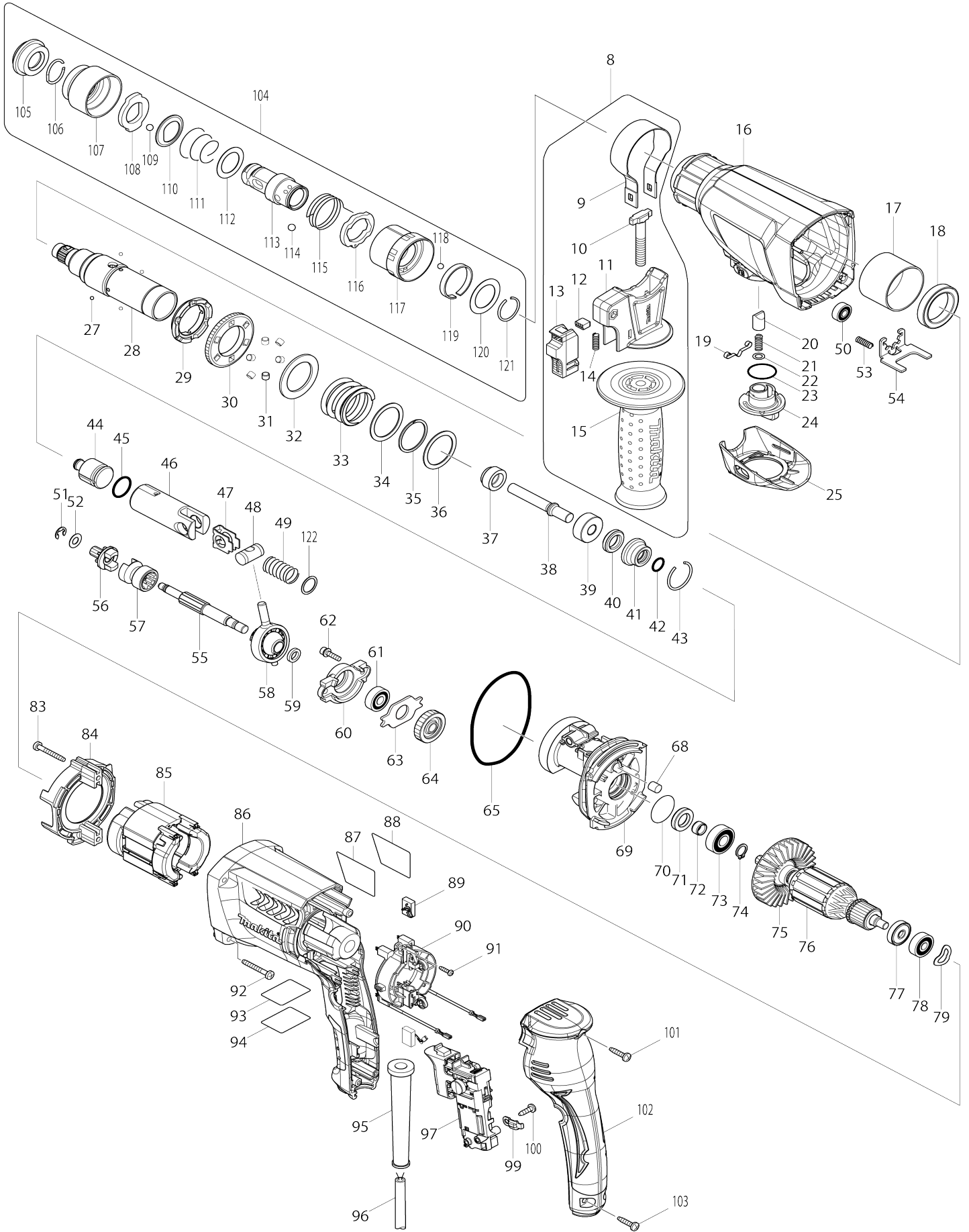


Model No.HR2610T 26MM COMBINATION HAMMER



050-1	210028-2	BALL BEARING 606ZZ	O	1		
051-1	257336-0	STOP RING EXT U-6		1		
052-1	253186-1	FLAT WASHER 7		1		
053	233360-7	COMPRESSION SPRING 4		1		
054	346176-2	LOCK PLATE		1		
055	325786-8	CAM SHAFT		1		
056	227231-8	SPUR GEAR 10		1		
057	331814-9	CLUTCH CAM A		1	*	
057-1	326849-3	CLUTCH CAM A	S	1		
058	219020-5	SWASH BEARING 10		1		
059	267234-0	FLAT WASHER 8		1		
060	310344-3	BEARING BOX		1		
061	211032-4	BALL BEARING 608ZZ		1		
062	266437-3	HEX. SOCKET HEAD BOLT M4X16		2		
063	285735-6	BEARING RETAINER		1		
064	227719-8	HELICAL GEAR 26		1		
065	213728-3	O-RING 68		1		
069-1	141572-7	INNER HOUSING COMPLETE		1	*	
069-2	141572-7	INNER HOUSING COMPLETE	O	1		
070	213407-3	O RING 26		1		
071-1	213678-2	OIL SEAL 12		1		
072	262569-4	SLEEVE 9		1	*	
072-1	262207-8	SLEEVE 9	O	1		
073	211097-6	BALL BEARING 6000LLB		1		
074	961006-2	RETAINING RING S-10		1		
075	240121-8	FAN 65		1		
076	515359-7	ARMATURE ASSEMBLY 240V		1		
D10		INC. 72-75,77,78				
077	681652-2	INSULATION WASHER		1		
078	210023-2	BALL BEARING 627DDW		1		
079	267804-5	WAVE WASHER 15		1		
083	266361-0	TAPPING SCREW 4X30		2		
084	451527-7	BAFFLE PLATE		1		
085	626634-7	FIELD 240V		1		
086	451536-6	MOTOR HOUSING		1		
087	867711-8	HR2610T NAME PLATE		1		
088	819390-8	CLEAR LABEL		1		
089	194074-2	CARBON BRUSH CB-325		1		
090	638655-7	BRUSH HOLDER UNIT		1		
091	266556-5	TAPPING SCREW 3X12		2		
092	266361-0	TAPPING SCREW 4X30		4		
093	867714-2	HR2610T SERIAL NO.LABEL		1		
094	819389-3	CLEAR LABEL		1		
095	682566-8	CORD GUARD 10		1		
096	665890-4	POWER SUPPLY CORD 1.0-2-4.0		1		
097	650625-6	SWITCH		1	*	
097-1	651090-2	SWITCH TG853TB-3	O	1		
099	687682-1	STRAIN RELIEF		1		
100	266385-6	TAPPING SCREW 4X14		1		
101	266326-2	TAPPING SCREW 4X18		1		
102	451528-5	HANDLE COVER		1		
103	266326-2	TAPPING SCREW 4X18		2		

104	194080-7	TOOL HOLDER SET		1		
D10		INC. 105-121				
105	286263-4	CAP 35		1		
106	233940-9	RING SPRING 19		1		
107	418217-5	CHUCK COVER		1		
108	345333-9	STOPPER		1		
109	216022-2	STEEL BALL 7.0		1		
110	345187-4	GUIDE WASHER		1		
111	233916-6	CONICAL COMP. SPRING 21-29		1		
112	267279-8	FLAT WASHER 21		1		
113	324355-2	TOOL HOLDER		1		
114	216013-3	STEEL BALL 6		2		
115	231669-1	TORSION SPRING 31		1		
116	345334-7	CHANGE RING		1		
117	418218-3	CHANGE COVER		1		
118	216018-3	STEEL BALL 5.0		1		
119	345335-5	LEAF SPRING		1		
120	267270-6	FLAT WASHER 24		1		
121	233924-7	RING SPRING 21		1		
122	267447-3	FLAT WASHER 14		1		
A01	331886-4	DEPTH GAUGE		1		
A02	140404-5	PLASTIC CASE COMPLETE		1		
C10	162302-3	LATCH		2		
C20	324319-6	SHAFT		1		
C30	451749-9	HANDLE		1		
C40	816938-7	INDICATION LABEL		1		
A03	816984-0	HR2610T PLASTIC CASE LABEL		2		
A04	194079-2	DRILL CHUCK SET		1	*	
A04-1	194079-2	DRILL CHUCK SET	<	1		
F34	195127-0	OIL VESSEL SET		1		
A02	142455-4	CONNECTOR P.CASE(TYPE2) CO MP		1		
C10	453974-8	LATCH		4		
C20	802590-1	INDICATION LABEL		1		
A03	802527-8	HR2610TJ PLASTIC CASE LABEL		2		
A07	802526-0	HR2610TJ INDICATION LABEL		1		
A08	837914-8	INNER TRAY		1		

Please state Parts No. when your order.

Print Date 24.10.2023