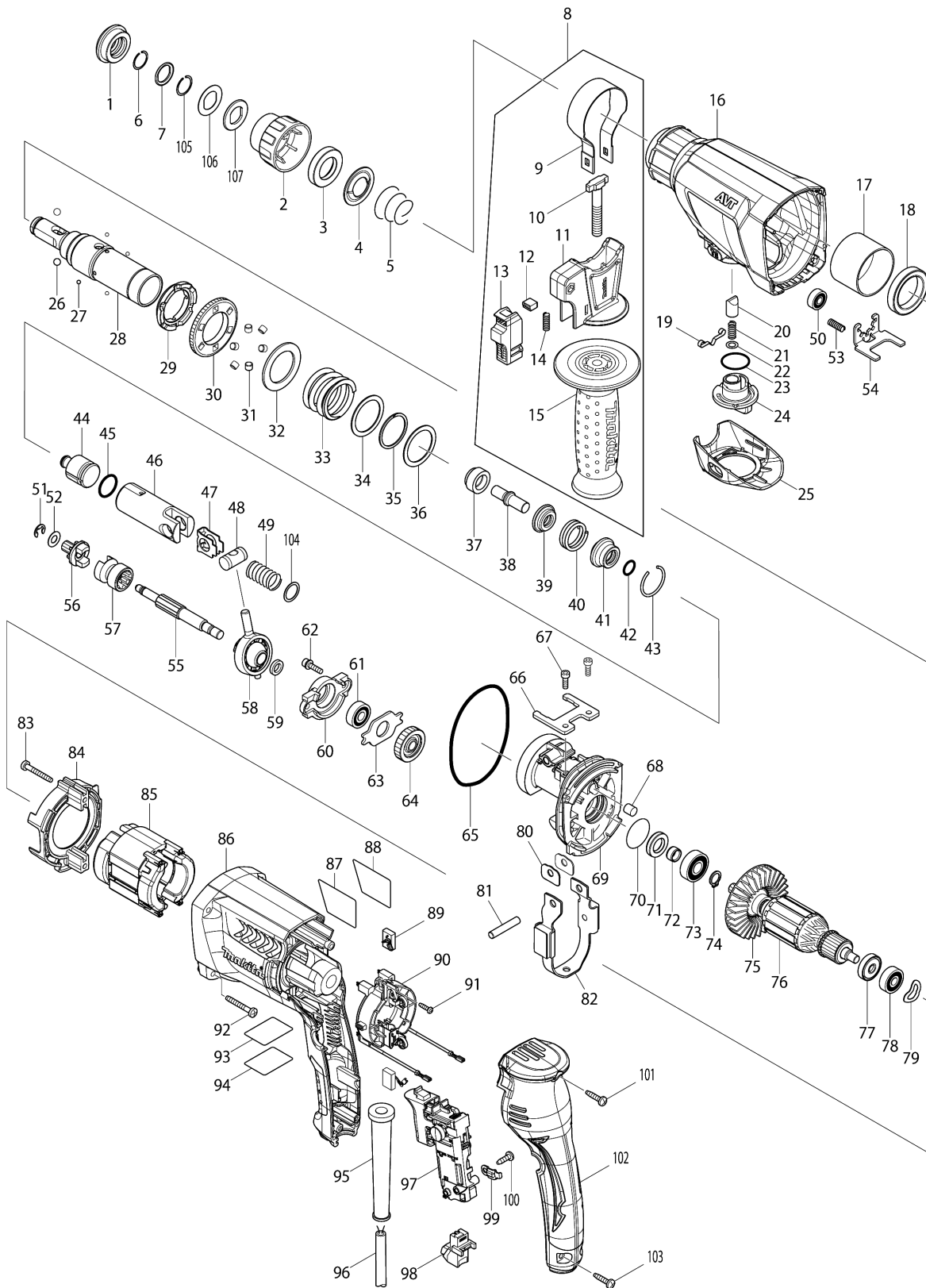


Model No.HR2611F 26MM COMBINATION HAMMER



Model No.HR2611F 26MM COMBINATION HAMMER

| Item | Parts No. | Description | I/C | Qty | New/Old | Opt. 1 | Opt. 2 | Note |
|--------|-----------|----------------------------|-----|-----|---------|--------|--------|------|
| 001 | 286288-8 | CAP 35 | | 1 | | | | |
| 002 | 451533-2 | CHUCK COVER | | 1 | | | | |
| 003 | 325813-1 | RING 21 | | 1 | | | | |
| 004 | 346177-0 | GUIDE WASHER | | 1 | | | | |
| 005 | 233916-6 | CONICAL COMP. SPRING 21-29 | | 1 | | | | |
| 006 | 233989-9 | RING SPRING 14 | | 1 | | | | |
| 007 | 346221-3 | WASHER 16 | | 1 | | | | |
| 008 | 122878-2 | GRIP ASSEMBLY | | 1 | | | | |
| D10 | | INC. 9-15 | | | | | | |
| 009 | 346181-9 | GRIP SPRING 50 | | 1 | | | | |
| 010 | 266349-0 | SQUARE BOLT M8X50 | | 1 | | | | |
| 011 | 451539-0 | GRIP BASE | | 1 | | | | |
| 012A | 313179-1 | RACK | | 1 | * | | | |
| 013A | 451540-5 | LOCK BUTTON | | 1 | * | | | |
| 013-1A | 141765-6 | LOCK BUTTON COMPLETE | S | 1 | | | | |
| 013-1B | 141765-6 | LOCK BUTTON COMPLETE | | 1 | | | | |
| 014 | 233360-7 | COMPRESSION SPRING 4 | | 1 | | | | |
| 015 | 154935-8 | GRIP 36 COMPLETE | | 1 | | | | |
| 016 | 140423-1 | GEAR HOUSING COMPLETE | | 1 | | | | |
| C10 | 213636-8 | OIL SEAL 25 | | 1 | | | | |
| C20 | 816445-0 | INDICATION LABEL | | 1 | | | | |
| 017 | 331890-3 | CUP SLEEVE | | 1 | | | | |
| 018 | 211294-4 | BALL BEARING 6806LLU | | 1 | | | | |
| 019 | 232152-1 | LEAF SPRING | | 1 | | | | |
| 020 | 325785-0 | PUSH CORN | | 1 | * | | | |
| 020-1 | 326850-8 | PUSH CORN | S | 1 | | | | |
| 021 | 234147-0 | COMPRESSION SPRING 5 | | 1 | | | | |
| 022 | 253308-3 | THIN WASHER 6 | | 1 | | | | |
| 023 | 213381-5 | O RING 21 | | 1 | | | | |
| 024 | 451529-3 | CHANGE LEVER A | | 1 | | | | |
| 025 | 451530-8 | CHANGE LEVER COVER A | | 1 | | | | |
| 026 | 216022-2 | STEEL BALL 7.0 | | 2 | | | | |
| 027 | 216019-1 | STEEL BALL 3 | | 4 | | | | |
| 028 | 140265-3 | TOOL HOLDER COMPLETE | | 1 | | | | |
| 029 | 313149-0 | DRIVING FLANGE | | 1 | * | | | |
| 029-1 | 332139-4 | DRIVING FLANGE | S | 1 | | | | |
| 030 | 227232-6 | SPUR GEAR 51 | | 1 | * | | | |
| 030-1 | 227360-7 | SPUR GEAR 51 | S | 1 | | | | |
| 031 | 268226-2 | PIN 6 | | 6 | * | | | |
| 032 | 267414-8 | FLAT WASHER 30 | | 1 | * | | | |
| 033 | 234148-8 | COMPRESSION SPRING 31 | | 1 | | | | |
| 034 | 267153-0 | FLAT WASHER 30 | | 1 | | | | |
| 035 | 257932-4 | SPIRO LOCK WASHER 30 | | 1 | | | | |
| 036 | 267153-0 | FLAT WASHER 30 | | 1 | | | | |
| 037 | 325783-4 | SLEEVE 9B | | 1 | | | | |

Please order the parts with part number.

Print Date 24/10/2023

Model No.HR2611F 26MM COMBINATION HAMMER

| Item | Parts No. | Description | I/C | Qty | New/Old | Opt. 1 | Opt. 2 | Note |
|--------|-----------|--------------------------------|-----|-----|---------|--------|--------|------|
| 038 | 325789-2 | IMPACT BOLT A | | 1 | | | | |
| 039 | 325792-3 | WASHER 10 | | 1 | | | | |
| 040 | 234149-6 | COMPRESSION SPRING 20 | | 1 | | | | |
| 041 | 325793-1 | O-RING CASE B | | 1 | | | | |
| 042 | 213073-6 | O RING 9 | | 1 | | | | |
| 043 | 233979-2 | RING SPRING 28 | | 1 | | | | |
| 044 | 325784-2 | STRIKER | | 1 | | | | |
| 045 | 213258-4 | O RING 17.5 | | 1 | | | | |
| 046 | 310345-1 | PISTON CYLINDER | | 1 | | | | |
| 047 | 346036-8 | GUIDE PLATE | | 1 | | | | |
| 048 | 324215-8 | PISTON JOINT | | 1 | | | | |
| 049 | 234098-7 | COMPRESSION SPRING 14 | | 1 | | | | |
| 050 | 211012-0 | BALL BEARING 606ZZ | | 1 | * | | | |
| 050-1 | 210028-2 | BALL BEARING 606ZZ | O | 1 | | | | |
| 051A | 961012-7 | STOP RING E-6 | | 1 | * | | | |
| 051-1A | 257336-0 | STOP RING EXT U-6 | S | 1 | | | | |
| 051-1B | 257336-0 | STOP RING EXT U-6 | | 1 | | | | |
| 052A | 267449-9 | FLAT WASHER 7 | | 1 | * | | | |
| 052-1A | 253186-1 | FLAT WASHER 7 | S | 1 | | | | |
| 052-1B | 253186-1 | FLAT WASHER 7 | | 1 | | | | |
| 053 | 233360-7 | COMPRESSION SPRING 4 | | 1 | | | | |
| 054 | 346176-2 | LOCK PLATE | | 1 | | | | |
| 055 | 325786-8 | CAM SHAFT | | 1 | | | | |
| 056 | 227231-8 | SPUR GEAR 10 | | 1 | | | | |
| 057 | 331814-9 | CLUTCH CAM A | | 1 | * | | | |
| 057-1 | 326849-3 | CLUTCH CAM A | S | 1 | | | | |
| 058 | 219020-5 | SWASH BEARING 10 | | 1 | | | | |
| 059 | 267234-0 | FLAT WASHER 8 | | 1 | | | | |
| 060 | 310344-3 | BEARING BOX | | 1 | | | | |
| 061 | 211032-4 | BALL BEARING 608ZZ | | 1 | | | | |
| 062 | 266437-3 | HEX. SOCKET HEAD BOLT M4X16 | | 2 | | | | |
| 063 | 285735-6 | BEARING RETAINER | | 1 | | | | |
| 064 | 227719-8 | HELICAL GEAR 26 | | 1 | | | | |
| 065 | 213728-3 | O-RING 68 | | 1 | | | | |
| 066 | 346222-1 | PLATE | | 1 | | | | |
| 067 | 265353-6 | HEX. SOCKET HEAD BOLT M4X12 | | 2 | | | | |
| 068A | 443153-6 | FELT | | 1 | * | | | |
| 069A | 140267-9 | INNER HOUSING COMPLETE | | 1 | * | | | |
| 069-1A | 141573-5 | INNER HOUSING COMPLETE | S | 1 | * | | | |
| 069-2A | 141573-5 | INNER HOUSING COMPLETE | O | 1 | | | | |
| 069-2B | 141573-5 | INNER HOUSING COMPLETE | | 1 | | | | |
| 070 | 213407-3 | O RING 26 | | 1 | | | | |
| 071A | 213133-4 | OIL SEAL 12 | | 1 | * | | | |
| 071-1A | 213678-2 | OIL SEAL 12 | O | 1 | | | | |

Please order the parts with part number.

Print Date 24/10/2023

Model No.HR2611F 26MM COMBINATION HAMMER

| Item | Parts No. | Description | I/C | Qty | New/Old | Opt. 1 | Opt. 2 | Note |
|--------|-----------|-----------------------------|-----|-----|---------|--------|--------|------|
| 071-1B | 213678-2 | OIL SEAL 12 | | 1 | | | | |
| 072 | 262569-4 | SLEEVE 9 | | 1 | * | | | |
| 072-1 | 262207-8 | SLEEVE 9 | O | 1 | | | | |
| 073 | 211097-6 | BALL BEARING 6000LLB | | 1 | | | | |
| 074 | 961006-2 | RETAINING RING S-10 | | 1 | | | | |
| 075 | 240121-8 | FAN 65 | | 1 | | | | |
| 076 | 515359-7 | ARMATURE ASSEMBLY 240V | | 1 | | | | |
| D10 | | INC. 72-75,77,78 | | | | | | |
| 077 | 681652-2 | INSULATION WASHER | | 1 | | | | |
| 078 | 210023-2 | BALL BEARING 627DDW | | 1 | | | | |
| 079 | 267804-5 | WAVE WASHER 15 | | 1 | | | | |
| 080 | 346180-1 | WEIGHT HOLDER GUIDE | | 2 | | | | |
| 081 | 256246-8 | PIN 6 | | 1 | | | | |
| 082 | 165593-5 | COUNTER WEIGHT | | 1 | | | | |
| 083 | 266361-0 | TAPPING SCREW 4X30 | | 2 | | | | |
| 084 | 451527-7 | BAFFLE PLATE | | 1 | | | | |
| 085 | 626634-7 | FIELD 240V | | 1 | | | | |
| 086 | 451535-8 | MOTOR HOUSING | | 1 | | | | |
| 087 | 867729-9 | HR2611F NAME PLATE | | 1 | | | | |
| 088 | 819390-8 | CLEAR LABEL | | 1 | | | | |
| 089 | 194074-2 | CARBON BRUSH CB-325 | | 1 | | | | |
| 090 | 638655-7 | BRUSH HOLDER UNIT | | 1 | | | | |
| 091 | 266556-5 | TAPPING SCREW 3X12 | | 2 | | | | |
| 092 | 266361-0 | TAPPING SCREW 4X30 | | 4 | | | | |
| 093 | 867733-8 | HR2611F SERIAL NO.LABEL | | 1 | | | | |
| 094 | 819389-3 | CLEAR LABEL | | 1 | | | | |
| 095 | 682566-8 | CORD GUARD 10 | | 1 | | | | |
| 096 | 665890-4 | POWER SUPPLY CORD 1.0-2-4.0 | | 1 | | | | |
| 097 | 650625-6 | SWITCH | | 1 | * | | | |
| 097-1 | 651090-2 | SWITCH TG853TB-3 | O | 1 | | | | |
| 098 | 631937-6 | LIGHT CIRCUIT | | 1 | | | | |
| 099 | 687682-1 | STRAIN RELIEF | | 1 | | | | |
| 100 | 266385-6 | TAPPING SCREW 4X14 | | 1 | | | | |
| 101 | 266326-2 | TAPPING SCREW 4X18 | | 1 | | | | |
| 102 | 451528-5 | HANDLE COVER | | 1 | | | | |
| 103 | 266326-2 | TAPPING SCREW 4X18 | | 2 | | | | |
| 104 | 267447-3 | FLAT WASHER 14 | | 1 | | | | |
| 105 | 233992-0 | RING SPRING 15 | | 1 | | | | |
| 106 | 267437-6 | FLAT WASHER 17 | | 1 | | | | |
| 107 | 424364-2 | RUBBER WASHER 16 | | 1 | | | | |
| A01 | 331886-4 | DEPTH GAUGE | | 1 | | | | |
| A02A | 140401-1 | PLASTIC CASE COMPLETE | | 1 | * | | | |
| C10 | 162302-3 | LATCH | | 2 | * | | | |
| C20 | 324207-7 | SHAFT | | 1 | * | | | |
| C30 | 451749-9 | HANDLE | | 1 | * | | | |

Please order the parts with part number.

Print Date 24/10/2023

Model No.HR2611F 26MM COMBINATION HAMMER

| Item | Parts No. | Description | I/C | Qty | New/Old | Opt. 1 | Opt. 2 | Note |
|--------|-----------|---------------------------------|-----|-----|---------|--------|--------|------|
| C40 | 816938-7 | INDICATION LABEL | | 1 | * | | | |
| A02B | 142455-4 | CONNECTOR P.CASE(TYPE2) COMP | | 1 | | | | |
| C10 | 453974-8 | LATCH | | 4 | | | | |
| C20 | 802S90-1 | INDICATION LABEL | | 1 | | | | |
| A02-1A | 140402-9 | PLASTIC CASE COMPLETE | O | 1 | | | | |
| C10 | 162302-3 | LATCH | | 2 | | | | |
| C20 | 324207-7 | SHAFT | | 1 | | | | |
| C30 | 451749-9 | HANDLE | | 1 | | | | |
| C40 | 816938-7 | INDICATION LABEL | | 1 | | | | |
| A03A | 816989-0 | HR2611F PLASTIC CASE LABEL | | 2 | | | | |
| A03B | 802S29-4 | HR2611FJ PLASTIC CASE LABEL | | 2 | | | | |
| A06B | 837651-4 | INNER TRAY | | 1 | | | | |
| A07B | 802S28-6 | HR2611FJ INDICATION LABEL | | 1 | | | | |
| F32 | 195127-0 | OIL VESSEL SET | | 1 | | | | |

Please order the parts with part number.

Print Date 24/10/2023