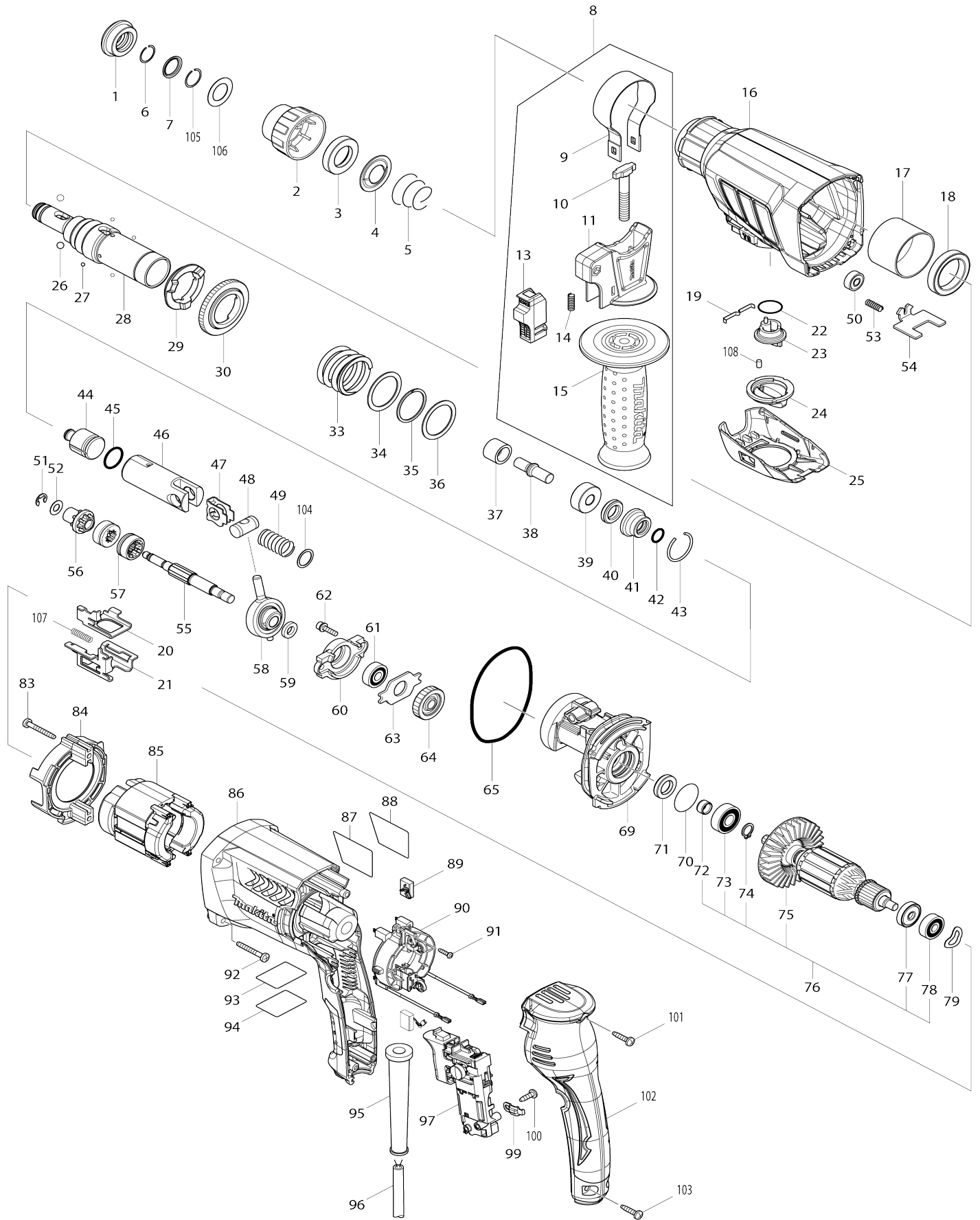


# Model No.HR2630 26MM COMBINATION HAMMER



Model No.HR2630 26MM COMBINATION HAMMER

| Item No. | Parts No. | Description                | Interchangability | Q'ty | New/Old | Note1 | Note2 |
|----------|-----------|----------------------------|-------------------|------|---------|-------|-------|
| 001      | 286288-8  | CAP 35                     |                   | 1    |         |       |       |
| 002      | 455393-4  | CHUCK COVER                |                   | 1    |         |       |       |
| 003      | 325813-1  | RING 21                    |                   | 1    |         |       |       |
| 004      | 346177-0  | GUIDE WASHER               |                   | 1    |         |       |       |
| 005      | 233916-6  | CONICAL COMP. SPRING 21-29 |                   | 1    |         |       |       |
| 006      | 233989-9  | RING SPRING 14             |                   | 1    |         |       |       |
| 007      | 346834-0  | WASHER 16                  |                   | 1    |         |       |       |
| 008      | 122878-2  | GRIP ASSEMBLY              |                   | 1    | *       |       |       |
| D10      |           | INC. 9-11,13-15            |                   |      |         |       |       |
| 008-1    | 127293-5  | GRIP ASSEMBLY              | O                 | 1    | *       |       |       |
| D10      |           | INC. 9-11,13-15            |                   |      |         |       |       |
| 008-2    | 122878-2  | GRIP ASSEMBLY              | O                 | 1    |         |       |       |
| D10      |           | INC. 9-11,13-15            |                   |      |         |       |       |
| 009      | 346181-9  | GRIP SPRING 50             |                   | 1    |         |       |       |
| 010      | 266349-0  | SQUARE BOLT M8X50          |                   | 1    |         |       |       |
| 011      | 451539-0  | GRIP BASE                  |                   | 1    |         |       |       |
| 013      | 141765-6  | LOCK BUTTON COMPLETE       |                   | 1    |         |       |       |
| 014      | 233360-7  | COMPRESSION SPRING 4       |                   | 1    |         |       |       |
| 015      | 154935-8  | GRIP 36 COMPLETE           |                   | 1    |         |       |       |
| 016      | 142971-6  | GEAR HOUSING COMPLETE      |                   | 1    |         |       |       |
| C10      | 213636-8  | OIL SEAL 25                |                   | 1    |         |       |       |
| 017      | 331890-3  | CUP SLEEVE                 |                   | 1    |         |       |       |
| 018      | 211294-4  | BALL BEARING 6806LLU       |                   | 1    |         |       |       |
| 019      | 232286-0  | LEAF SPRING                |                   | 1    |         |       |       |
| 020      | 346833-2  | CHANGE PLATE B             |                   | 1    |         |       |       |
| 021      | 346832-4  | CHANGE PLATE A             |                   | 1    |         |       |       |
| 022      | 213278-8  | O RING 17                  |                   | 1    |         |       |       |
| 023      | 455392-6  | CHANGE LEVER               |                   | 1    |         |       |       |
| 024      | 455394-2  | CHANGE LEVER CAP           |                   | 1    |         |       |       |
| 025      | 455391-8  | CHANGE LEVER COVER         |                   | 1    |         |       |       |
| 026      | 216022-2  | STEEL BALL 7.0             |                   | 2    |         |       |       |
| 027      | 216019-1  | STEEL BALL 3               |                   | 4    | *       |       |       |
| 027-1    | 216061-2  | STEEL BALL 3               | O                 | 4    |         |       |       |
| 028      | 142973-2  | TOOL HOLDER COMPLETE       |                   | 1    |         |       |       |
| C10      | 213344-1  | OIL SEAL 9                 |                   | 1    |         |       |       |
| 029      | 332139-4  | DRIVING FLANGE             |                   | 1    |         |       |       |
| 030      | 227360-7  | SPUR GEAR 51               |                   | 1    |         |       |       |
| 033      | 234148-8  | COMPRESSION SPRING 31      |                   | 1    |         |       |       |
| 034      | 267153-0  | FLAT WASHER 30             |                   | 1    |         |       |       |
| 035      | 257932-4  | SPIRO LOCK WASHER 30       |                   | 1    |         |       |       |
| 036      | 267153-0  | FLAT WASHER 30             |                   | 1    |         |       |       |
| 037      | 325782-6  | SLEEVE 9A                  |                   | 1    |         |       |       |
| 038      | 325789-2  | IMPACT BOLT A              |                   | 1    |         |       |       |
| 039      | 325794-9  | RING 10A                   |                   | 1    |         |       |       |
| 040      | 424267-0  | CUSHION RING 12            |                   | 1    |         |       |       |
| 041      | 325798-1  | O-RING CASE A              |                   | 1    |         |       |       |
| 042      | 213073-6  | O RING 9                   |                   | 1    |         |       |       |

|       |          |                             |   |   |   |  |
|-------|----------|-----------------------------|---|---|---|--|
| 043   | 233979-2 | RING SPRING 28              |   | 1 |   |  |
| 044   | 325784-2 | STRIKER                     |   | 1 |   |  |
| 045   | 213258-4 | O RING 17.5                 |   | 1 |   |  |
| 046   | 310345-1 | PISTON CYLINDER             |   | 1 |   |  |
| 047   | 346036-8 | GUIDE PLATE                 |   | 1 |   |  |
| 048   | 324215-8 | PISTON JOINT                |   | 1 |   |  |
| 049   | 234098-7 | COMPRESSION SPRING 14       |   | 1 |   |  |
| 050   | 210028-2 | BALL BEARING 606ZZ          |   | 1 |   |  |
| 051   | 257336-0 | STOP RING EXT U-6           |   | 1 |   |  |
| 052   | 253186-1 | FLAT WASHER 7               |   | 1 |   |  |
| 053   | 233360-7 | COMPRESSION SPRING 4        |   | 1 |   |  |
| 054   | 346831-6 | LOCK PLATE                  |   | 1 |   |  |
| 055   | 326448-1 | CAM SHAFT                   |   | 1 |   |  |
| 056   | 227359-2 | SPUR GEAR 10                |   | 1 |   |  |
| 057   | 332125-5 | CLUTCH CAM                  |   | 2 | * |  |
| 057-1 | 310678-4 | CLUTCH CAM                  | O | 2 |   |  |
| 058   | 219014-0 | SWASH BEARING 10            |   | 1 |   |  |
| 059   | 257321-3 | RING 8                      |   | 1 |   |  |
| 060   | 310344-3 | BEARING BOX                 |   | 1 |   |  |
| 061   | 211032-4 | BALL BEARING 608ZZ          |   | 1 | * |  |
| 061-1 | 210223-4 | BALL BEARING 608ZZ          | O | 1 |   |  |
| 062   | 266437-3 | HEX. SOCKET HEAD BOLT M4X16 |   | 2 |   |  |
| 063   | 285735-6 | BEARING RETAINER            |   | 1 |   |  |
| 064   | 227719-8 | HELICAL GEAR 26             |   | 1 |   |  |
| 065   | 213728-3 | O-RING 68                   |   | 1 |   |  |
| 069   | 141572-7 | INNER HOUSING COMPLETE      |   | 1 |   |  |
| C10   | 443153-6 | FELT                        |   | 1 |   |  |
| 070   | 213407-3 | O RING 26                   |   | 1 |   |  |
| 071   | 213678-2 | OIL SEAL 12                 |   | 1 |   |  |
| 072   | 262569-4 | SLEEVE 9                    |   | 1 | * |  |
| 072-1 | 262207-8 | SLEEVE 9                    | O | 1 |   |  |
| 073   | 211097-6 | BALL BEARING 600LLB         |   | 1 |   |  |
| 074   | 961006-2 | RETAINING RING S-10         |   | 1 |   |  |
| 075   | 240121-8 | FAN 65                      |   | 1 |   |  |
| 076   | 515359-7 | ARMATURE ASSEMBLY 240V      |   | 1 |   |  |
| D10   |          | INC. 72-75,77,78            |   |   |   |  |
| 077   | 681652-2 | INSULATION WASHER           |   | 1 |   |  |
| 078   | 210023-2 | BALL BEARING 627DDW         |   | 1 |   |  |
| 079   | 267804-5 | WAVE WASHER 15              |   | 1 |   |  |
| 083   | 266361-0 | TAPPING SCREW 4X30          |   | 2 | * |  |
| 083-1 | 265B70-0 | TAPPING SCREW 4X30          | O | 2 |   |  |
| 084   | 451527-7 | BAFFLE PLATE                |   | 1 |   |  |
| 085   | 626634-7 | FIELD 240V                  |   | 1 |   |  |
| 086   | 451536-6 | MOTOR HOUSING               |   | 1 |   |  |
| 087   | 850M21-8 | HR2630 NAME PLATE           |   | 1 |   |  |
| 088   | 819390-8 | CLEAR LABEL                 |   | 1 | * |  |
| 088-1 | 816R90-9 | CLEAR LABEL                 | O | 1 | * |  |
| 089   | 194074-2 | CARBON BRUSH CB-325         |   | 1 |   |  |
| 090   | 638655-7 | BRUSH HOLDER UNIT           |   | 1 |   |  |
| 091   | 266556-5 | TAPPING SCREW 3X12          |   | 2 |   |  |
| 092   | 266361-0 | TAPPING SCREW 4X30          |   | 4 | * |  |
| 092-1 | 265B70-0 | TAPPING SCREW 4X30          | O | 4 |   |  |

|       |          |                                 |   |   |   |  |  |
|-------|----------|---------------------------------|---|---|---|--|--|
| 093   | 850M25-0 | HR2630 SERIAL NO. LABEL         |   | 1 |   |  |  |
| 094   | 819389-3 | CLEAR LABEL                     |   | 1 | * |  |  |
| 094-1 | 816R89-4 | CLEAR LABEL                     | O | 1 | * |  |  |
| 095   | 682566-8 | CORD GUARD 10                   |   | 1 |   |  |  |
| 096   | 665890-4 | POWER SUPPLY CORD 1.0-2-4.0     |   | 1 |   |  |  |
| 097   | 650625-6 | SWITCH                          |   | 1 | * |  |  |
| 097-1 | 651090-2 | SWITCH TG853TB-3                | O | 1 |   |  |  |
| 099   | 687682-1 | STRAIN RELIEF                   |   | 1 |   |  |  |
| 100   | 266385-6 | TAPPING SCREW 4X14              |   | 1 | * |  |  |
| 100-1 | 265B74-2 | TAPPING SCREW 4X14              | O | 1 |   |  |  |
| 101   | 266326-2 | TAPPING SCREW 4X18              |   | 1 | * |  |  |
| 101-1 | 265B67-9 | TAPPING SCREW 4X18              | O | 1 |   |  |  |
| 102   | 451528-5 | HANDLE COVER                    |   | 1 |   |  |  |
| 103   | 266326-2 | TAPPING SCREW 4X18              |   | 2 | * |  |  |
| 103-1 | 265B67-9 | TAPPING SCREW 4X18              | O | 2 |   |  |  |
| 104   | 267447-3 | FLAT WASHER 14                  |   | 1 |   |  |  |
| 105   | 233992-0 | RING SPRING 15                  |   | 1 |   |  |  |
| 106   | 267114-0 | FLAT WASHER 17                  |   | 1 |   |  |  |
| 107   | 234343-0 | COMPRESSION SPRING 5            |   | 1 |   |  |  |
| 108   | 263005-3 | RUBBER PIN 6                    |   | 1 |   |  |  |
| 109   | 136165-3 | TOOL HOLDER ASS'Y               |   | 1 |   |  |  |
| D10   |          | INC. 27-30,33-35,37-43          |   |   |   |  |  |
| A02   | 331886-4 | DEPTH GAUGE                     |   | 1 |   |  |  |
| A03   | 821550-0 | CONNECTOR PLASTIC CASE (TYP E2) |   | 1 |   |  |  |
| C10   | 453974-8 | LATCH                           |   | 4 |   |  |  |
| A04   | 805558-6 | HR2630J PLASTIC CASE LABEL      |   | 2 | * |  |  |
| A04-1 | 816T73-1 | HR2630J PLASTIC CASE LABEL      | X | 2 |   |  |  |
| A05   | 805557-8 | HR2630J INDICATION LABEL        |   | 1 | * |  |  |
| A05-1 | 816T72-3 | HR2630J INDICATION LABEL        | O | 1 |   |  |  |
| A06   | 837651-4 | INNER TRAY                      |   | 1 |   |  |  |
| B01   | 196968-7 | HAMMER SERVICE KIT              |   | 1 |   |  |  |
| C10   | 195127-0 | OIL VESSEL SET                  |   | 2 |   |  |  |
| D10   |          | INC. 1,6,26,40,42,43,45,89,105  |   |   |   |  |  |
| F31   | 195127-0 | OIL VESSEL SET                  |   | 1 |   |  |  |

Please state Parts No. when your order.

Print Date 01/29/2024