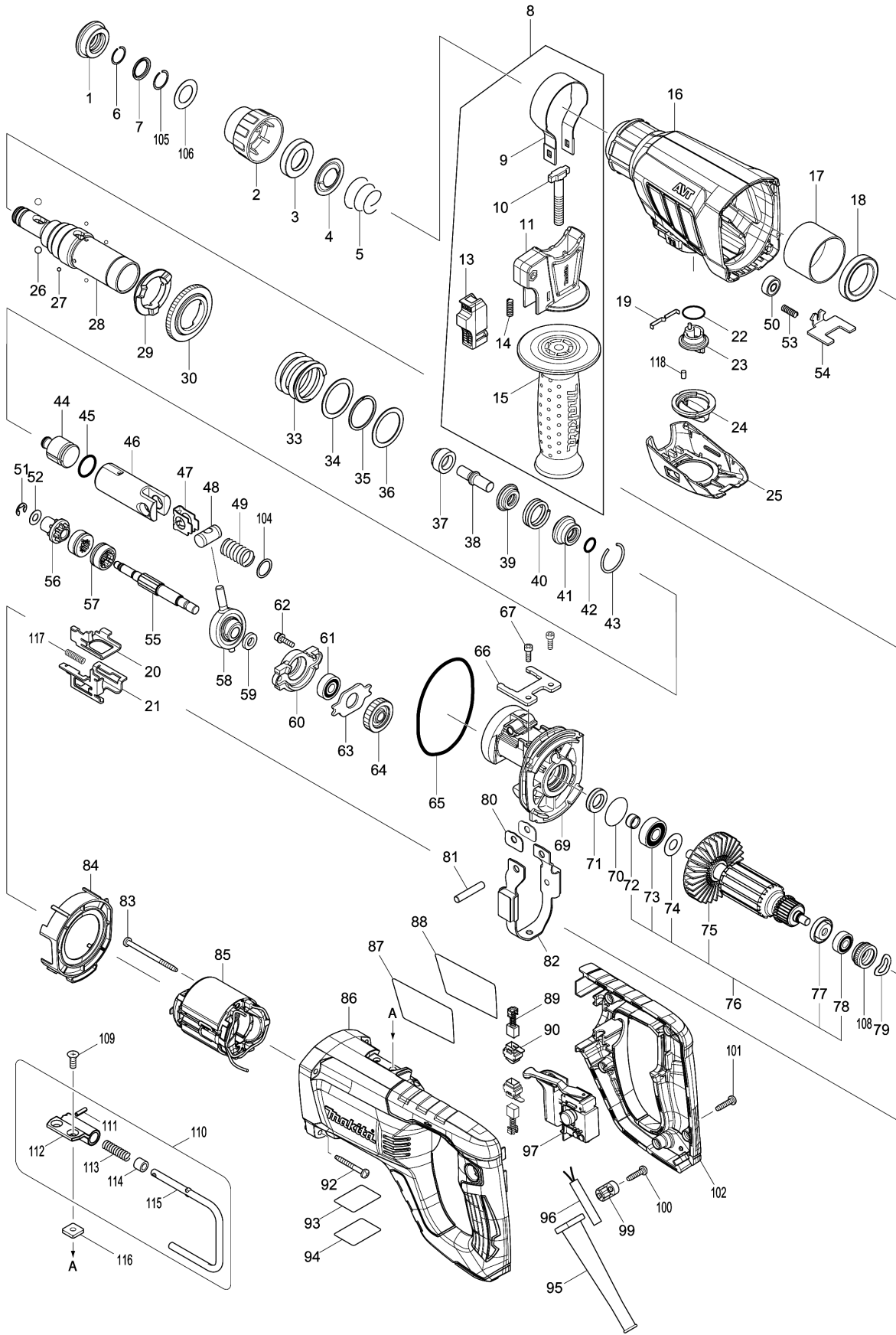


Model No.HR2641 26MM COMBINATION HAMMER



Model No.HR2641 26MM COMBINATION HAMMER

Item	Parts No.	Description	I/C	Qty	New/Old	Opt. 1	Opt. 2	Note
001	286288-8	CAP 35		1				
002	455393-4	CHUCK COVER		1				
003	325813-1	RING 21		1				
004	346177-0	GUIDE WASHER		1				
005	233916-6	CONICAL COMP. SPRING 21-29		1				
006	233989-9	RING SPRING 14		1				
007	346834-0	WASHER 16		1				
008	122878-2	GRIP ASSEMBLY		1				
D10		INC. 9-11,13-15						
009	346181-9	GRIP SPRING 50		1				
010	266349-0	SQUARE BOLT M8X50		1				
011	451539-0	GRIP BASE		1				
013	141765-6	LOCK BUTTON COMPLETE		1				
014	233360-7	COMPRESSION SPRING 4		1				
015	154935-8	GRIP 36 COMPLETE		1				
016	142970-8	GEAR HOUSING COMPLETE		1				
C10	213636-8	OIL SEAL 25		1				
017	331890-3	CUP SLEEVE		1				
018	211294-4	BALL BEARING 6806LLU		1				
019	232286-0	LEAF SPRING		1				
020	346833-2	CHANGE PLATE B		1				
021	346832-4	CHANGE PLATE A		1				
022	213278-8	O RING 17		1				
023	455392-6	CHANGE LEVER		1				
024	455394-2	CHANGE LEVER CAP		1				
025	455391-8	CHANGE LEVER COVER		1				
026	216022-2	STEEL BALL 7.0		2				
027	216019-1	STEEL BALL 3		4				
028	142972-4	TOOL HOLDER COMPLETE		1				
C10	213344-1	OIL SEAL 9		1				
029	332139-4	DRIVING FLANGE		1				
030	227360-7	SPUR GEAR 51		1				
033	234148-8	COMPRESSION SPRING 31		1				
034	267153-0	FLAT WASHER 30		1				
035	257932-4	SPIRO LOCK WASHER 30		1				
036	267153-0	FLAT WASHER 30		1				
037	325783-4	SLEEVE 9B		1				
038	325789-2	IMPACT BOLT A		1				
039	325792-3	WASHER 10		1				
040	234149-6	COMPRESSION SPRING 20		1				
041	325793-1	O-RING CASE B		1				
042	213073-6	O RING 9		1				
043	233979-2	RING SPRING 28		1				
044	325784-2	STRIKER		1				
045	213258-4	O RING 17.5		1				

Please order the parts with part number.

Print Date 4/3/2024

Model No.HR2641 26MM COMBINATION HAMMER

Item	Parts No.	Description	I/C	Qty	New/Old	Opt. 1	Opt. 2	Note
046	310345-1	PISTON CYLINDER		1				
047	346036-8	GUIDE PLATE		1				
048	324215-8	PISTON JOINT		1				
049	234098-7	COMPRESSION SPRING 14		1				
050	210028-2	BALL BEARING 606ZZ		1				
051	257336-0	STOP RING EXT U-6		1				
052	253186-1	FLAT WASHER 7		1				
053	233360-7	COMPRESSION SPRING 4		1				
054	346831-6	LOCK PLATE		1				
055	326448-1	CAM SHAFT		1				
056	227359-2	SPUR GEAR 10		1				
057	332125-5	CLUTCH CAM		2				
058	219023-9	SWASH BEARING 10		1				
059	257321-3	RING 8		1				
060	310344-3	BEARING BOX		1				
061	211032-4	BALL BEARING 608ZZ		1				
062	266437-3	HEX. SOCKET HEAD BOLT M4X16		2				
063	285735-6	BEARING RETAINER		1				
064	227748-1	HELICAL GEAR 27		1				
065	213728-3	O-RING 68		1				
066	346222-1	PLATE		1				
067	265353-6	HEX. SOCKET HEAD BOLT M4X12		2				
069	141573-5	INNER HOUSING COMPLETE		1				
C10	443153-6	FELT		1				
070	213407-3	O RING 26		1				
071	213678-2	OIL SEAL 12		1				
072	262571-7	SLEEVE 8		1				
073	211097-6	BALL BEARING 6000LLB		1				
074	267213-8	FLAT WASHER 10		1				
075	240092-9	FAN 64		1				
076	515904-8	ARMATURE ASS'Y 240V		1				
D10		INC. 72-75,77,78						
077	681636-0	INSULATION WASHER		1				
078	211021-9	BALL BEARING 607LLB		1				
079	267804-5	WAVE WASHER 15		1				
080	346180-1	WEIGHT HOLDER GUIDE		2				
081	256246-8	PIN 6		1				
082	165593-5	COUNTER WEIGHT		1				
083	266334-3	TAPPING SCREW 4X60		2				
084	454979-1	BAFFLE PLATE		1				
085	633714-2	FIELD 240V		1				
086	454977-5	MOTOR HOUSING		1				
087	850L91-1	HR2641 NAME PLATE		1				
088	802Y01-2	CLEAR LABEL		1	*			

Please order the parts with part number.

Print Date 4/3/2024

Model No.HR2641 26MM COMBINATION HAMMER

Item	Parts No.	Description	I/C	Qty	New/Old	Opt. 1	Opt. 2	Note
089	191962-4	CARBON BRUSH CB-419		1				
090	643936-6	BRUSH HOLDER		2				
092	266351-3	TAPPING SCREW 4X35		4				
093	850L96-1	HR2641 SERIAL NO. LABEL		1				
094	819390-8	CLEAR LABEL		1	*			
095	682573-1	CORD GUARD 10		1				
096	665890-4	POWER SUPPLY CORD 1.0-2-4.0		1				
097	650508-0	SWITCH TG813TLB-1		1				
099	687124-5	STRAIN RELIEF		1				
100	265995-6	TAPPING SCREW 4X18		2				
101	265995-6	TAPPING SCREW 4X18		5				
102	454978-3	HANDLE COVER		1				
104	267447-3	FLAT WASHER 14		1				
105	233992-0	RING SPRING 15		1				
106	267114-0	FLAT WASHER 17		1				
108	421868-5	LABYRINTH RUBBER RING 19		1				
109	912207-5	COUNTERSUNK HEAD SCREW M5X10		2				
110	126406-5	HOOK ASS'Y		1				
D10		INC. 111-115						
111	951057-3	SPRING PIN 3-12		1				
112	313278-9	JOINT		1				
113	233455-6	COMPRESSION SPRING 7		1				
114	262561-0	SLEEVE 6		1				
115	281218-4	HOOK		1				
116	264002-2	SQUARE NUT M5		2				
117	234343-0	COMPRESSION SPRING 5		1				
118	263005-3	RUBBER PIN 6		1				
A01	331886-4	DEPTH GAUGE		1				
A02	824695-3	PLASTIC CARRYING CASE		1	*			
C10	417724-5	LATCH		2	*			
C20	819144-3	MAKITA LOGO LABEL		1	*			
A02-1	821843-5	PLASTIC CASE	<	1				
C10	417724-5	LATCH		2				
B01	196966-1	HAMMER SERVICE KIT		1				
C10	195127-0	OIL VESSEL SET		2				
D10		INC. 1,6,26,42,43,45,89,105						
E01	645253-0	NOISE SUPPRESSOR		1				
F31	195127-0	OIL VESSEL SET		1				

Please order the parts with part number.

Print Date 4/3/2024