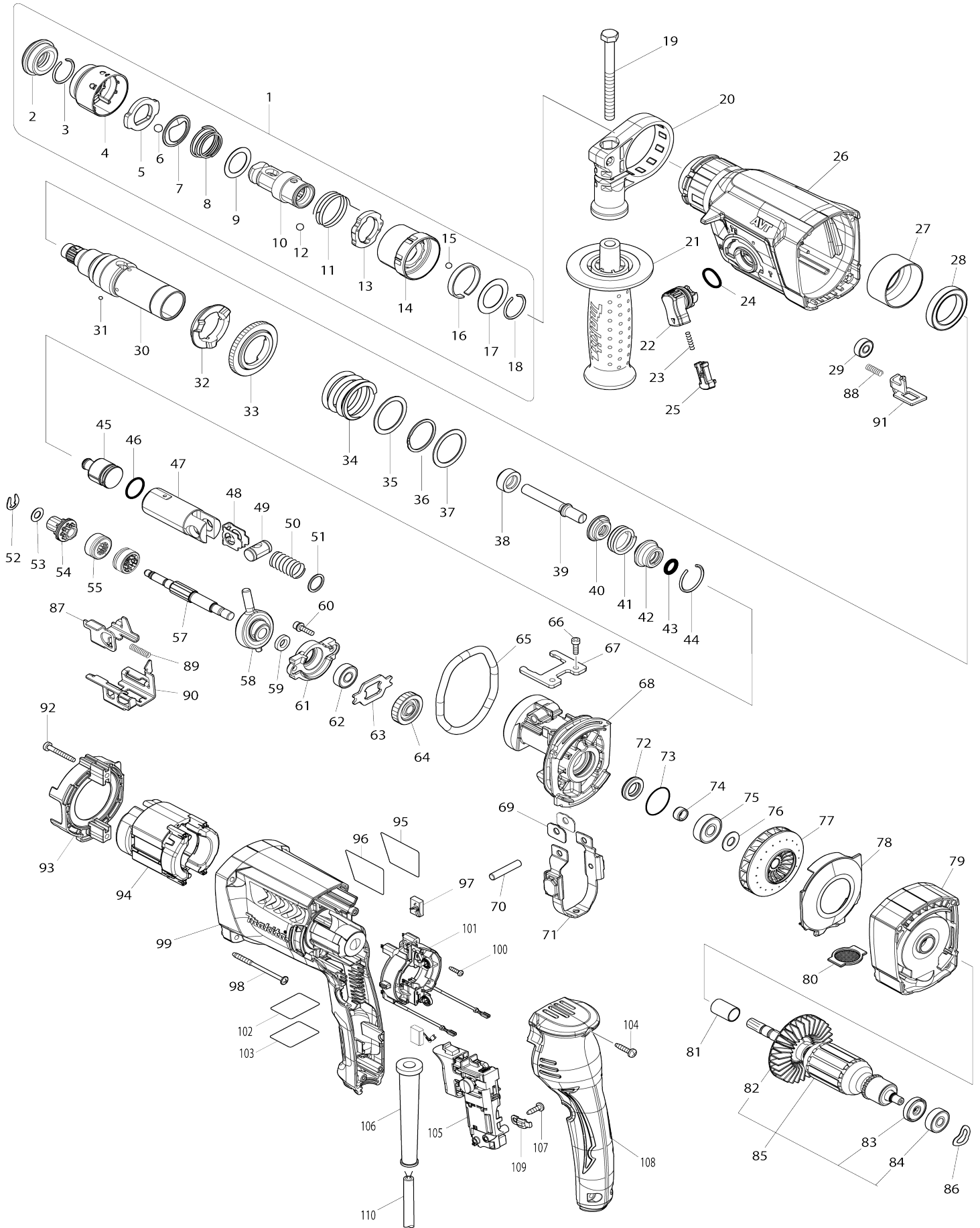
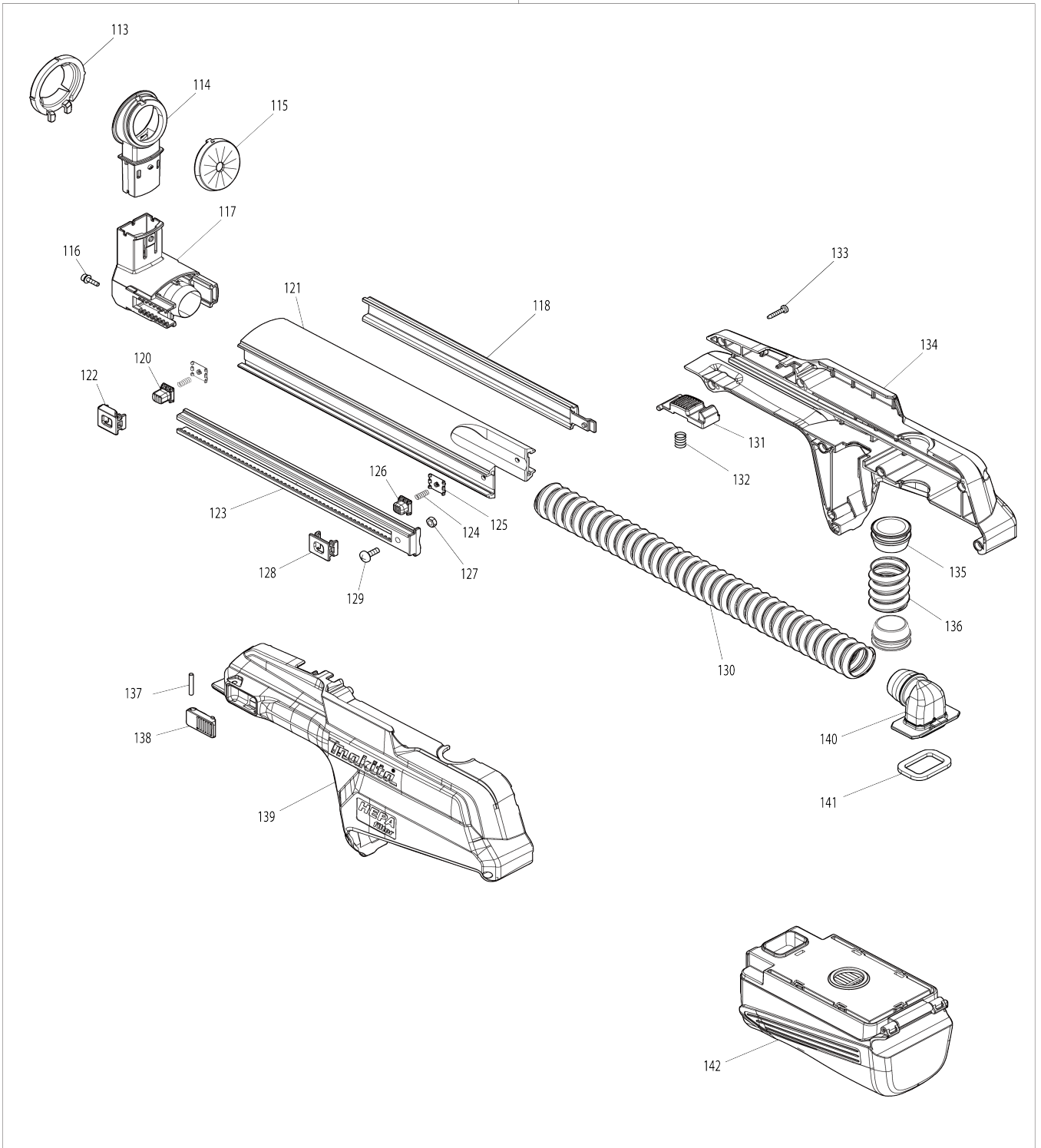


Model No.HR2651T 26MM COMB.HAMMER W/DUST EXT.



Model No.HR2651T 26MM COMB.HAMMER W/DUST EXT.

112



Model No.HR2651T 26MM COMB.HAMMER W/DUST EXT.

Item No.	Parts No.	Description	Interchangability	Q'ty	New/Old	Note1	Note2
001	194080-7	TOOL HOLDER SET		1			
D10		INC. 2-18					
002	286263-4	CAP 35		1			
003	233940-9	RING SPRING 19		1			
004	418217-5	CHUCK COVER		1			
005	345333-9	STOPPER		1			
006	216022-2	STEEL BALL 7.0		1			
007	345187-4	GUIDE WASHER		1			
008	233916-6	CONICAL COMP. SPRING 21-29		1			
009	267279-8	FLAT WASHER 21		1			
010	324355-2	TOOL HOLDER		1			
011	231669-1	TORSION SPRING 31		1			
012	216013-3	STEEL BALL 6		2	*		
012-1	216062-0	STEEL BALL 6	O	2			
013	345334-7	CHANGE RING		1			
014	418218-3	CHANGE COVER		1			
015	216018-3	STEEL BALL 5.0		1			
016	345335-5	LEAF SPRING		1			
017	267270-6	FLAT WASHER 24		1			
018	233924-7	RING SPRING 21		1			
019	266745-2	HEX.BOLT M8X90		1			
020	453129-5	GRIP BASE		1			
021	158057-6	GRIP 36 COMPLETE		1			
C10	931402-8	HEX. NUT M8		1			
022	457709-9	LOCK BUTTON		1	*		
022-1	161656-5	CHANGE LEVER COMPLETE	X	1			
023	234264-6	COMPRESSION SPRING 3		1			
024	213278-8	O RING 17		1			
025	161656-5	CHANGE LEVER COMPLETE		1	*		
025-1	457709-9	LOCK BUTTON	X	1			
026	144615-4	GEAR HOUSING COMPLETE		1	*		
C10	213636-8	OIL SEAL 25		1	*		
026-1	140D00-3	GEAR HOUSING COMPLETE	S	1			
C10	213636-8	OIL SEAL 25		1			
027	331890-3	CUP SLEEVE		1			
028	211294-4	BALL BEARING 6806LLU		1			
029	210028-2	BALL BEARING 606ZZ		1			
030	140266-1	TOOL HOLDERGUIDE COMPLETE		1			
C10	213344-1	OIL SEAL 9		1			
031	216019-1	STEEL BALL 3		4	*		
031-1	216061-2	STEEL BALL 3	O	4			
032	332139-4	DRIVING FLANGE		1			
033	227360-7	SPUR GEAR 51		1			
034	234148-8	COMPRESSION SPRING 31		1			
035	267153-0	FLAT WASHER 30		1			
036	257932-4	SPIRO LOCK WASHER 30		1			
037	267153-0	FLAT WASHER 30		1			

038	325783-4	SLEEVE 9B		1		
039	325791-5	IMPACT BOLT B		1		
040	325792-3	WASHER 10		1		
041	234149-6	COMPRESSION SPRING 20		1		
042	325793-1	O-RING CASE B		1		
043	213073-6	O RING 9		1		
044	233979-2	RING SPRING 28		1		
045	325784-2	STRIKER		1		
046	213258-4	O RING 17.5		1		
047	310345-1	PISTON CYLINDER		1		
048	346036-8	GUIDE PLATE		1		
049	324215-8	PISTON JOINT		1		
050	234098-7	COMPRESSION SPRING 14		1		
051	267447-3	FLAT WASHER 14		1		
052	257336-0	STOP RING EXT U-6		1		
053	253186-1	FLAT WASHER 7		1		
054	227359-2	SPUR GEAR 10		1		
055	332125-5	CLUTCH CAM		2	*	
055-1	310678-4	CLUTCH CAM	O	2		
057	326448-1	CAM SHAFT		1		
058	219023-9	SWASH BEARING 10		1		
059	257321-3	RING 8		1		
060	266437-3	HEX. SOCKET HEAD BOLT M4X16		2		
061	310344-3	BEARING BOX		1		
062	211032-4	BALL BEARING 608ZZ		1	*	
062-1	210223-4	BALL BEARING 608ZZ	O	1		
063	285735-6	BEARING RETAINER		1		
064	227719-8	HELICAL GEAR 26		1		
065	213728-3	O-RING 68		1		
066	265353-6	HEX. SOCKET HEAD BOLT M4X12		2		
067	346222-1	PLATE		1		
068	141573-5	INNER HOUSING COMPLETE		1		
069	346180-1	WEIGHT HOLDER GUIDE		2		
070	256246-8	PIN 6		1		
071	161655-7	COUNTER WEIGHT		1		
072	213678-2	OIL SEAL 12		1		
073	213407-3	O RING 26		1		
074	262569-4	SLEEVE 9		1	*	
074-1	262207-8	SLEEVE 9	O	1		
075	210042-8	BALL BEARING 629LLB		1		
076	253733-8	FLAT WASHER 9		1		
077	240182-8	FAN 65		1		
078	457711-2	BAFFLE PLATE		1		
079	457710-4	FAN HOUSING		1		
080	457713-8	FILTER PLATE		1		
081	262184-4	SLEEVE 10		1		
082	240121-8	FAN 65		1		
083	681652-2	INSULATION WASHER		1		
084	210023-2	BALL BEARING 627DDW		1		
085	515424-2	ARMATURE ASSY 240V		1		
D10		INC. 82-84				
086	267804-5	WAVE WASHER 15		1		

087	347230-5	CHANGE PLATE B		1			
088	233360-7	COMPRESSION SPRING 4		1			
089	234343-0	COMPRESSION SPRING 5		1			
090	347229-0	CHANGE PLATE A		1			
091	347228-2	LOCK PLATE		1			
092	266361-0	TAPPING SCREW 4X30		2	*		
092-1	265B70-0	TAPPING SCREW 4X30	O	2			
093	451527-7	BAFFLE PLATE		1			
094	621874-2	FIELD		1			
095	819390-8	CLEAR LABEL		1	*		
095-1	816R90-9	CLEAR LABEL	O	1	*		
096	853M12-8	HR2651T NAME PLATE		1			
097	194074-2	CARBON BRUSH CB-325		1			
098	266334-3	TAPPING SCREW 4X60		4			
099	451536-6	MOTOR HOUSING		1			
100	266556-5	TAPPING SCREW 3X12		2			
101	632K38-9	BRUSH HOLDER UNIT		1			
102	853M16-0	HR2651T SERIAL NO. LABEL		1			
103	819389-3	CLEAR LABEL		1	*		
103-1	816R89-4	CLEAR LABEL	O	1	*		
104	266326-2	TAPPING SCREW 4X18		3	*		
104-1	265B67-9	TAPPING SCREW 4X18	O	3			
105	651090-2	SWITCH TG853TB-3		1			
106	682566-8	CORD GUARD 10		1			
107	266385-6	TAPPING SCREW 4X14		1	*		
107-1	265B74-2	TAPPING SCREW 4X14	O	1			
108	451528-5	HANDLE COVER		1			
109	687682-1	STRAIN RELIEF		1			
110	665890-4	POWER SUPPLY CORD 1.0-2-4.0		1			
112	135906-4	DUST CASE ASSY		1	*		
D10		INC. 113-118,120-142					
112-1	135995-9	DUST CASE ASSY	<	1	*		
D10		INC. 113-118,120-142					
112-2	136007-1	DUST CASE ASSY	<	1	*		
D10		INC. 113-118,120-142					
112-3	136017-8	DUST CASE ASSEMBLY	S	1	*		
D10		INC. 113-118,120-142					
112-4	136257-8	DUST CASE ASS'Y	O	1	*		
D10		INC. 113-118,120-142					
112-5	136522-5	DUST CASE ASS'Y	O	1	*		
D10		INC. 113-118,120-142					
112-6	136522-5	DUST CASE ASS'Y	O	1	*		
D10		INC. 113-118,120-142					
112-7	136617-4	DUST CASE ASS'Y	<	1	*		
D10		INC. 113-118,120-142					
112-8	136919-8	DUST CASE ASS'Y	O	1			
D10		INC. 114-118,120-142					
113	424722-2	FITTING RUBBER		1	*		
114	455736-0	COLLECTOR		1	*		
114-1	413A88-1	COLLECTOR	S	1			
115	424474-5	SEALING CAP		1	*		

115-1	422784-4	SEALING CAP	S	1		
116	251568-1	H.S.H.BOLT M3X12 WITH WR		2		
117	457729-3	COLLECTOR BASE B		1		
118	457723-5	PIPE COVER		1		
120	457718-8	PUSH BUTTON B		1		
121	326988-9	SLIDE PIPE		1		
122	457728-5	STOPPER BASE B		1		
123	457722-7	RACK GUIDE		1		
124	232386-6	COMPRESSION SPRING 4		2		
125	457721-9	SPRING PLATE		2		
126	457717-0	PUSH BUTTON A		1		
127	931102-0	HEX. NUT M4		1		
128	457719-6	STOPPER BASE A		1		
129	251314-2	+ SCREW M4X12		1		
130	245043-7	HOSE 30 D		1	*	
130-1	245045-3	HOSE 30	S	1		
131	457716-2	LOCK LEVER		1	*	
131-1	458668-0	LOCK LEVER	<	1	*	
131-2	413J60-7	LOCK LEVER	<	1		
132	231316-4	COMPRESSION SPRING 7		1		
133	266130-9	TAPPING SCREW BIND PT 3X16		8		
134	183G77-3	HOUSING SET		1	*	
D10		INC. 139				
134-1	183K50-7	HOUSING SET	S	1		
D10		INC. 139				
135	457712-0	JOINT SLEEVE		2	*	
135-1	413K07-7	JOINT SLEEVE	<	2		
136	245042-9	HOSE 30 C		1	*	
136-1	245047-9	HOSE 30	<	1	*	
136-2	245042-9	HOSE 30 C	O	1	*	
136-3	245047-9	HOSE 30	O	1		
137	256158-5	PIN 3		1		
138	457720-1	PUSH LEVER		1		
139	183G77-3	HOUSING SET		1	*	
D10		INC. 134				
139-1	183K50-7	HOUSING SET	S	1		
D10		INC. 134				
140	457724-3	INNER PIPE		1		
141	457725-1	SPONGE SHEET B		1		
142	198981-1	DUST CASE SET EU		1	*	
C10	196165-5	FILTER SET		1	*	
142-1	199978-3	DUST CASE SET	O	1	*	
C10	199557-7	FILTER SET		1	*	
142-2	199978-3	DUST CASE SET	O	1		
C10	199557-7	FILTER SET		1		
143	422316-7	RUBBER SHEET		1	*	
144	422317-5	SPONGE SHEET		2	*	
145	458687-6	STOPPER	S	1		
146	422315-9	DAMPER	S	1		
A01	324219-0	DEPTH GAUGE		1		
A02	424474-5	SEALING CAP		5	*	
A02-1	422784-4	SEALING CAP	X	5		

A03	821722-7	PLASTIC CASE		1	*		
C10	162302-3	LATCH		2	*		
A03-1	821780-3	PLASTIC CASE	<	1	*		
C10	162302-3	LATCH		2	*		
A03-2	821781-1	PLASTIC CASE	O	1			
C10	162302-3	LATCH		2			
A07	194079-2	DRILL CHUCK SET		1			
F30	195127-0	OIL VESSEL SET		1			
F33-2	199978-3	DUST CASE SET	O	1			
F35	199557-7	FILTER SET		1			
A03	144871-6	CONNECTOR P. CASE(TYPE4) CO MP.		1			
C10	453974-8	LATCH		4			
A04	813H81-1	HR2651TJ INDICATION LABEL		1	*		
A04-1	817A78-0	HR2651TJ INDICATION LABEL	<	1			
A05	813H82-9	HR2651TJ PLASTIC CASE LABEL		2	*		
A05-1	817A79-8	HR2651TJ PLASTIC CASE LABEL	X	2			
A06	839303-3	INNER TRAY		1	*		
A06-1	839975-4	INNER TRAY	<	1			

Please state Parts No. when your order.

Print Date 24.10.2023