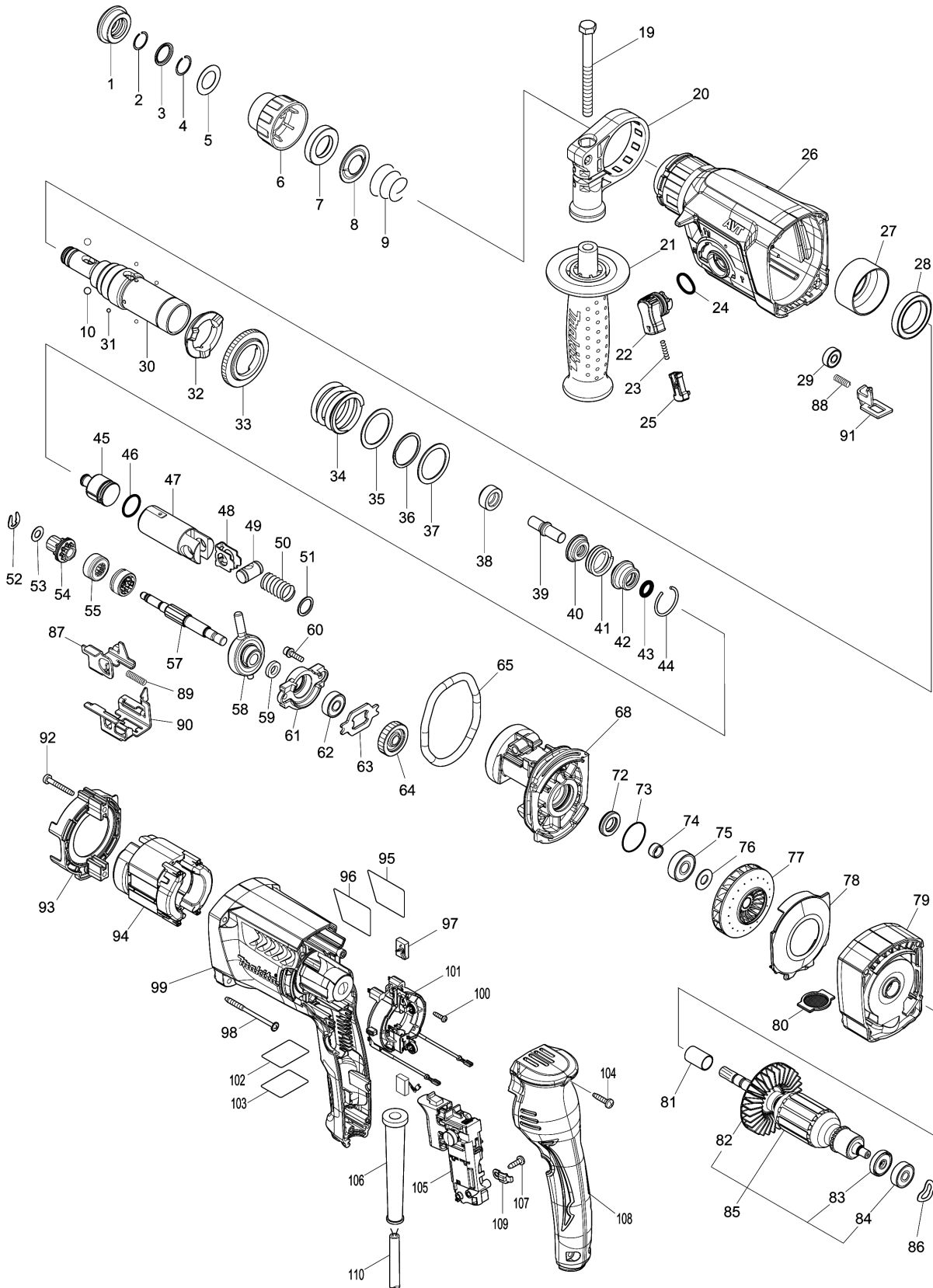
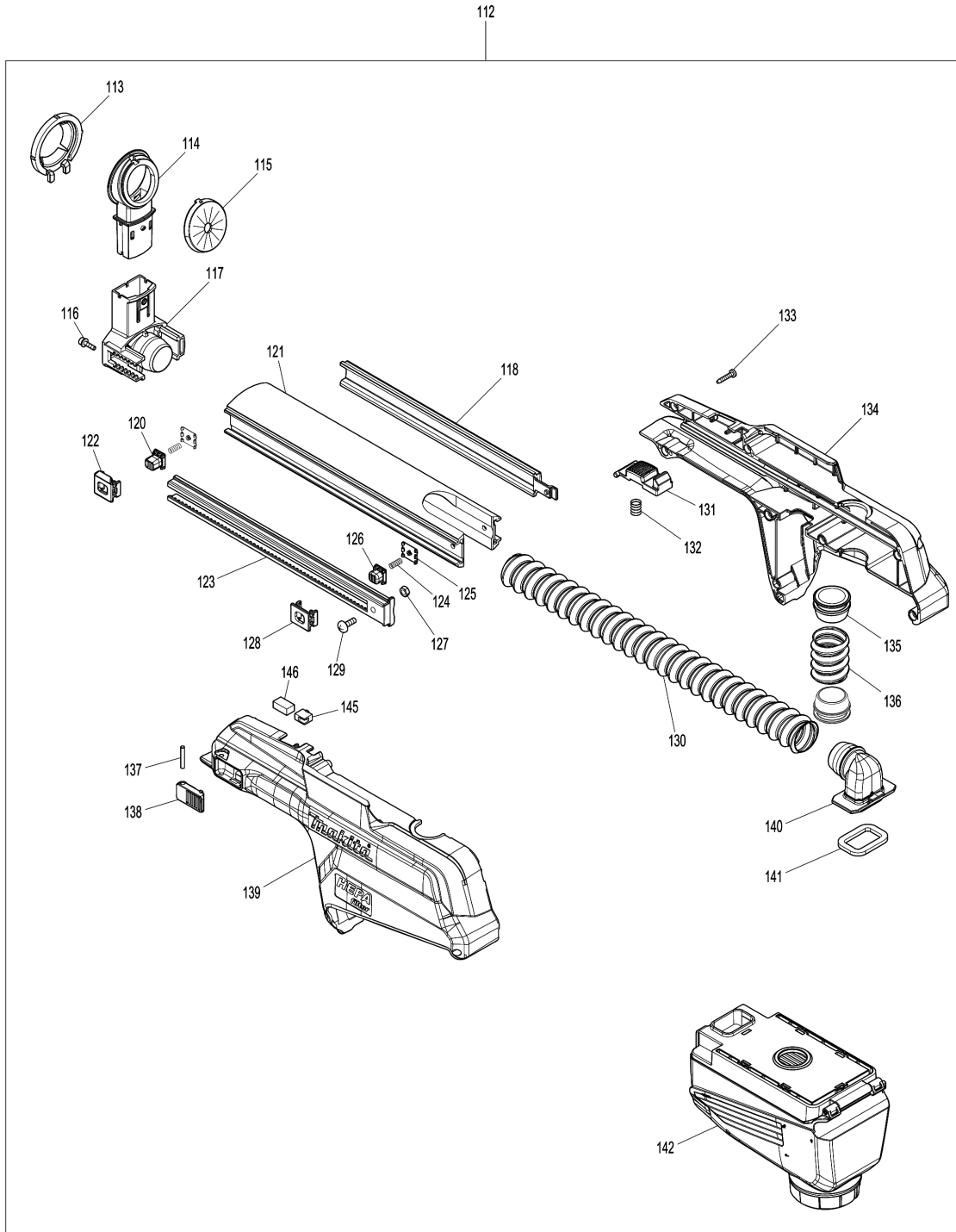


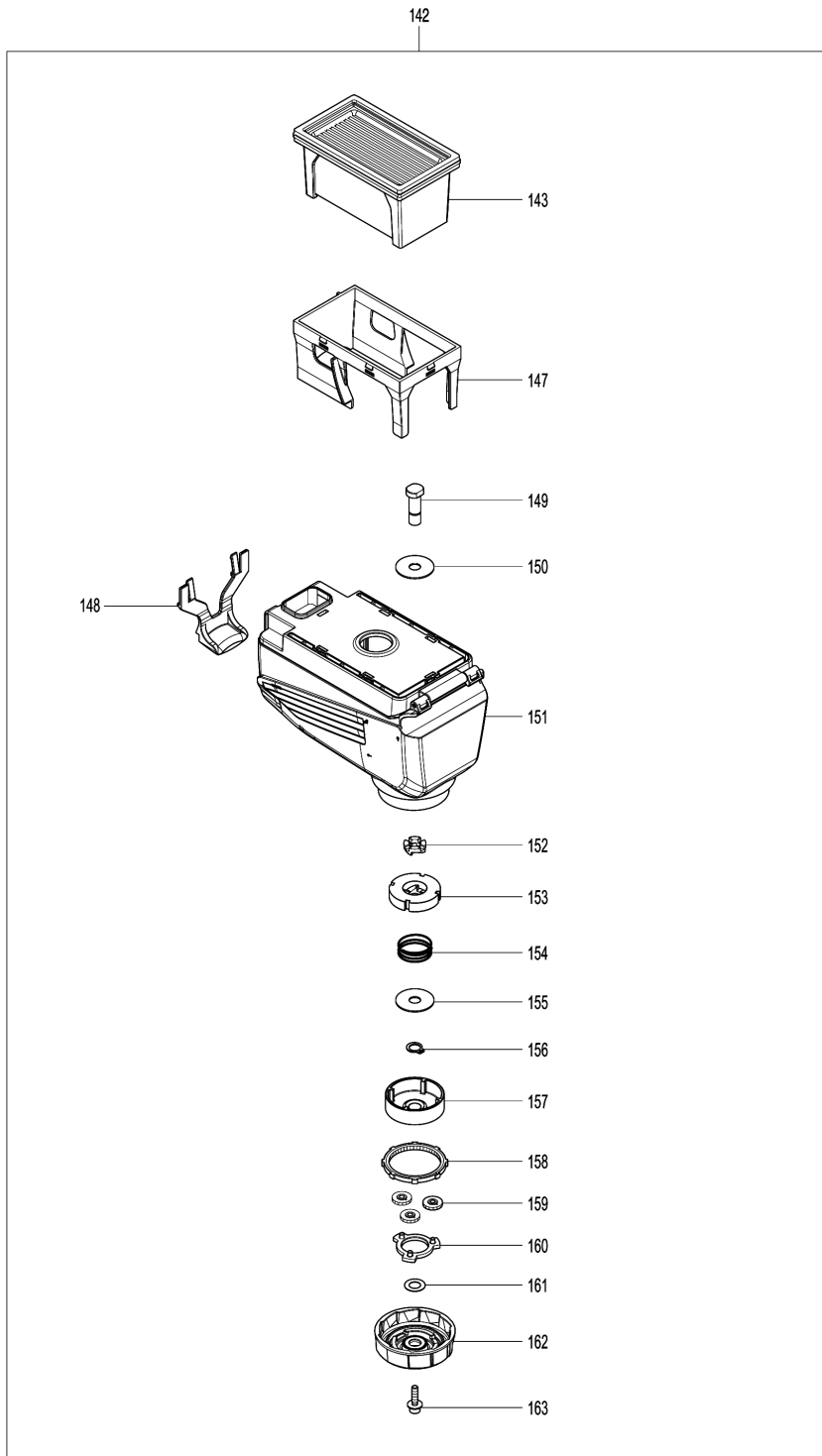
Model No.HR2652 26MM COMB.HAMMER W/DUST EXT.



Model No.HR2652 26MM COMB.HAMMER W/DUST EXT.



Model No.HR2652 26MM COMB.HAMMER W/DUST EXT.



Model No.HR2652 26MM COMB.HAMMER W/DUST EXT.

Item	Parts No.	Description	I/C	Qty	New/Old	Opt. 1	Opt. 2	Note
001	286288-8	CAP 35		1				
002	233989-9	RING SPRING 14		1				
003	346834-0	WASHER 16		1				
004	233992-0	RING SPRING 15		1				
005	267114-0	FLAT WASHER 17		1				
006	455393-4	CHUCK COVER		1				
007	325813-1	RING 21		1				
008	346177-0	GUIDE WASHER		1				
009	233916-6	CONICAL COMP. SPRING 21-29		1				
010	216022-2	STEEL BALL 7.0		2				
019	266745-2	HEX.BOLT M8X90		1				
020	453129-5	GRIP BASE		1				
021	158057-6	GRIP 36 COMPLETE		1				
C10	931402-8	HEX. NUT M8		1				
022	161656-5	CHANGE LEVER COMPLETE		1				
023	234264-6	COMPRESSION SPRING 3		1				
024	213278-8	O RING 17		1				
025	457709-9	LOCK BUTTON		1				
026	140C99-2	GEAR HOUSING COMPLETE		1				
C10	213636-8	OIL SEAL 25		1				
027	331890-3	CUP SLEEVE		1				
028	211294-4	BALL BEARING 6806LLU		1				
029	210028-2	BALL BEARING 606ZZ		1				
030	142973-2	TOOL HOLDER COMPLETE		1				
C10	213344-1	OIL SEAL 9		1				
031	216019-1	STEEL BALL 3		4				
032	332139-4	DRIVING FLANGE		1				
033	227360-7	SPUR GEAR 51		1				
034	234148-8	COMPRESSION SPRING 31		1				
035	267153-0	FLAT WASHER 30		1				
036	257932-4	SPIRO LOCK WASHER 30		1				
037	267153-0	FLAT WASHER 30		1				
038	325782-6	SLEEVE 9A		1				
039	325789-2	IMPACT BOLT A		1				
040	325794-9	RING 10A		1				
041	424267-0	CUSHION RING 12		1				
042	325798-1	O-RING CASE A		1				
043	213073-6	O RING 9		1				
044	233979-2	RING SPRING 28		1				
045	325784-2	STRIKER		1				
046	213258-4	O RING 17.5		1				
047	310345-1	PISTON CYLINDER		1				
048	346036-8	GUIDE PLATE		1				
049	324215-8	PISTON JOINT		1				
050	234098-7	COMPRESSION SPRING 14		1				

Please order the parts with part number.

Print Date 24/10/2023

Model No.HR2652 26MM COMB.HAMMER W/DUST EXT.

Item	Parts No.	Description	I/C	Qty	New/Old	Opt. 1	Opt. 2	Note
051	267447-3	FLAT WASHER 14		1				
052	257336-0	STOP RING EXT U-6		1				
053	253186-1	FLAT WASHER 7		1				
054	227359-2	SPUR GEAR 10		1				
055	332125-5	CLUTCH CAM		2				
057	326448-1	CAM SHAFT		1				
058	219014-0	SWASH BEARING 10		1				
059	257321-3	RING 8		1				
060	266437-3	HEX. SOCKET HEAD BOLT M4X16		2				
061	310344-3	BEARING BOX		1				
062	211032-4	BALL BEARING 608ZZ		1				
063	285735-6	BEARING RETAINER		1				
064	227719-8	HELICAL GEAR 26		1				
065	213728-3	O-RING 68		1				
068	141572-7	INNER HOUSING COMPLETE		1				
072	213678-2	OIL SEAL 12		1				
073	213407-3	O RING 26		1				
074	262569-4	SLEEVE 9		1	*			
074-1	262207-8	SLEEVE 9	O	1				
075	210042-8	BALL BEARING 629LLB		1				
076	253733-8	FLAT WASHER 9		1				
077	240182-8	FAN 65		1				
078	457711-2	BAFFLE PLATE		1				
079	457710-4	FAN HOUSING		1				
080	457713-8	FILTER PLATE		1				
081	262184-4	SLEEVE 10		1				
082	240121-8	FAN 65		1				
083	681652-2	INSULATION WASHER		1				
084	210023-2	BALL BEARING 627DDW		1				
085	515424-2	ARMATURE ASSY 240V		1				
D10		INC. 82-84						
086	267804-5	WAVE WASHER 15		1				
087	347230-5	CHANGE PLATE B		1				
088	233360-7	COMPRESSION SPRING 4		1				
089	234343-0	COMPRESSION SPRING 5		1				
090	347229-0	CHANGE PLATE A		1				
091	347228-2	LOCK PLATE		1				
092	266361-0	TAPPING SCREW 4X30		2				
093	451527-7	BAFFLE PLATE		1				
094	621874-2	FIELD		1				
095	819389-3	CLEAR LABEL		1	*			
096	855J95-6	HR2652 NAME PLATE		1				
097	194074-2	CARBON BRUSH CB-325		1				
098	266334-3	TAPPING SCREW 4X60		4				
099	451536-6	MOTOR HOUSING		1				

Please order the parts with part number.

Print Date 24/10/2023

Model No.HR2652 26MM COMB.HAMMER W/DUST EXT.

Item	Parts No.	Description	I/C	Qty	New/Old	Opt. 1	Opt. 2	Note
100	266556-5	TAPPING SCREW 3X12		2				
101	632K38-9	BRUSH HOLDER UNIT		1				
102	855J99-8	HR2652 SERIAL NO. LABEL		1				
103	819390-8	CLEAR LABEL		1				
104	266326-2	TAPPING SCREW 4X18		3				
105	651090-2	SWITCH TG853TB-3		1				
106	682566-8	CORD GUARD 10		1				
107	266385-6	TAPPING SCREW 4X14		1				
108	451528-5	HANDLE COVER		1				
109	687682-1	STRAIN RELIEF		1				
110	665890-4	POWER SUPPLY CORD 1.0-2-4.0		1				
112	127185-8	DUST COLLECTION SYSTEM		1	*			
D10		INC. 113-118,120-142,145,146			*			
112-1	127185-8	DUST COLLECTION SYSTEM	O	1				
D10		INC. 113-118,120-142,145,146			*			
D11		INC. 114-118,120-142,145,146						
113	424722-2	FITTING RUBBER		1	*			
114	455736-0	COLLECTOR		1	*			
114-1	413A88-1	COLLECTOR	S	1				
115	424474-5	SEALING CAP		1	*			
115-1	422784-4	SEALING CAP	S	1				
116	251568-1	H.S.H.BOLT M3X12 WITH WR		2				
117	457730-8	COLLECTOR BASE A		1				
118	457723-5	PIPE COVER		1				
120	457718-8	PUSH BUTTON B		1				
121	326988-9	SLIDE PIPE		1				
122	457728-5	STOPPER BASE B		1				
123	457722-7	RACK GUIDE		1				
124	232386-6	COMPRESSION SPRING 4		2				
125	457721-9	SPRING PLATE		2				
126	457717-0	PUSH BUTTON A		1				
127	931102-0	HEX. NUT M4		1				
128	457719-6	STOPPER BASE A		1				
129	251314-2	+ SCREW M4X12		1				
130	245045-3	HOSE 30		1				
131	458668-0	LOCK LEVER		1	*			
131-1	413J60-7	LOCK LEVER	<	1				
132	231316-4	COMPRESSION SPRING 7		1				
133	266130-9	TAPPING SCREW BIND PT 3X16		8				
134	183K50-7	HOUSING SET		1				
D10		INC. 139						
135	457712-0	JOINT SLEEVE		2	*			
135-1	413K07-7	JOINT SLEEVE	<	2				

Please order the parts with part number.

Print Date 24/10/2023

Model No.HR2652 26MM COMB.HAMMER W/DUST EXT.

Item	Parts No.	Description	I/C	Qty	New/Old	Opt. 1	Opt. 2	Note
136	245047-9	HOSE 30		1	*			
136-1	245042-9	HOSE 30 C	O	1	*			
136-2	245047-9	HOSE 30	O	1				
137	256158-5	PIN 3		1				
138	457720-1	PUSH LEVER		1				
139	183K50-7	HOUSING SET		1				
D10		INC. 134						
140	457724-3	INNER PIPE		1				
141	457725-1	SPONGE SHEET B		1				
142	199586-0	DUST CASE SET		1	*			
D10		INC. 143,147-163			*			
142-1	199586-0	DUST CASE SET	O	1				
D10		INC. 143,147-163						
143	199557-7	FILTER SET		1				
145	458687-6	STOPPER		1				
146	422315-9	DAMPER		1				
147	457727-7	FILTER GUARD		1				
148	453148-1	RELEASE LEVER		1				
149	327221-2	SHAFT		1				
150	253431-4	FLAT WASHER 8		1				
151	140G88-1	DUST CASE COMPLETE		1	*			
C10	256533-5	ROD 2.5		1	*			
C20	423426-3	SPONGE SHEET A		1	*			
C30	457726-9	FILTER BASE		1	*			
151-1	140G88-1	DUST CASE COMPLETE	O	1				
C10	256533-5	ROD 2.5		1				
C20	423426-3	SPONGE SHEET A		1				
C30	457726-9	FILTER BASE		1				
152	310918-0	CAM		1				
153	310919-8	HAMMER		1				
154	232482-0	COMPRESSION SPRING 21		1				
155	253431-4	FLAT WASHER 8		1				
156	961004-6	RETAINING RING (EXT) S-8		1				
157	226856-5	SUPER GEAR 17		1				
158	226857-3	INTERNAL GEAR 49		1				
159	226855-7	SUPER GEAR 15		3				
160	140F90-8	CARRIER COMPLETE		1				
161	253430-6	FLAT WASHER 8		1				
162	140H88-7	DIAL COMPLETE		1				
C10	422431-7	SPONGE SHEET		1				
163	922129-1	H.S.H.BOLT M4X16 WITH WG		1				
A01	324219-0	DEPTH GAUGE		1				
A02	424474-5	SEALING CAP		5	*			
A02-1	422784-4	SEALING CAP	X	5				
A03	821552-6	CONNECTOR PLASTIC CASE (TYPE4)		1				

Please order the parts with part number.

Print Date 24/10/2023

Model No.HR2652 26MM COMB.HAMMER W/DUST EXT.

Item	Parts No.	Description	I/C	Qty	New/Old	Opt. 1	Opt. 2	Note
C10	453974-8	LATCH		4				
A04	818Y15-1	HR2652J INDICATION LABEL		1				
A05	818Y16-9	HR2652J PLASTIC CASE LABEL		2				
A06	839975-4	INNER TRAY		1				
B01	196968-7	HAMMER SERVICE KIT		1				
C10	195127-0	OIL VESSEL SET		2				
D10		INC. 1,2,4,10,41,43,44,46,97						
F08	199557-7	FILTER SET		1				
F30	195127-0	OIL VESSEL SET		1				

Please order the parts with part number.

Print Date 24/10/2023