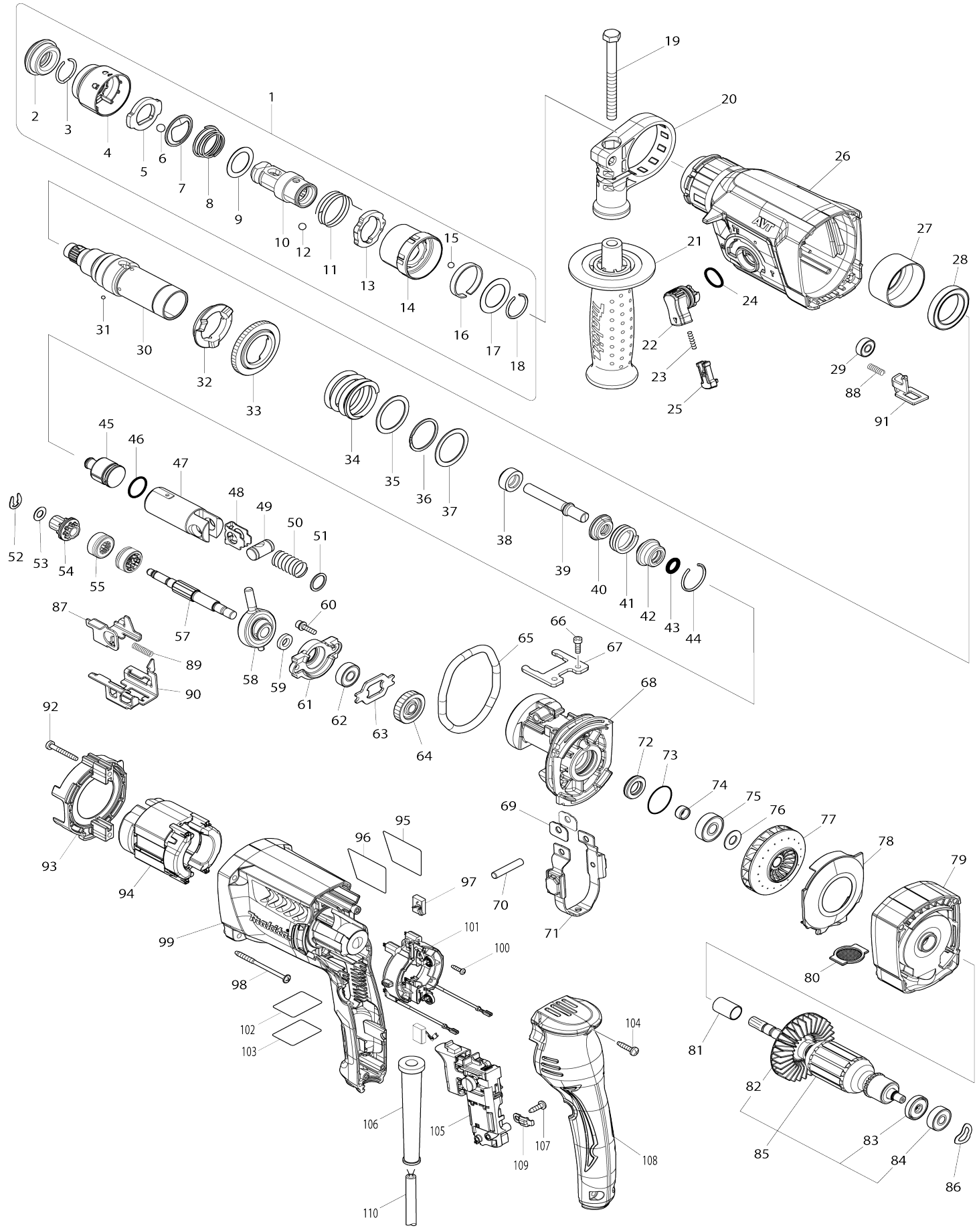
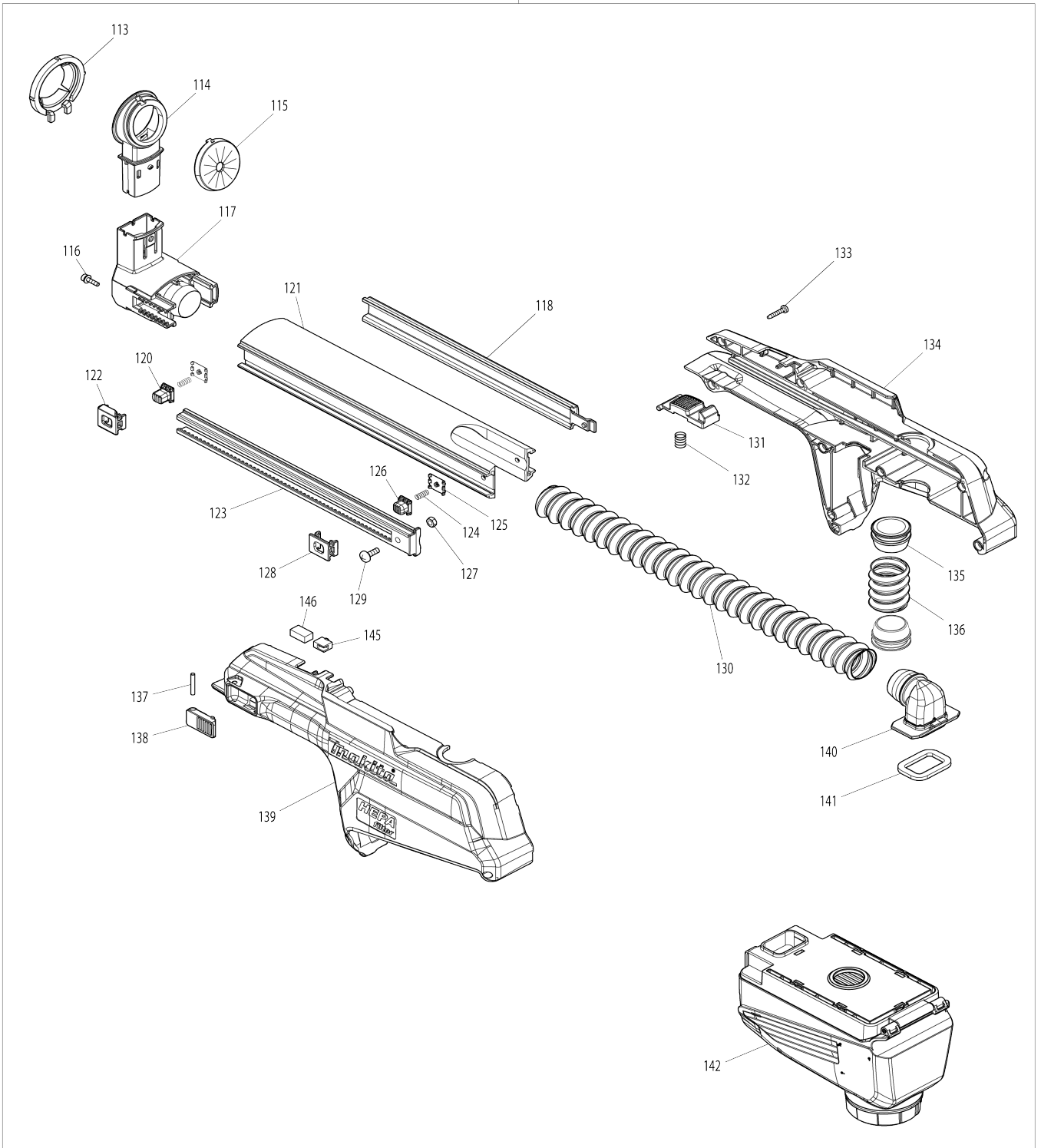


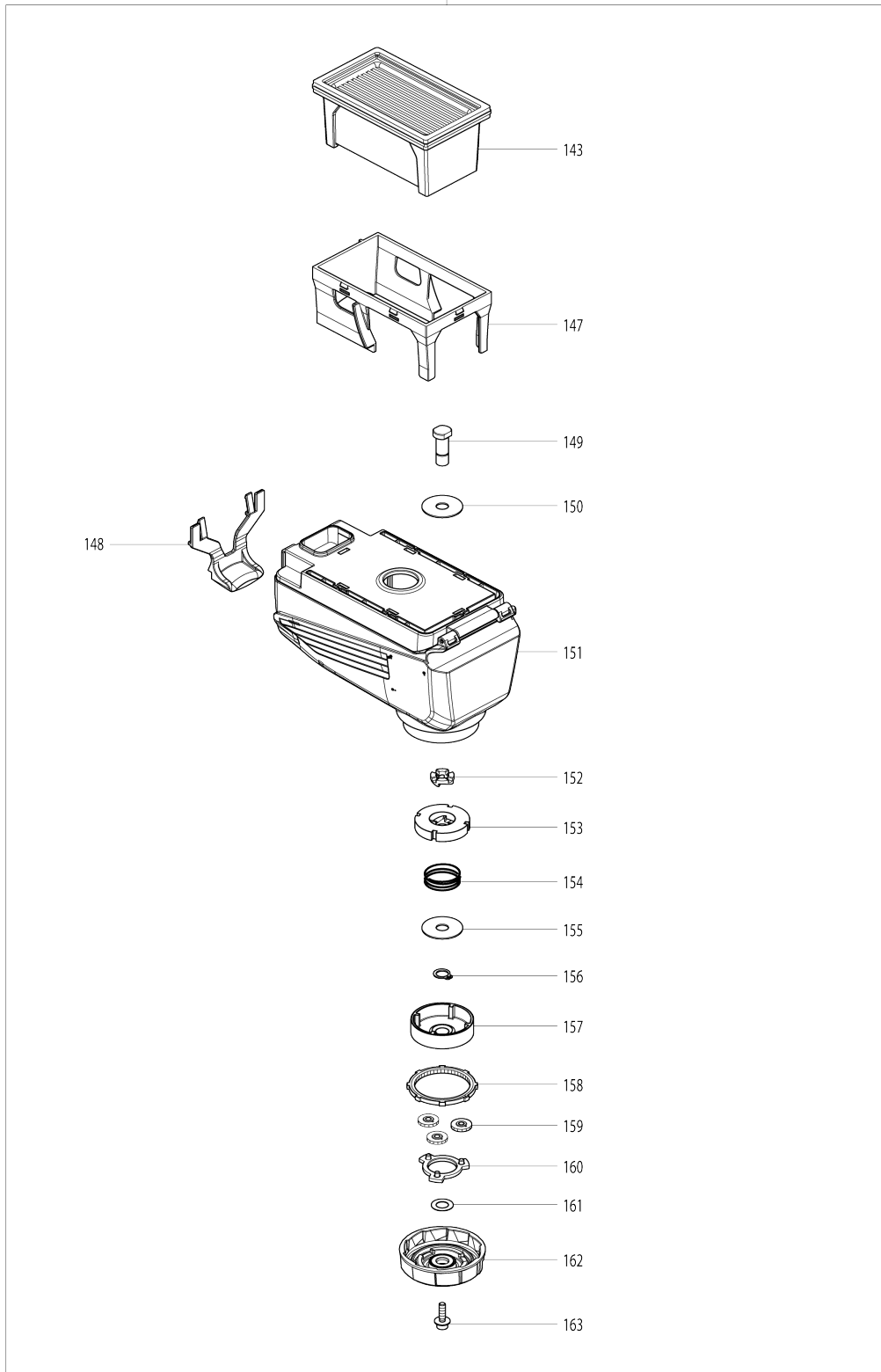
Model No.HR2653T 26MM COMBI.HAMMER W/SELF DUST



112



142



Model No.HR2653T 26MM COMBI.HAMMER W/SELF DUST

Item No.	Parts No.	Description	Interchangability	Q'ty	New/Old	Note1	Note2
001	194080-7	TOOL HOLDER SET		1			
D10		INC. 2-18					
002	286263-4	CAP 35		1			
003	233940-9	RING SPRING 19		1			
004	418217-5	CHUCK COVER		1			
005	345333-9	STOPPER		1			
006	216022-2	STEEL BALL 7.0		1			
007	345187-4	GUIDE WASHER		1			
008	233916-6	CONICAL COMP. SPRING 21-29		1			
009	267279-8	FLAT WASHER 21		1			
010	324355-2	TOOL HOLDER		1			
011	231669-1	TORSION SPRING 31		1			
012	216013-3	STEEL BALL 6		2			
013	345334-7	CHANGE RING		1			
014	418218-3	CHANGE COVER		1			
015	216018-3	STEEL BALL 5.0		1			
016	345335-5	LEAF SPRING		1			
017	267270-6	FLAT WASHER 24		1			
018	233924-7	RING SPRING 21		1			
019	266745-2	HEX.BOLT M8X90		1			
020	453129-5	GRIP BASE		1			
021	158057-6	GRIP 36 COMPLETE		1			
C10	931402-8	HEX. NUT M8		1			
022	161656-5	CHANGE LEVER COMPLETE		1			
023	234264-6	COMPRESSION SPRING 3		1			
024	213278-8	O RING 17		1			
025	457709-9	LOCK BUTTON		1			
026	140D00-3	GEAR HOUSING COMPLETE		1			
C10	213636-8	OIL SEAL 25		1			
027	331890-3	CUP SLEEVE		1			
028	211294-4	BALL BEARING 6806LLU		1			
029	210028-2	BALL BEARING 606ZZ		1			
030	140266-1	TOOL HOLDERGUIDE COMPLETE		1			
C10	213344-1	OIL SEAL 9		1			
031	216019-1	STEEL BALL 3		4			
032	332139-4	DRIVING FLANGE		1			
033	227360-7	SPUR GEAR 51		1			
034	234148-8	COMPRESSION SPRING 31		1			
035	267153-0	FLAT WASHER 30		1			
036	257932-4	SPIRO LOCK WASHER 30		1			
037	267153-0	FLAT WASHER 30		1			
038	325783-4	SLEEVE 9B		1			
039	325791-5	IMPACT BOLT B		1			
040	325792-3	WASHER 10		1			
041	234149-6	COMPRESSION SPRING 20		1			
042	325793-1	O-RING CASE B		1			
043	213073-6	O RING 9		1			

044	233979-2	RING SPRING 28		1		
045	325784-2	STRIKER		1		
046	213258-4	O RING 17.5		1		
047	310345-1	PISTON CYLINDER		1		
048	346036-8	GUIDE PLATE		1		
049	324215-8	PISTON JOINT		1		
050	234098-7	COMPRESSION SPRING 14		1		
051	267447-3	FLAT WASHER 14		1		
052	257336-0	STOP RING EXT U-6		1		
053	253186-1	FLAT WASHER 7		1		
054	227359-2	SPUR GEAR 10		1		
055	332125-5	CLUTCH CAM		2		
057	326448-1	CAM SHAFT		1		
058	219023-9	SWASH BEARING 10		1		
059	257321-3	RING 8		1		
060	266437-3	HEX. SOCKET HEAD BOLT M4X16		2		
061	310344-3	BEARING BOX		1		
062	211032-4	BALL BEARING 608ZZ		1		
063	285735-6	BEARING RETAINER		1		
064	227719-8	HELICAL GEAR 26		1		
065	213728-3	O-RING 68		1		
066	265353-6	HEX. SOCKET HEAD BOLT M4X12		2		
067	346222-1	PLATE		1		
068	141573-5	INNER HOUSING COMPLETE		1		
069	346180-1	WEIGHT HOLDER GUIDE		2		
070	256246-8	PIN 6		1		
071	161655-7	COUNTER WEIGHT		1		
072	213678-2	OIL SEAL 12		1		
073	213407-3	O RING 26		1		
074	262569-4	SLEEVE 9		1	*	
074-1	262207-8	SLEEVE 9	O	1		
075	210042-8	BALL BEARING 629LLB		1		
076	253733-8	FLAT WASHER 9		1		
077	240182-8	FAN 65		1		
078	457711-2	BAFFLE PLATE		1		
079	457710-4	FAN HOUSING		1		
080	457713-8	FILTER PLATE		1		
081	262184-4	SLEEVE 10		1		
082	240121-8	FAN 65		1		
083	681652-2	INSULATION WASHER		1		
084	210023-2	BALL BEARING 627DDW		1		
085	515424-2	ARMATURE ASSY 240V		1		
D10		INC. 82-84				
086	267804-5	WAVE WASHER 15		1		
087	347230-5	CHANGE PLATE B		1		
088	233360-7	COMPRESSION SPRING 4		1		
089	234343-0	COMPRESSION SPRING 5		1		
090	347229-0	CHANGE PLATE A		1		
091	347228-2	LOCK PLATE		1		
092	266361-0	TAPPING SCREW 4X30		2		
093	451527-7	BAFFLE PLATE		1		
094	621874-2	FIELD		1		

095	819390-8	CLEAR LABEL		1		
096	855K31-8	HR2653T NAME PLATE		1		
097	194074-2	CARBON BRUSH CB-325		1		
098	266334-3	TAPPING SCREW 4X60		4		
099	451536-6	MOTOR HOUSING		1		
100	266556-5	TAPPING SCREW 3X12		2		
101	632K38-9	BRUSH HOLDER UNIT		1		
102	855K35-0	HR2653T SERIAL NO. LABEL		1		
103	819389-3	CLEAR LABEL		1	*	
104	266326-2	TAPPING SCREW 4X18		3		
105	651090-2	SWITCH TG853TB-3		1		
106	682566-8	CORD GUARD 10		1		
107	266385-6	TAPPING SCREW 4X14		1		
108	451528-5	HANDLE COVER		1		
109	687682-1	STRAIN RELIEF		1		
110	665890-4	POWER SUPPLY CORD 1.0-2-4.0		1		
112	127189-0	DUST COLLECTION SYSTEM		1	*	
D10		INC. 113-118,120-142,145,146				
112-1	127189-0	DUST COLLECTION SYSTEM	O	1		
D10		INC. 113-118,120-142,145,146				
D11		INC. 114-118,120-142,145,146				
113	424722-2	FITTING RUBBER		1	*	
114	455736-0	COLLECTOR		1	*	
114-1	413A88-1	COLLECTOR	S	1		
115	424474-5	SEALING CAP		1	*	
115-1	422784-4	SEALING CAP	S	1		
116	251568-1	H.S.H.BOLT M3X12 WITH WR		2		
117	457729-3	COLLECTOR BASE B		1		
118	457723-5	PIPE COVER		1		
120	457718-8	PUSH BUTTON B		1		
121	326988-9	SLIDE PIPE		1		
122	457728-5	STOPPER BASE B		1		
123	457722-7	RACK GUIDE		1		
124	232386-6	COMPRESSION SPRING 4		2		
125	457721-9	SPRING PLATE		2		
126	457717-0	PUSH BUTTON A		1		
127	931102-0	HEX. NUT M4		1		
128	457719-6	STOPPER BASE A		1		
129	251314-2	+ SCREW M4X12		1		
130	245045-3	HOSE 30		1		
131	458668-0	LOCK LEVER		1	*	
131-1	413J60-7	LOCK LEVER	<	1		
132	231316-4	COMPRESSION SPRING 7		1		
133	266130-9	TAPPING SCREW BIND PT 3X16		8		
134	183K50-7	HOUSING SET		1		
D10		INC. 139				
135	457712-0	JOINT SLEEVE		2	*	
135-1	413K07-7	JOINT SLEEVE	<	2		
136	245047-9	HOSE 30		1	*	
136-1	245042-9	HOSE 30 C	O	1	*	
136-2	245047-9	HOSE 30	O	1		

137	256158-5	PIN 3		1		
138	457720-1	PUSH LEVER		1		
139	183K50-7	HOUSING SET		1		
D10		INC. 134				
140	457724-3	INNER PIPE		1		
141	457725-1	SPONGE SHEET B		1		
142	199586-0	DUST CASE SET		1	*	
D10		INC. 143,147-163				
142-1	199586-0	DUST CASE SET	O	1		
D10		INC. 143,147-163				
143	199557-7	FILTER SET		1		
145	458687-6	STOPPER		1		
146	422315-9	DAMPER		1		
147	457727-7	FILTER GUARD		1		
148	453148-1	RELEASE LEVER		1		
149	327221-2	SHAFT		1		
150	253431-4	FLAT WASHER 8		1		
151	140G88-1	DUST CASE COMPLETE		1	*	
C10	256533-5	ROD 2.5		1	*	
C20	423426-3	SPONGE SHEET A		1	*	
C30	457726-9	FILTER BASE		1	*	
151-1	140G88-1	DUST CASE COMPLETE	O	1		
C10	256533-5	ROD 2.5		1		
C20	423426-3	SPONGE SHEET A		1		
C30	457726-9	FILTER BASE		1		
152	310918-0	CAM		1		
153	310919-8	HAMMER		1		
154	232482-0	COMPRESSION SPRING 21		1		
155	253431-4	FLAT WASHER 8		1		
156	961004-6	RETAINING RING (EXT) S-8		1		
157	226856-5	SUPER GEAR 17		1		
158	226857-3	INTERNAL GEAR 49		1		
159	226855-7	SUPER GEAR 15		3		
160	140F90-8	CARRIER COMPLETE		1		
161	253430-6	FLAT WASHER 8		1		
162	140H88-7	DIAL COMPLETE		1		
C10	422431-7	SPONGE SHEET		1		
163	922129-1	H.S.H.BOLT M4X16 WITH WG		1		
A01	324219-0	DEPTH GAUGE		1		
A02	424474-5	SEALING CAP		5	*	
A02-1	422784-4	SEALING CAP	X	5		
A03	821780-3	PLASTIC CASE		1	*	
C10	162302-3	LATCH		2	*	
A03-1	821781-1	PLASTIC CASE	O	1		
C10	162302-3	LATCH		2		
A07	194079-2	DRILL CHUCK SET		1		
B01	195108-4	HAMMER SERVICE KIT		1		
C10	195127-0	OIL VESSEL SET		2		
D10		INC. 2,6,43,44,46,97				
F08	199557-7	FILTER SET		1		
F30	195127-0	OIL VESSEL SET		1		
A03	821552-6	CONNECTOR PLASTIC CASE (TYP		1		

		E4)					
C10	453974-8	LATCH		4			
A04	818Y34-7	HR2653TJ INDICATION LABEL		1			
A05	818Y35-5	HR2653TJ PLASTIC CASE LABEL		2			
A06	839975-4	INNER TRAY		1			

Please state Parts No. when your order.

Print Date 24.10.2023