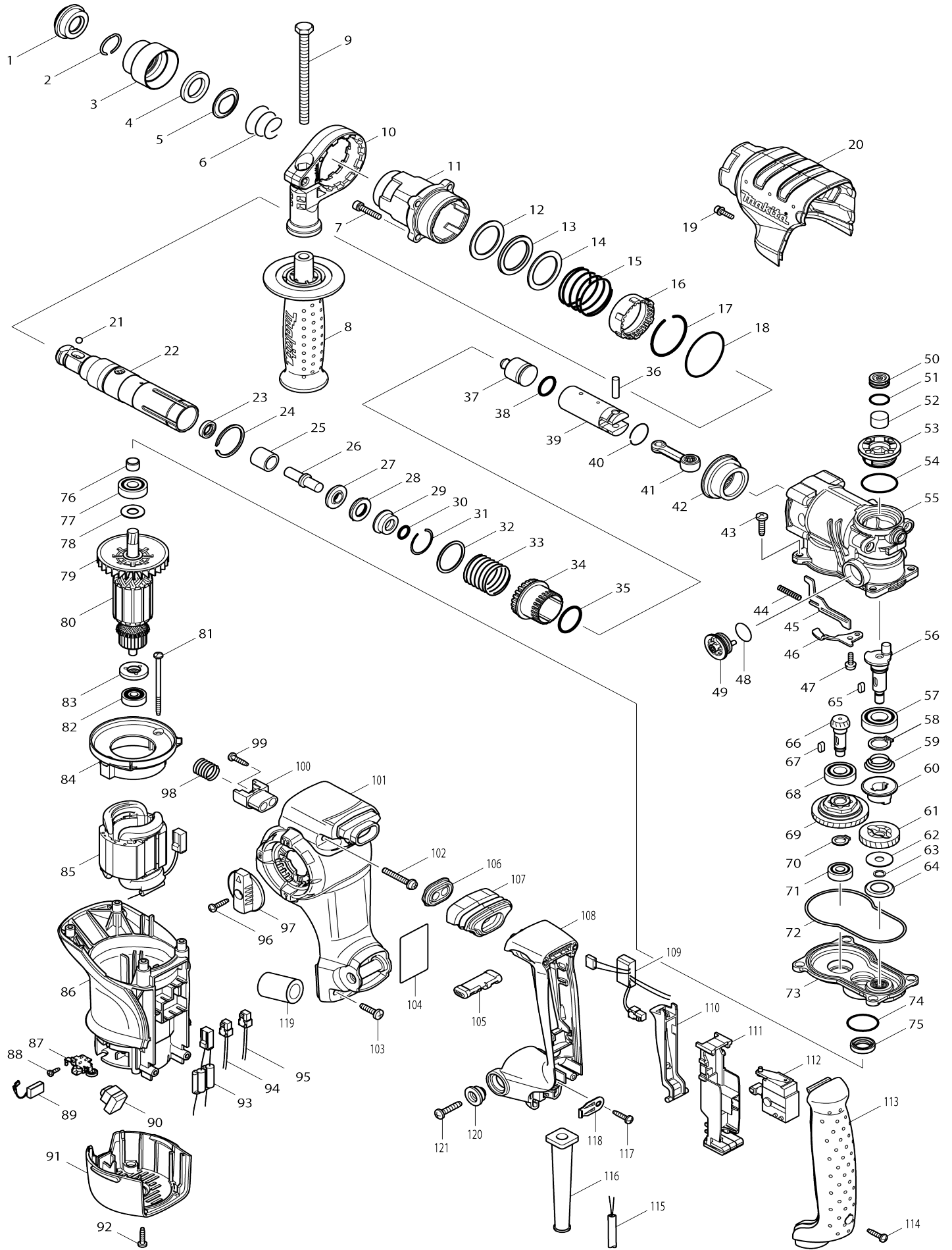


Model No.HR2811F ROTARY HAMMER 28MM



Model No.HR2811F ROTARY HAMMER 28MM

Item No.	Parts No.	Description	Interchangability	Q'ty	New/Old	Note1	Note2
C20	643711-0	BRUSH HOLDER		2			
001	286263-4	CAP 35		1			
002	233940-9	RING SPRING 19		1			
003	417629-9	CHUCK COVER		1			
004	257241-1	RING 21		1			
005	345187-4	GUIDE WASHER		1			
006	233916-6	CONICAL COMP. SPRING 21-29		1			
007	922241-7	HEX. SOCKET HEAD BOLT M5X25		4			
008	154842-5	GRIP 36 COMPLETE		1	*		
C10	931402-8	HEX. NUT M8		1	*		
008-1	158057-6	GRIP 36 COMPLETE	O	1			
C10	931402-8	HEX. NUT M8		1			
009	921919-9	HEX. BOLT M8X110		1			
010	419975-6	GRIP BASE 20		1			
011	158288-7	BARREL COMPLETE		1			
C10	212403-8	NEEDLE BEARING 3012		1			
C20	213965-9	OIL SEAL 25		1	*		
C21	213345-9	OIL SEAL 25	O	1			
012	267354-0	FLAT WASHER 31		1			
013	262133-1	URETHANE RING 31		1			
014	267354-0	FLAT WASHER 31		1			
015	234020-4	COMPRESSION SPRING 37		1			
016	419986-1	LOCK SLEEVE		1			
017	233952-2	RING SPRING 41		1			
018	213620-3	O RING 46		1			
019	922128-3	HEX. SOCKET HEAD BOLT M4X16		1			
020	419984-5	CRANK HOUSING COVER		1			
021	216022-2	STEEL BALL 7.0		1			
022	158285-3	TOOL HOLDER COMPLETE		1	*		
022-1	123191-1	TOOL HOLDER ASSEMBLY	<	1			
C10	158285-3	TOOL HOLDER COMPLETE		1			
D10		INC. 23-31					
023	213076-0	OIL SEAL 9		1	*		
023-1	213344-1	OIL SEAL 9	O	1			
024	961140-8	RETAINING RING		1			
025	331769-8	SLEEVE 9		1			
026	324669-9	IMPACT BOLT		1			
027	324402-9	RING 10		1			
028	421955-0	CUSHION RING 13		1			
029	324216-6	O RING CASE		1			
030	213073-6	O RING 9		1			
031	233917-4	RING SPRING 28		1			
032	267105-1	FLAT WASHER 29		1			
033	234021-2	COMPRESSION SPRING 30		1			
034	331770-3	DRIVING SLEEVE		1			
035	213435-8	O RING 26		1			
036	256099-5	PIN 6		1			

037	324733-6	STRIKER		1		
038	213227-5	O RING 16		1		
039	331776-1	PISTON CYLINDER		1		
040	233954-8	RING SPRING 21		1		
041	158282-9	CONNECTING ROD COMPLETE		1		
C10	212043-2	NEEDLE BEARING 810		1		
042	227532-4	SPIRAL BEVEL GEAR 31		1		
043	266420-0	TAPPING SCREW 5X20		4		
044	234019-9	COMPRESSION SPRING 4		1		
045	345814-3	LINK PLATE		1		
046	345815-1	GUIDE PLATE		1		
047	911118-1	PAN HEAD SCREW M4X12		1		
048	213262-3	O RING 18		1		
049	162256-4	LINK LEVER COMPLETE		1		
050	419988-7	FILTER CAP		1		
051	213218-6	O RING 16		1	*	
051-1	213A05-9	O-RING16	O	1		
052	443129-3	FILTER		1		
053	419987-9	CRANK CAP		1		
054	213406-5	O RING 30		1		
055	158289-5	CRANK HOUSING COMPLETE		1	*	
055-1	158289-5	CRANK HOUSING COMPLETE	O	1		
056	324793-8	CRANK SHAFT		1		
057	211232-6	BALL BEARING 6002LLU		1		
058	961055-9	RETAINING RING S-15		1		
059	233951-4	C. C. SPRING 16-26		1		
060	223167-9	CLUTCH		1		
061	226653-9	HELICAL GEAR 29		1		
062	267353-2	FLAT WASHER 8		1		
063	961034-7	RETAINING RING		1		
064	345818-5	CUP WASHER 16		1		
065	254239-9	KEY 4		2		
066	227524-3	SPIRAL BEVEL GEAR 9		1		
067	254239-9	KEY 4		1		
068	210105-0	BALL BEARING 6001LLU		1		
069	125386-2	TORQUE LIMITER ASS'Y		1		
070	961006-2	RETAINING RING S-10		1		
071	210024-0	BALL BEARING 608LLU		1		
072	424028-8	SEAL RING		1		
073	158287-9	GEAR HOUSING COMPLETE		1		
074	213445-5	O-RING 26		1		
075	213133-4	OIL SEAL 12		1	*	
075-1	213678-2	OIL SEAL 12	O	1		
076	331775-3	SLEEVE 10		1		
077	210054-1	BALL BEARING 6000LLU		1		
078	253171-4	FLAT WASHER 10		1		
079	240095-3	FAN 64		1		
080	515294-9	ARMATURE ASS'Y 240V		1		
D10		INC. 79,82,83				
081	266325-4	TAPPING SCREW 4X70		2		
082	210023-2	BALL BEARING 627DDW		1		
083	681656-4	INSULATION WASHER		1		

084	419989-5	BUFFLE PLATE		1		
085	526584-5	FIELD ASS'Y 240V		1		
C10	654283-0	CONTACT		2		
C20	686044-0	CONNECTOR HOUSING		1		
086	419982-9	MOTOR HOUSING		1		
087	643766-5	BRUSH HOLDER		2		
088	266421-8	TAPPING SCREW 3X10		2		
089	194074-2	CARBON BRUSH CB-325		1		
090	631754-4	LED CIRCUIT		1		
091	419983-7	REAR COVER		1		
092	266326-2	TAPPING SCREW 4X18		2		
093	638568-2	CHOKE COIL UNIT		1		
094	638567-4	LEAD UNIT		1		
095	638566-6	LEAD UNIT		1		
096	266326-2	TAPPING SCREW 4X18		1		
097	158284-5	CHANGE LEVER COMPLETE		1		
098	234022-0	COMPRESSION SPRING 14		1		
099	266326-2	TAPPING SCREW 4X18		2		
100	419995-0	SPRING GUIDE		1		
101	419979-8	HANDLE BASE		1		
102	911258-5	PAN HEAD SCREW M5X35		2		
103	266420-0	TAPPING SCREW 5X20		2		
104	863925-7	HR2811F NAME PLATE		1		
105	419992-6	F/R CHANGE LEVER		1		
106	419994-2	DUST COVER SUPPORT		1		
107	424029-6	DUST COVER		1		
108	419978-0	HANDLE		1		
109	631753-6	POWER SUPPLY CIRCUIT		1		
110	419990-0	SWITCH LEVER		1		
111	158281-1	SWITCH HOLDER COMPLETE		1		
112	650591-7	SWITCH		1		
113	419980-3	HANDLE COVER		1		
114	266326-2	TAPPING SCREW 4X18		1		
115	665890-4	POWER SUPPLY CORD 1.0-2-4.0		1		
116	682573-1	CORD GUARD 10		1		
117	266326-2	TAPPING SCREW 4X18		1		
118	687169-3	STRAIN RELIEF		1		
119	685722-9	SPONGE		1		
120	313139-3	SHOULDER SLEEVE 6		2	*	
120-1	459895-2	SHOULDER SLEEVE 6	O	2		
121	266041-8	TAPPING SCREW 5X25		2		
122	819355-0	CLEAR LABEL		1	*	
122-1	892373-3	CLEAR LABEL		1		
A01	324219-0	DEPTH GAUGE		1		
A02	824789-4	PLASTIC CARRYING CASE		1		
C10	324207-7	SHAFT		1		
C20	417724-5	LATCH		2		
C30	419216-0	HANDLE		1		
A03	805774-6	HR2811F PLASTIC CASE LABEL		1	*	
B01	195206-4	HAMMER SERVICE KIT SET		1		
C10	181490-7	HAMMER GREASE 30G		2		

D10		INC. 1,21,28,30,31,38,89				
F24	192349-3	JOINT 25		1		
A02	821550-0	CONNECTOR PLASTIC CASE (TYPE2)		1		
C10	453974-8	LATCH		4		
A03	802S33-3	HR2811FJ PLASTIC CASE LABEL		2		
A04	802S32-5	HR2811FJ INDICATION LABEL		1		
A05	837868-9	INNER TRAY		1		

Please state Parts No. when your order.

Print Date 22/11/2023