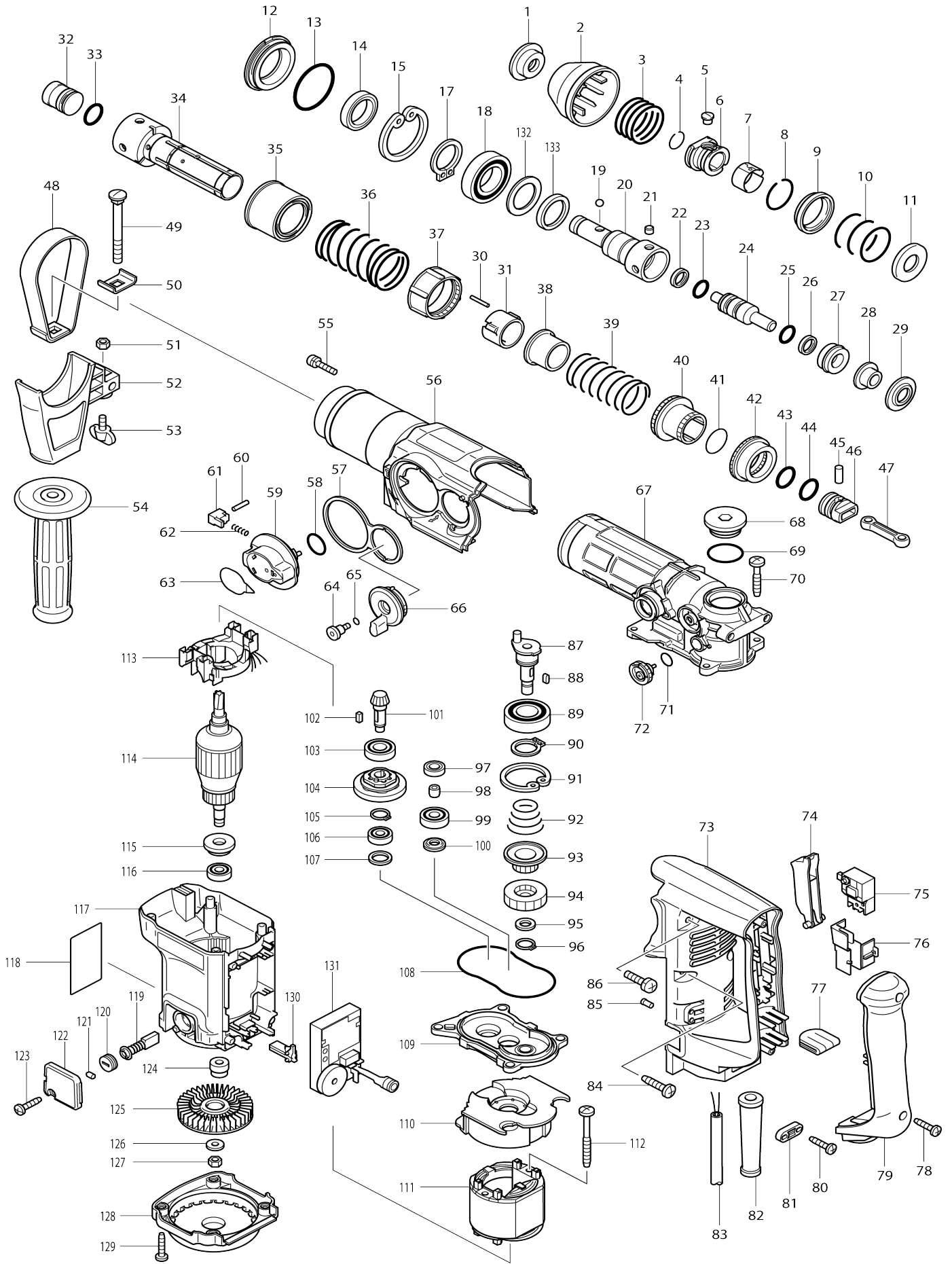


Model No.HR3000C ROTARY HAMMER 30MM



Model No.HR3000C ROTARY HAMMER 30MM

Item No.	Parts No.	Description	Interchangeability	Q'ty	New/Old	Note1	Note2
001	286253-7	CAP 40		1			
002	417027-7	CHUCK COVER		1			
003	233203-3	COMPRESSION SPRING 38		1			
004	231979-6	RING SPRING 17		1			
005	256447-8	PIN 8		1			
006	323820-8	CHUCK RING		1			
007	232190-3	LEAF SPRING 26		1			
008	231936-4	RING SPRING 30.5		1			
009	323819-3	SPRING GUIDE		1			
010	233234-2	COMPRESSION SPRING 35		1			
011	344841-7	GUIDE WASHER		1			
012	417015-4	SEAL CASE		1			
013	213615-6	O RING 46		1			
014	213436-6	OIL SEAL 28		1			
015	962251-2	RETAINING RING R-52		1			
017	961108-4	RETAINING RING S-28		1			
018	211422-1	BALL BEARING 60/28LLU		1			
019	216022-2	STEEL BALL 7.0		1			
020	323912-3	TOOL HOLDER		1			
021	256293-9	PIN 8		4			
022	213321-3	FLUORO CARBON RESIN RING 20		1			
023	213228-3	O RING 15		1			
024	323913-1	IMPACT BOLT		1			
025	213228-3	O RING 15		1			
026	213321-3	FLUORO CARBON RESIN RING 20		1			
027	421703-7	RUBBER RING 13		1	*		
027-1	421830-0	RUBBER RING 13	S	1			
028	331555-7	SLEEVE 12		1			
029	267753-6	WASHER 19		1			
030	256176-3	PIN 2.5		3			
031	417023-5	PIN HOLDER		1	*		
031-1	418023-8	PIN HOLDER	S	1			
032	323936-9	STRIKER		1			
033	213274-6	O RING 18		1			
034	331559-9	CYLINDER 25		1			
035	331563-8	SLEEVE 50		1			
036	233253-8	COMPRESSION SPRING 40		1			
037	417020-1	LOCK SLEEVE		1			
038	331557-3	RING 29		1			
039	233254-6	COMPRESSION SPRING 34		1			
040	331558-1	DRIVING SLEEVE		1			
041	213435-8	O RING 26		1			
042	226783-6	SPIRAL BEVEL GEAR 37		1			
043	213274-6	O RING 18		1			
044	213274-6	O RING 18		1			
045	256292-1	PIN 7		1			
046	417021-9	PISTON		1			

047	417016-2	ROD		1		
048	344811-6	GRIP SPRING 63		1		
049	266163-4	CUP SQUARE NECK BOLT M8X80		1		
050	344492-6	PLATE		1		
051	931302-2	HEX. NUT M6		1		
052	417026-9	SIDE GRIP BASE 63		1		
053	265701-9	THUMB SCREW M6X14		1		
054	152554-4	GRIP 36 COMPLETE		1		
055	911118-1	PAN HEAD SCREW M4X12		1		
056	151697-9	CRANK HOUSING COVER COMPLETE		1		
C10	816356-9	INDICATION LABEL		1		
057	421704-5	DUSTPROOF WASHER		1		
058	213304-3	O RING 20		1		
059	151693-7	CHANGE LEVER COMPLETE		1		
060	256219-1	PIN 4		1		
061	417018-8	LOCK BUTTON		1		
062	233188-3	COMPRESSION SPRING 2.4		1		
063	816329-2	INDICATION LABEL		1		
064	265077-4	HEX. SOCKET FLAT HEAD SCREW M5		1		
065	213023-1	O RING 4		1		
066	151694-5	SHIFT LEVER COMPLETE		1		
067	151709-8	CRANK HOUSING COMPLETE		1		
068	416124-6	CRANK CAP		1	*	
068-1	416124-6	CRANK CAP	O	1		
069	213406-5	O RING 30		1		
070	266173-1	TAPPING SCREW 5X30		4		
071	213070-2	O RING 10		1		
072	151758-5	SPUR GEAR 21 COMPLETE		1		
073	417014-6	HANDLE		1		
074	416284-4	SWITCH LEVER		1		
075	651922-3	SWITCH TG71B		1	*	
075-1	650677-7	SWITCH C3PA-1112	<	1	*	
075-2	651922-3	SWITCH TG71B	<	1	*	
075-3	650677-7	SWITCH C3PA-1112	<	1		
076	416126-2	LEAD GUIDE		1		
077	421583-1	SPONGE SHEET		1		
078	265995-6	TAPPING SCREW 4X18		2		
079	417028-5	HANDLE COVER		1		
080	265995-6	TAPPING SCREW 4X18		2		
081	687053-2	STRAIN RELIEF		1		
082	682560-0	CORD GUARD 10		1		
083K_	695123-3	POWER SUPPLY CORD 1.5-2-4.0		1		
084	266021-4	TAPPING SCREW 5X20		4		
085	416285-2	ACRYLIC PIN 5		2		
086	911233-1	PAN HEAD SCREW M5X20		2		
087	323915-7	CRANK SHAFT		1		
088	254239-9	KEY 4		2		
089	211332-2	BALL BEARING 6004LLU		1		
090	961060-6	RETAINING RING S-20		1		
091	962211-4	RETAINING RING R-42		1		

092	231991-6	CONICAL COMP. SPRING 21-31		1		
093	223130-2	CLUTCH		1		
094	226514-3	HELICAL GEAR 34		1		
095	253878-2	FLAT WASHER 10		1		
096	961006-2	RETAINING RING S-10		1		
097	213071-0	OIL SEAL 10		1		
098	331564-6	SLEEVE 10		1		
099	210058-3	BALL BEARING 6000LU		1		
100	253171-4	FLAT WASHER 10		1		
101	226782-8	SPIRAL BEVEL GEAR 10		1		
102	254202-2	KEY 4		1		
103	211138-8	BALL BEARING 6001LLU		1		
104	151692-9	TORQUE LIMITER COMPLETE		1	*	
104-1	152955-6	TORQUE LIMITER COMPLETE	O	1		
105	961006-2	RETAINING RING S-10		1		
106	210024-0	BALL BEARING 608LLU		1		
107	253314-8	THIN WASHER 15		1		
108	421702-9	SEAL RING		1		
109	151695-3	GEAR HOUSING COMPLETE		1		
110	417010-4	BAFFLE PLATE		1		
111A_	634348-4	FIELD 220-240V		1		
112	266046-8	TAPPING SCREW 5X50		2		
113	632933-7	SUPPORT COMPLETE		1		
114B_	516383-3	ARMATURE ASS'Y 220-240V		1	*	
D10		INC. 115,116				
114B1	513518-7	ARMATURE ASS'Y 220-240V	S	1	*	
D10		INC. 115,116				
114B2	513518-7	ARMATURE ASS'Y 220-240V	<	1		
D10		INC. 98,115,116				
115	681650-6	INSULATION WASHER		1		
116	210005-4	BALL BEARING 608DDW		1		
117	151840-0	MOTOR HOUSING COMPLETE		1		
C10	632925-6	LEAD UNIT		1		
C20	643754-2	BRUSH HOLDER		1		
C30	643757-6	BRUSH HOLDER 5X11		1		
118	851772-8	NAME PLATE HR3000C		1		
119	191961-6	A.C. CARBON BRUSH CB-304		1	*	
119-1	193922-2	CARBON BRUSH CB-323	O	1	*	
119-2	194285-9	CARBON BRUSH CB-327	<	1		
120	643750-0	BRUSH HOLDER CAP 7-11		2	*	
120-1	643515-0	HOLDER CAP 7-11	O	2		
121	263002-9	RUBBER PIN 4		2		
122	417024-3	BRUSH HOLDER COVER		2		
123	265995-6	TAPPING SCREW 4X18		2		
124	323937-7	SHOULDER SLEEVE 7		1	*	
124-1	324261-1	SHOULDER SLEEVE 7	S	1		
125	241863-7	FAN 70		1		
126	253047-5	FLAT WASHER 6		1	*	
126-1	941151-9	FLAT WASHER 6	<	1		
127	931302-2	HEX. NUT M6		1	*	
127-1	252153-3	HEX. NUT M6-10	X	1		
128	417012-0	REAR COVER		1		

129	265995-6	TAPPING SCREW 4X18		4		
130	417017-0	FIX ROD		1		
131B_	631369-7	CONTROLLER		1		
132	267088-5	FLAT WASHER 28		1		
133	262088-0	URETHANE RING 28		1		
134	253133-2	FLAT WASHER 7		1		
A01	181573-3	GREASE VESSEL 93G		1	*	
A01-1	181573-3	GREASE VESSEL 93G	O	1	*	
A01-2	194683-7	GREASE VESSEL SET	O	1		
A02	321248-4	DEPTH GAUGE		1		
A03	824559-1	PLASTIC CARRYING CASE		1		
C10	416401-6	LATCH		2	*	
C11	163467-4	LATCH	X	2		
C20	819145-1	MAKITA LOGO LABEL		1		
B01	134889-5	GRIP 36 ASS'Y		1		
D10		INC. 48-54,A02				
E01	819001-5	MAKITA LABEL		2		

Please state Parts No. when your order.

Print Date 24.10.2023