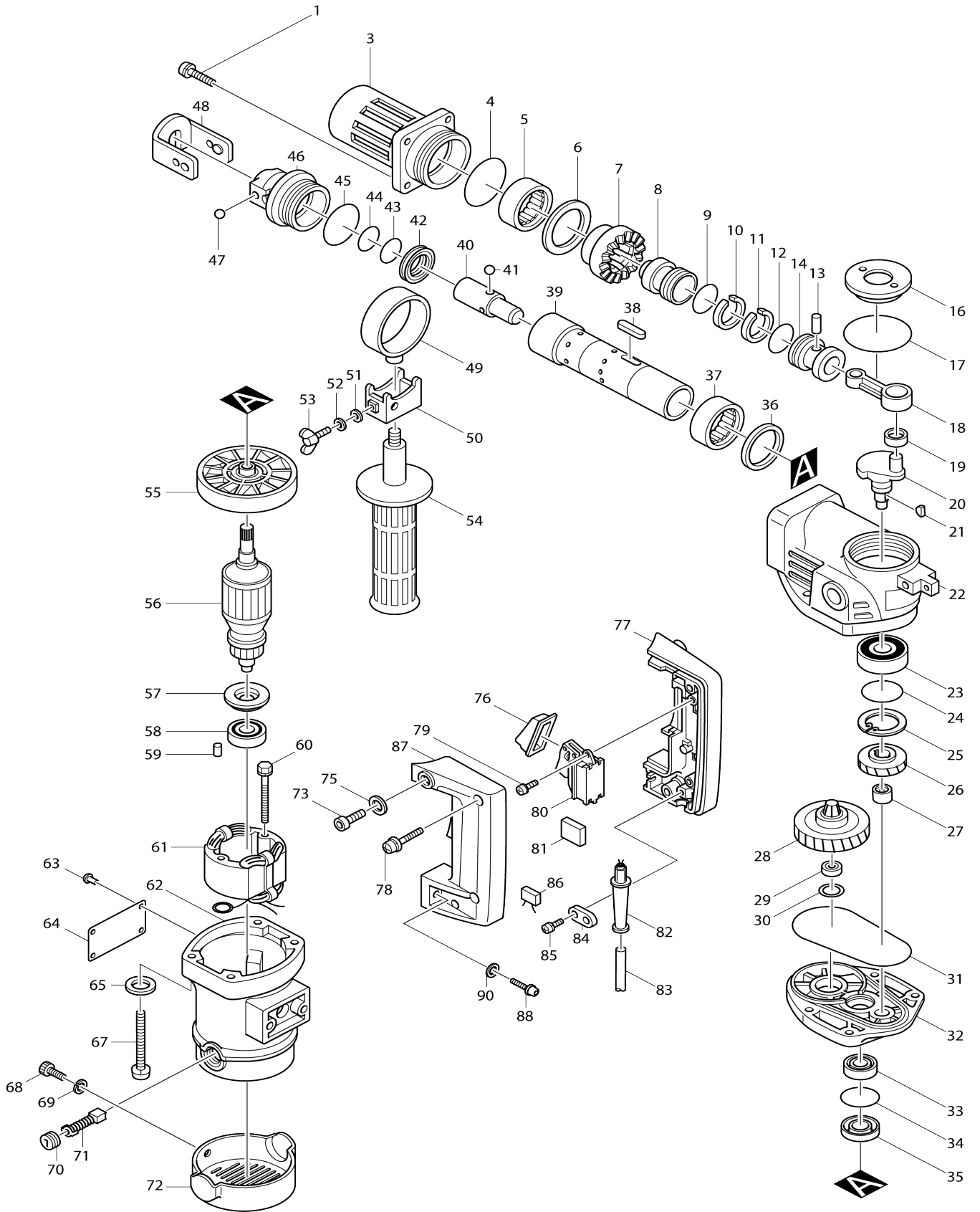


# Model No.HR3520 ROTARY HAMMER 35MM



Model No.HR3520 ROTARY HAMMER 35MM

Item No.	Parts No.	Description	Interchangeability	Q'ty	New/Old	Note1	Note2
001-1	922341-3	HEX. SOCKET HEAD BOLT M6X25		4			
003	311612-7	BARREL		1			
004	213655-4	O RING 56		1			
005	212502-6	NEEDLE BEARING 4016		1			
006	253817-2	FLAT WASHER 40		1			
007	221367-5	SPIRAL BEVEL GEAR 36		1			
008-1	322197-8	STRIKER		1	*		
008-2	322806-9	STRIKER	X	1			
009-1	213381-5	O RING 21		1			
010	412037-9	PISTON RING 29		1			
011	412037-9	PISTON RING 29		1			
012-1	213381-5	O RING 21		1			
013	256006-8	PIN 8		1			
014-1	322196-0	PISTON		1			
016-1	150367-7	CRANK CAP COMPLETE		1	*		
C10	810712-5	CAUTION LABEL		1	*		
016-2	411662-3	CRANK CAP	O	1			
017	213554-0	O RING 44		1			
018	315248-4	ROD		1			
019	212065-2	NEEDLE BEARING 1012		1			
020	321725-6	CRANK SHAFT		1			
021	254002-0	WOODRUFF KEY 3		2			
022-1	159507-4	CRANK HOUSING		1			
C10	810710-9	CAUTION LABEL		1			
D10		INC. 24					
023	211259-6	BALL BEARING 6203		1	*		
023-1	211281-3	BALL BEARING 6203LLU	O	1			
024	213507-9	O RING 40		1			
025	962157-4	RETAINING RING R-40		1			
026	221676-2	HELICAL GEAR 36		1			
027	212005-0	NEEDLE BEARING 810		1			
028-2	151176-7	TORQUE LIMITER COMPLETE		1			
029	211034-0	BALL BEARING 608		1			
030	253314-8	THIN WASHER 15		1			
031	213854-8	O RING 97		1	*		
031-1	421688-7	SEAL RING	X	1			
032	157304-2	GEAR HOUSING		1	*		
D10		INC. 34					
032-1	157304-2	GEAR HOUSING	<	1			
D10		INC. 34					
033	211109-5	BALL BEARING 6201		1			
034	213459-4	O RING 32		1			
035	213160-1	OIL SEAL 14		1			
036-1	267060-7	FLAT WASHER 35		1			
037	212502-6	NEEDLE BEARING 4016		1			
038-1	254231-5	KEY 4		2			
039-1	152338-0	CYLINDER LINER COMPLETE		1			

D10		INC. 38				
040-1	322237-2	IMPACT BOLT		1		
041	216004-4	STEEL BALL 7.9		3		
042-1	213383-1	X RING 25		1		
043	213374-2	O RING 23.5		1		
044	213374-2	O RING 23.5		1		
045	213554-0	O RING 44		1		
046-2	322327-1	TOOL HOLDER		1		
047	216004-4	STEEL BALL 7.9		1		
048-2	164942-3	TOOL RETAINER		1	*	
048-3	165227-0	TOOL RETAINER	X	1		
049	164569-9	GRIP HOLDER		1		
050	164543-7	GRIP BASE		1		
051	261049-7	RUBBER WASHER 5.5		1		
052	261049-7	RUBBER WASHER 5.5		1		
053	924321-5	WING BOLT M6X18		1		
054	273472-4	GRIP 32		1		
055	241827-1	FAN 82		1		
056C_	512818-2	ARMATURE ASS'Y 220V		1		
D10		INC. 55,57,58				
057-1	681625-5	INSULATION WASHER		1		
058	211033-2	BALL BEARING 608LB		1		
059	263014-2	RUBBER PIN 4		1		
060-2	265345-5	+ HEX. BOLT M5X60		2		
061F_	528706-3	FIELD ASS'Y 220V		1		
C10	654019-7	RING TERMINAL		2		
C20	654501-6	CONNECTOR P-1.25		2		
062	157305-0	MOTOR HOUSING		1	*	
C10	643603-3	BRUSH HOLDER 6-10		2	*	
C20	913206-0	SET SCREW M5X8		2	*	
D10		INC. 59				
062-1	183383-4	MOTOR HOUSING	O	1		
C10	643603-3	BRUSH HOLDER 6-10		2		
C20	913206-0	SET SCREW M5X8		2		
C30	819063-3	MAKITA LABEL		2		
D10		INC. 59				
063	953106-2	RIVET 0-5		4		
064	855125-3	NAME PLATE HR3520		1		
065	941152-7	FLAT WASHER 6		4		
067-1	922371-4	HEX. SOCKET HEAD BOLT M6X50		4		
068-2	922222-1	HEX. SOCKET HEAD BOLT M5X16		1	*	
068-3	922221-3	HEX. SOCKET HEAD BOLT M5X16	S	1		
069-1	942101-7	SPRING WASHER 5		1	*	
070	643600-9	BRUSH HOLDER CAP 6-10		2		
071	181038-5	A.C. CARBON BRUSH CB-105		1		
072	284056-3	REAR COVER		1		
073-1	922336-6	HEX. SOCKET HEAD BOLT M6X22		2		
075	941152-7	FLAT WASHER 6		2		
076	421265-5	DUST COVER		1		
077	181653-5	HANDLE SET		1		
D10		INC. 87				
078	911243-8	PAN HEAD SCREW M5X25		3		

079	911129-6	PAN HEAD SCREW M4X16		1			
080-1	651145-3	SWITCH C3D-H-MS		1			
081	685700-9	SPONGE SHEET		1			
082B_	682540-6	CORD GUARD 9.3-90		1	*		
082B1	682505-8	CORD GUARD 10-90	O	1			
083F1	665883-1	POWER SUPPLY CORD 1.0-2-5.0		1			
084C_	687031-2	STRAIN RELIEF		1			
085-1	911133-5	PAN HEAD SCREW M4X18		2			
086C1	645253-0	NOISE SUPPRESSOR		1			
087	181653-5	HANDLE SET		1			
D10		INC. 77					
088-1	922341-3	HEX. SOCKET HEAD BOLT M6X25		2			
090	941152-7	FLAT WASHER 6		2			
400	783202-0	HEX. WRENCH 4		1			
402	321248-4	DEPTH GAUGE		1			
403B_	150597-0	PLASTIC CARRYING CASE COMPLETE		1			
C10	817812-2	CAUTION LABEL		1			
C20	416401-6	LATCH		2	*		
C21	163467-4	LATCH	X	2			
C30	819145-1	MAKITA LOGO LABEL		1			
408	835274-2	INNER CASE		1	*		
906	646324-6	LINE COIL		1			
F81	1914C5-7	GREASE SET		1			

Please state Parts No. when your order.

Print Date 01/29/2024