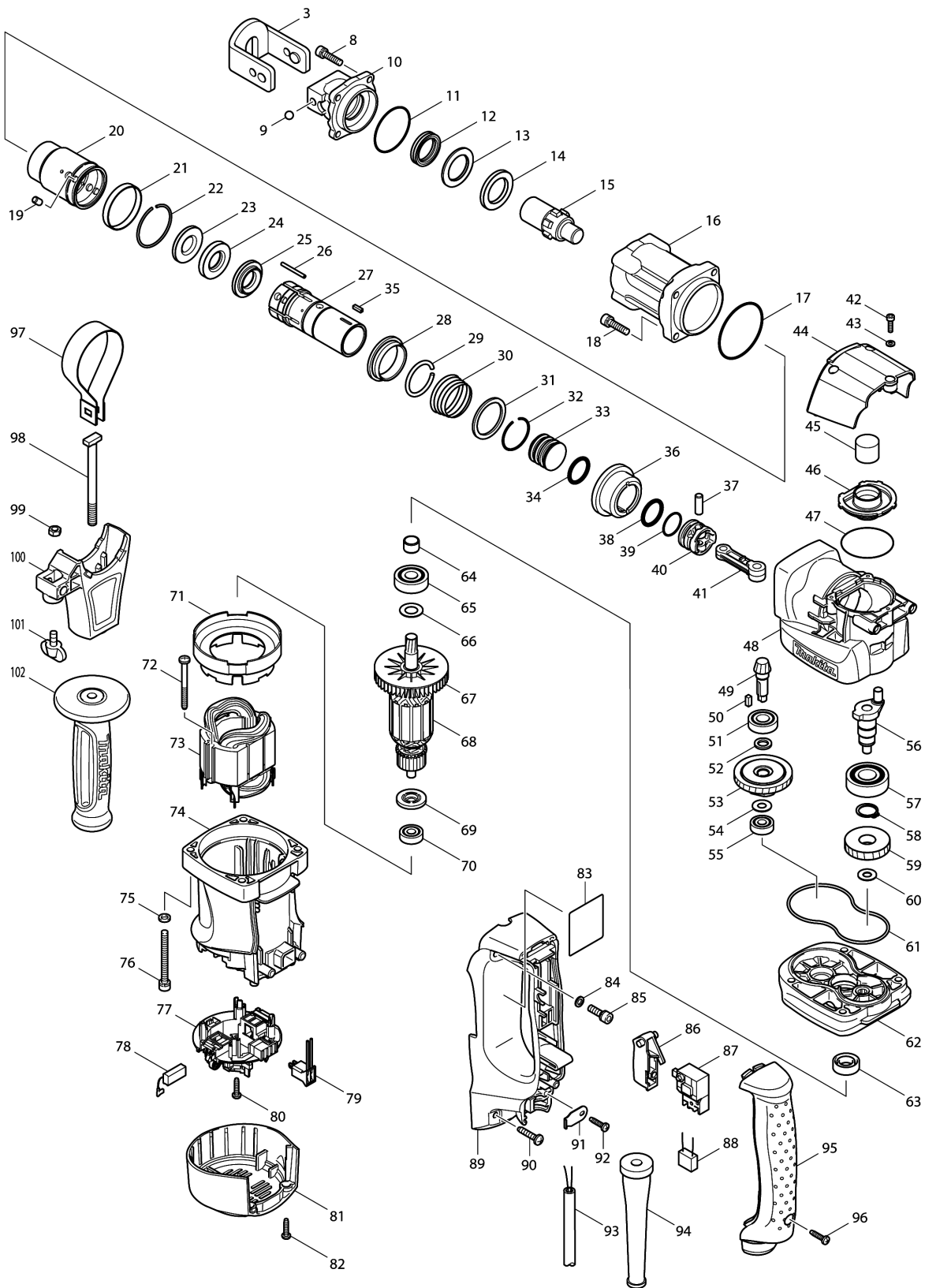


Model No.HR3530 ROTARY HAMMER 35MM



Model No.HR3530 ROTARY HAMMER 35MM

Item	Parts No.	Description	I/C	Qty	New/Old	Opt. 1	Opt. 2	Note
003	165227-0	TOOL RETAINER		1				
008	265914-2	HEX. SOCKET HEAD BOLT M6X25		4				
009	216004-4	STEEL BALL 7.9		1				
010	324771-8	TOOL HOLDER		1				
011	213569-7	O RING 45		1				
012	213383-1	X RING 25		1				
013	261137-0	NYLON WASHER 26		1				
014	267350-8	FLAT WASHER 26		1				
015	324772-6	IMPACT BOLT		1				
016	158240-5	BARREL COMPLETE		1				
017	213655-4	O RING 56		1				
018	265914-2	HEX. SOCKET HEAD BOLT M6X25		4				
019	256266-2	PIN 6		4				
020	331765-6	CYLINDER A		1				
021	257287-7	RING 44		1				
022	233958-0	RING SPRING 41		1				
023	324773-4	WASHER 17		1				
024	262131-5	NYLON RING 18		1				
025	324774-2	SHOULDER WASHER 18		1				
026	268182-6	PIN 3		4				
027	331766-4	CYLINDER B		1	*			
027-1	331806-8	CYLINDER B	S	1				
028	331767-2	RING 34		1				
029	233935-2	RING SPRING 32		1				
030	233959-8	C. C. SPRING 35-40		1				
031	267339-6	FLAT WASHER 34		1				
032	233945-9	RING SPRING 32		1	*			
032-1	233935-2	RING SPRING 32	S	1				
033	324775-0	STRIKER		1				
034	213962-5	O RING 22		1				
035	254236-5	KEY 3		2				
036	227516-2	SPIRAL BEVEL GEAR 39		1				
037	256197-5	PIN 7		1				
038	213962-5	O RING 22		1				
039	213379-2	O RING 21		1				
040	419004-5	PISTON		1				
041	419878-4	CONNECTING ROD		1				
042	266148-0	HEX. SOCKET HEAD BOLT M4X14		3	*			
042-1	251590-8	HEX.SOCKET HEAD BOLT M4X14	S	3				
043	941052-1	FLAT WASHER 4		3	*			
044	419880-7	CRANK CAP COVER		1				
045	443127-7	FILTER		1				
046	419879-2	CRANK CAP		1				
047	213606-7	O RING 48		1	*			

Please order the parts with part number.

Print Date 1/11/2023

Model No.HR3530 ROTARY HAMMER 35MM

Item	Parts No.	Description	I/C	Qty	New/Old	Opt. 1	Opt. 2	Note
047-1	213608-3	O RING 47	<	1				
048	158241-3	CRANK HOUSING COMPLETE		1				
049	227515-4	SPIRAL BEVEL GEAR 9		1				
050	254239-9	KEY 4		1				
051	211138-8	BALL BEARING 6001LLU		1				
052	267347-7	FLAT WASHER 10		1				
053	125399-3	TORQUE LIMITER ASS'Y		1				
054	253139-0	FLAT WASHER 8		1				
055	210005-4	BALL BEARING 608DDW		1				
056	324776-8	CRANK SHAFT		1				
057	211281-3	BALL BEARING 6203LLU		1				
058	961057-5	RETAINING RING S-17		1				
059	226649-0	HELICAL GEAR 32		1				
060	253865-1	FLAT WASHER 8		1				
061	424022-0	SEAL RING		1				
062	158242-1	GEAR HOUSING COMPLETE		1				
063	213231-4	OIL SEAL 15		1				
064	331596-3	SLEEVE 12		1				
065	211137-0	BALL BEARING 6201LLU		1				
066	253084-9	FLAT WASHER 12		1				
067	241863-7	FAN 70		1				
068	513723-6	ARMATURE ASS'Y 220V		1				
D10		INC. 67,69,70						
069	681644-1	INSULATION WASHER		1				
070	210005-4	BALL BEARING 608DDW		1				
071	419881-5	BAFFLE PLATE		1				
072	266095-5	TAPPING SCREW 5X55		2				
073	625779-8	FIELD 240V		1	*			
073-1	625779-8	FIELD 240V	O	1				
074	419882-3	MOTOR HOUSING		1				
075	941151-9	FLAT WASHER 6		4	*			
076	922381-1	HEX. SOCKET HEAD BOLT M6X60		4	*			
076-1	922384-5	H.S.H.BOLT M6X60 WITH WG	S	4				
077	638501-4	BRUSH HOLDER UNIT		1				
C10	643816-6	BRUSH HOLDER		2				
C20	266007-8	TAPPING SCREW BIND PT 3X10		4				
078	194160-9	CARBON BRUSH CB-350		1	*			
078-1	195004-6	CARBON BRUSH SET CB-350	O	1				
079	638507-2	LEAD UNIT		1				
080	265995-6	TAPPING SCREW 4X18		4				
081	419883-1	REAR COVER		1				
082	265995-6	TAPPING SCREW 4X18		2				
083	863763-7	HR3530 NAME PLATE		1	*			
083-1	8580L3-0	HR3530 NAME PLATE	O	1				

Please order the parts with part number.

Print Date 1/11/2023

Model No.HR3530 ROTARY HAMMER 35MM

Item	Parts No.	Description	I/C	Qty	New/Old	Opt. 1	Opt. 2	Note
084	941152-7	FLAT WASHER 6		2	*			
085	265905-3	HEX. SOCKET HEAD BOLT M6X20		2	*			
085-1	251591-6	HEX.SOCKET HEAD BOLT M6X20	S	2				
086	418549-0	SWITCH LEVER		1				
087	651922-3	SWITCH TG71B		1	*			
087-1	650677-7	SWITCH C3PA-1112	<	1				
088	645105-5	NOISE SUPPRESSOR		1				
089	158243-9	HANDLE COMPLETE		1				
090	266041-8	TAPPING SCREW 5X25		2				
091	687169-3	STRAIN RELIEF		1				
092	265995-6	TAPPING SCREW 4X18		1				
093	695123-3	POWER SUPPLY CORD 1.5-2- 4.0		1				
094	682560-0	CORD GUARD 10		1				
095	419677-4	HANDLE COVER		1				
096	265995-6	TAPPING SCREW 4X18		1				
097	345361-4	GRIP SPRING 60		1				
098	266406-4	SQUARE BOLT M8X95		1	*			
098-1	266406-4	SQUARE BOLT M8X95	<	1				
099	931302-2	HEX. NUT M6		1				
100	419885-7	SIDE GRIP BASE 61		1				
101	265701-9	THUMB SCREW M6X14		1				
102	158131-0	GRIP 36 COMPLETE		1				
A01	158256-0	PLASTIC CARRYING CASE COMPLETE		1	*			
C10	162202-7	LATCH		2	*			
C20	416549-4	HANDLE		1	*			
C30	416556-7	COVER		2	*			
C40	819140-1	MAKITA LOGO LABEL		1	*			
C50	817812-2	CAUTION LABEL		1	*			
A01-1	824796-7	PLASTIC CARRYING CASE	<	1				
C10	162202-7	LATCH		2				
C20	416549-4	HANDLE		1				
C30	416556-7	COVER		2				
C40	819140-1	MAKITA LOGO LABEL		1				
A02	321248-4	DEPTH GAUGE		1				
A03	805857-2	HR3530 MODEL NO. LABEL		1				
B01	195211-1	HAMMER SERVICE KIT SET		1				
C10	181490-7	HAMMER GREASE 30G		2				
D10		INC. 12,34,38,63,78						
F86-1	199143-4	DUST EXTRACTOR ATT SET(EU)	<	1				
F87-1	199143-4	DUST EXTRACTOR ATT SET(EU)	<	1				
F89-1	199144-2	DUST EXTRACTOR ATT SET(EU)	<	1				
C10	417765-1	FRONT CUFF 22		1				

Please order the parts with part number.

Print Date 1/11/2023

Model No.HR3530 ROTARY HAMMER 35MM

Item	Parts No.	Description	I/C	Qty	New/Old	Opt. 1	Opt. 2	Note
C20	417766-9	FRONT CUFF 38		1				
C30	415021-3	HOSE JOINT		1				
F90-1	199144-2	DUST EXTRACTOR ATT SET(EU)	<	1				
C10	417765-1	FRONT CUFF 22		1				
C20	417766-9	FRONT CUFF 38		1				
C30	415021-3	HOSE JOINT		1				

Please order the parts with part number.

Print Date 1/11/2023