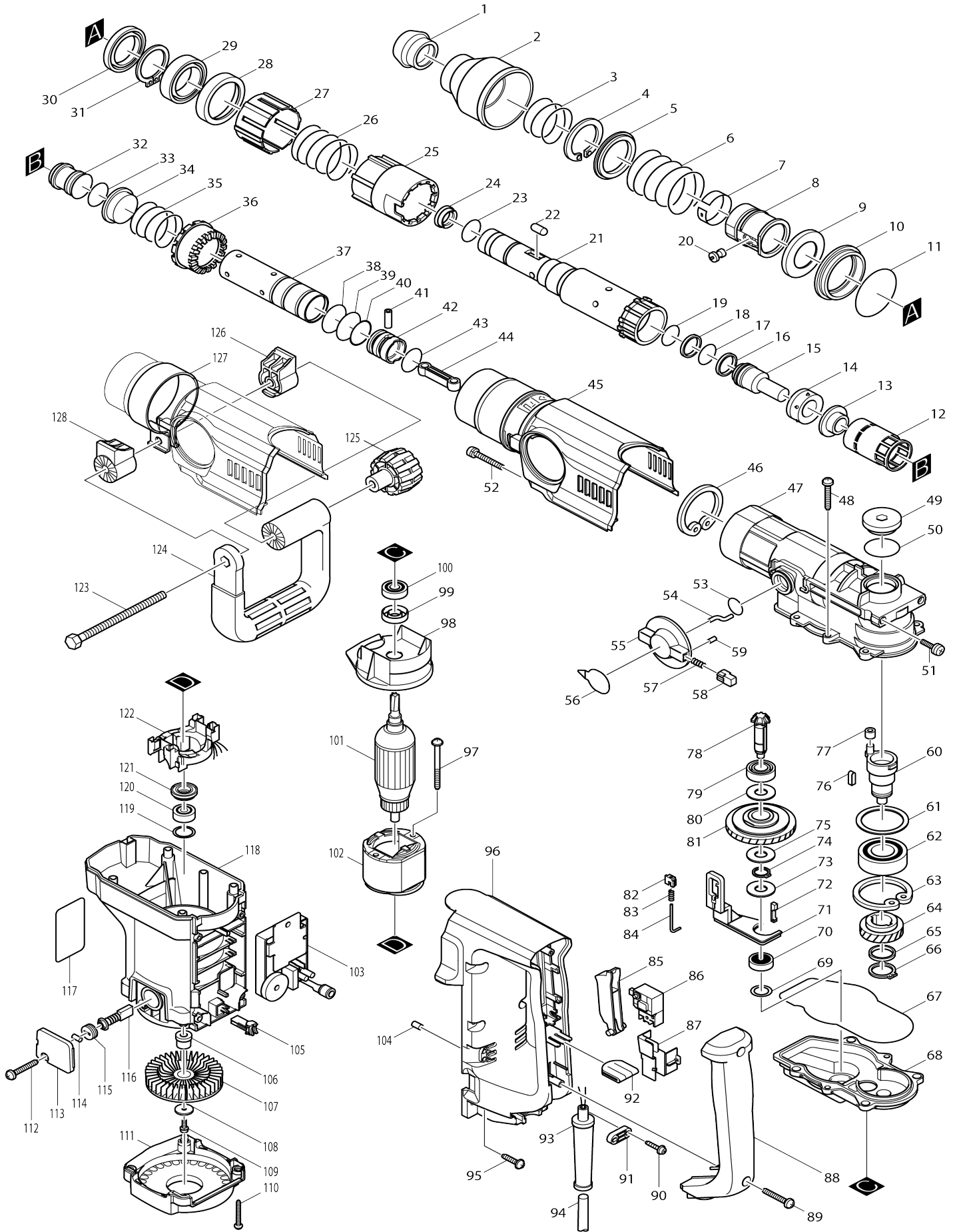


Model No.HR4000C ROTARY HAMMER 40MM



Model No.HR4000C ROTARY HAMMER 40MM

Item No.	Parts No.	Description	Interchangability	Q'ty	New/Old	Note1	Note2
001	286247-2	TOOL HOLDER CAP		1			
002	416127-0	CHUCK COVER		1			
003	233178-6	COMPRESSION SPRING 46		1			
004	961176-7	RETAINING RING S-40		1			
005	344489-5	WASHER 40		1			
006	233179-4	COMPRESSION SPRING 50		1			
007	232171-7	LEAF SPRING 37		1			
008	322948-9	CHUCK RING		1			
009	344488-7	CUP WASHER 32		1			
010	416283-6	SEAL CASE		1			
011	213601-7	O RING 50		1			
012	416282-8	SLIDE SLEEVE		1			
013	331505-2	SLEEVE 16		1			
014	421582-3	RUBBER RING 17		1			
015	322959-4	IMPACT BOLT		1			
016	213392-0	FLUORIDE RING 25		1			
017	213317-4	O RING 20		1			
018	213392-0	FLUORIDE RING 25		1			
019	213317-4	O RING 20		1			
020	310052-6	SHOULDER PIN 8		1			
021	322952-8	TOOL HOLDER		1			
022	322908-1	ROLLER 8		2			
023	231977-0	RING SPRING 25		1			
024	213271-2	DUST SEAL 18		1			
025	416125-4	LOCK SLEEVE A		1			
026	233177-8	COMPRESSION SPRING 44		1			
027	416325-6	LOCK SLEEVE B		1			
028	331510-9	BEARING HOLDER		1			
029	211469-5	BALL BEARING 6907		1			
030	213480-3	OIL SEAL 35		1			
031	961153-9	RETAINING RING S-35		1			
032	322960-9	STRIKER		1			
033	213370-0	O RING 22		1			
034	331509-4	RING 33		1			
035	233176-0	COMPRESSION SPRING 37		1			
036	226745-4	STRAIGHT BEVEL GEAR 33		1			
037	331508-6	CYLINDER 28.5		1			
038	213406-5	O RING 30		1			
039	213406-5	O RING 30		1			
040	213370-0	O RING 22		1			
041	331507-8	PIPE 4		1	*		
041-1	256197-5	PIN 7	O	1			
042	416122-0	PISTON		1			
043	213370-0	O RING 22		1			
044	416123-8	ROD		1			
045	159967-0	CRANK HOUSING COVER COMPLETE		1	*		
C10	817280-9	CAUTION LABEL		1	*		

045-1	151761-6	CRANK HOUSING COVER COMPLETE	S	1		
C10	817280-9	CAUTION LABEL		1		
046	962253-8	RETAINING RING R-56		1		
047	159948-4	CRANK HOUSING COMPLETE		1		
048	266012-5	TAPPING SCREW 5X35		6		
049	416124-6	CRANK CAP		1	*	
049-1	416124-6	CRANK CAP	O	1		
050	213406-5	O RING 30		1		
051	911233-1	PAN HEAD SCREW M5X20		2		
052	911128-8	P.H.SCREW M4X16 WITH WR		1		
053	213304-3	O RING 20		1		
054	322962-5	CRANK PIN 4		1		
055	416287-8	CHANGE LEVER		1		
056	816329-2	INDICATION LABEL		1		
057	233188-3	COMPRESSION SPRING 2.4		1		
058	416286-0	LOCK BUTTON		1	*	
058-1	417340-3	LOCK BUTTON	X	1		
059	256122-6	PIN 4		1		
060	322949-7	CRANK SHAFT		1	*	
060-1	323929-6	CRANK SHAFT	X	1		
061	267169-5	FLAT WASHER 42		1		
062	211373-8	BALL BEARING 6205LLU		1		
063	962251-2	RETAINING RING R-52		1		
064	226479-9	HELICAL GEAR 37		1		
065	267121-3	FLAT WASHER 20		1		
066	961060-6	RETAINING RING S-20		1		
067-1	421613-8	SEAL RING		1		
068	159949-2	GEAR HOUSING COMPLETE		1		
069	253314-8	THIN WASHER 15		1		
070	211031-6	BALL BEARING 608LLB		1		
071	416288-6	CHANGE LINK		1		
072	322951-0	CHANGE KEY		2		
073	253810-6	FLAT WASHER 12		1		
074	961052-5	RETAINING RING (EXT) S-12		1		
075	267113-2	FLAT WASHER 12		1		
076	254229-2	KEY 5		2		
077	257631-8	SLEEVE 7		1	*	
078	226746-2	STRAIGHT BEVEL GEAR 10		1		
079	211121-5	BALL BEARING 1207		1		
080	267113-2	FLAT WASHER 12		1		
081	159947-6	TORQUE LIMITER COMPLETE		1		
082	416289-4	SLIDE PLATE		1		
083	233180-9	COMPRESSION SPRING 3		1		
084	322963-3	GUIDE PIN 2		1		
085	416284-4	SWITCH LEVER		1		
086	651922-3	SWITCH TG71B		1	*	
086-1	650677-7	SWITCH C3PA-1112	<	1	*	
086-2	651922-3	SWITCH TG71B	<	1	*	
086-3	650677-7	SWITCH C3PA-1112	<	1		
087	416126-2	LEAD GUIDE		1		
088	416291-7	HANDLE COVER		1	*	

088-1	417165-5	HANDLE COVER	S	1			
089	265995-6	TAPPING SCREW 4X18		2			
090	265995-6	TAPPING SCREW 4X18		2			
091C_	687063-9	CORD CLAMP		1	*		
091C1	687052-4	STRAIN RELIEF	X	1			
092	421583-1	SPONGE SHEET		1			
093A_	682556-1	CORD GUARD 10		1	*		
093A1	682560-0	CORD GUARD 10	S	1			
094A_	665883-1	POWER SUPPLY CORD 1.0-2-5.0		1			
095	266021-4	TAPPING SCREW 5X20		4			
096	416290-9	HANDLE		1	*		
096-1	416985-4	HANDLE	S	1	*		
096-2	417164-7	HANDLE	S	1			
097	266044-2	TAPPING SCREW 5X60		2			
098	416296-7	BAFFLE PLATE		1	*		
098-1	416987-0	BAFFLE PLATE	S	1			
099	213112-2	OIL SEAL 12		1			
100	211064-1	BALL BEARING 6000		1	*		
100-1	211088-7	BALL BEARING 6000DDW	X	1	*		
100-2	210059-1	BALL BEARING 6000DDW	X	1			
101B_	516313-4	ARMATURE ASS'Y 220V		1	*		
D10		INC. 120,121					
101B1	516328-1	ARMATURE ASS'Y 220V	S	1			
D10		INC. 120,121					
102B_	634298-3	FIELD 220V		1			
103A_	631231-6	CONTROLLER		1	*		
103A1	631231-6	CONTROLLER	O	1	*		
103A2	631590-8	CONTROLLER	S	1			
104	416285-2	ACRYLIC PIN 5		2			
105	415695-0	FIX ROD		1	*		
105-1	417715-6	FIX ROD	<	1			
106	322961-7	SLEEVE 7		1			
107	241876-8	FAN 76		1			
108	267071-2	FLAT WASHER 4		1	*		
108-1	253804-1	FLAT WASHER 6	X	1			
109	911115-7	PAN HEAD SCREW M4X10		1	*		
109-1	931302-2	HEX. NUT M6	X	1			
110	265995-6	TAPPING SCREW 4X18		4			
111	416295-9	REAR COVER		1			
112	265995-6	TAPPING SCREW 4X18		2			
113	416292-5	BRUSH HOLDER COVER		2			
114	263002-9	RUBBER PIN 4		2			
115	643750-0	BRUSH HOLDER CAP 7-11		2	*		
115-1	643515-0	HOLDER CAP 7-11	O	2			
116	191961-6	A.C. CARBON BRUSH CB-304		1	*		
116-1	193922-2	CARBON BRUSH CB-323	O	1	*		
116-2	194285-9	CARBON BRUSH CB-327	<	1	*		
116-3	195003-8	CARBON BRUSH SET CB-327	O	1			
117	858714-3	NAME PLATE HR4000C		1			
118	159950-7	MOTOR HOUSING COMPLETE		1			
C10	643754-2	BRUSH HOLDER		1			

C20	643757-6	BRUSH HOLDER 5X11		1		
C30	819064-1	MAKITA MARK		2		
C40	632687-6	LEAD UNIT		1		
119	253343-1	THIN WASHER 18		1		
120	210005-4	BALL BEARING 608DDW		1		
121	681637-8	INSULATION WASHER		1	*	
121-1	681650-6	INSULATION WASHER	X	1		
122	632699-9	SUPPORT COMPLETE		1		
123	265439-6	HEX. BOLT M8X150		1		
124	416009-6	SIDE HANDLE		1	*	
124-1	417003-1	SIDE HANDLE	S	1		
125	252640-2	WING NUT M8		1		
126	416298-3	SIDE HANDLE BASE 68		1	*	
127	344490-0	HANDLE SPRING 68		1	*	
127-1	151769-0	SIDE HANDLE 68 COMPLETE	X	1		
128	416298-3	SIDE HANDLE BASE 68		1	*	
130	421698-4	DUSTPROOF WASHER 55		1		
131	417002-3	SIDE HANDLE CAM	S	2		
A01	181573-3	GREASE VESSEL 93G		1	*	
A01-1	181573-3	GREASE VESSEL 93G	O	1	*	
A01-2	194683-7	GREASE VESSEL SET	O	1		
A02	152554-4	GRIP 36 COMPLETE		1		
A03	265701-9	THUMB SCREW M6X14		1		
A04	266163-4	CUP SQUARE NECK BOLT M8X80		1		
A05-2	321248-4	DEPTH GAUGE		1		
A06	344491-8	GRIP SPRING 68		1		
A07	344492-6	PLATE		1		
A08	416299-1	SIDE GRIP BASE 68		1		
A09	931302-2	HEX. NUT M6		1		
A10	824479-9	PLASTIC CARRYING CASE		1		
C10	416401-6	LATCH		2		
C20	819145-1	MAKITA LOGO LABEL		1		
B01	134804-9	SIDE HANDLE ASS'Y		1	*	
D10		INC. 123-128				
B01-1	134886-1	SIDE HANDLE ASS'Y	X	1	*	
D10		INC. 123-125,127				
B01-2	134890-0	SIDE HANDLE 68 ASS'Y	O	1		
D10		INC. 123-125,127,131				
B02	134803-1	GRIP 36 ASS'Y		1		
D10		INC. A02-A09				
B03	134900-3	BEARING HOLDER ASS'Y		1		
D10		INC. 28,29				

Please state Parts No. when your order.

Print Date 10/13/2023