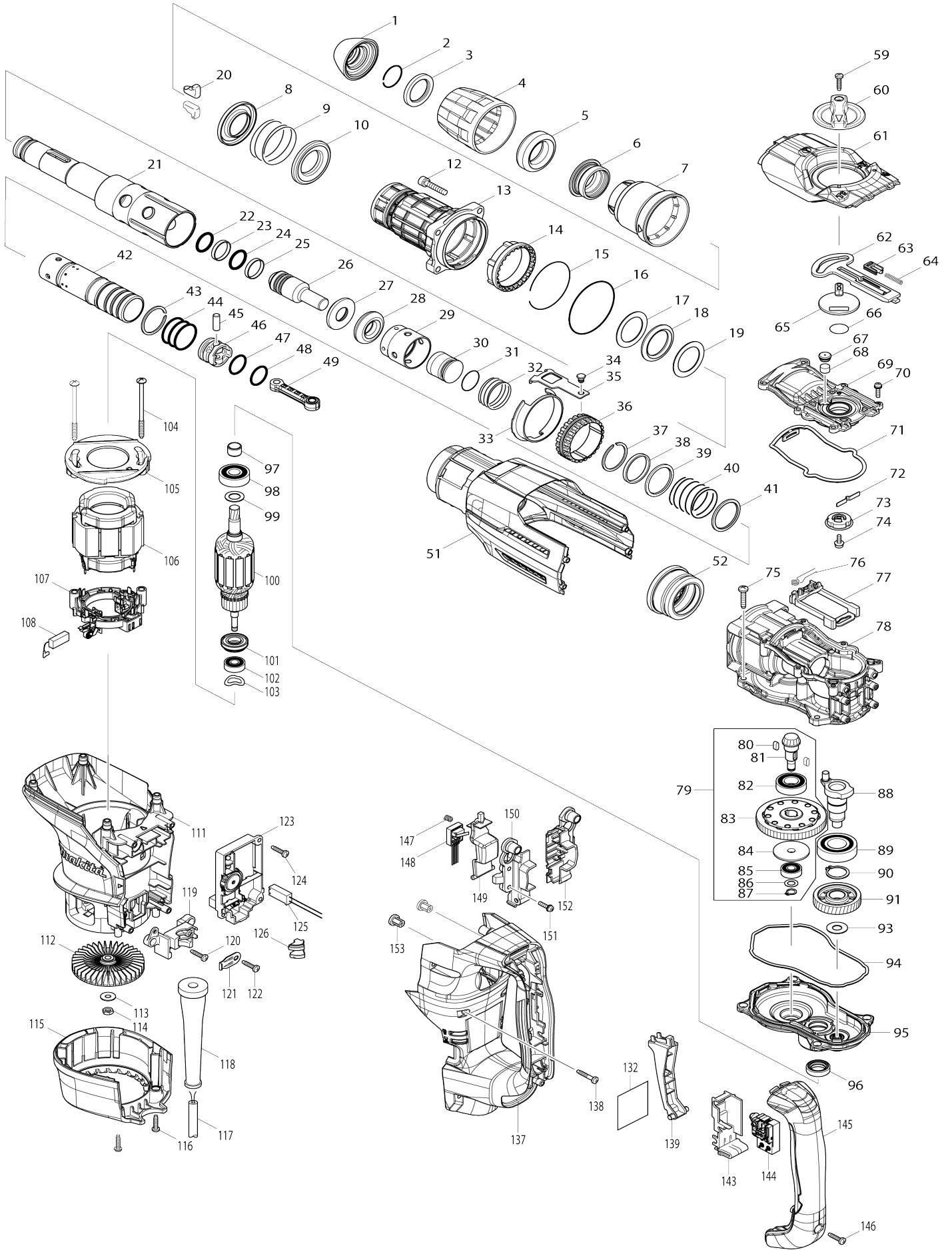


Model No.HR4003C 40MM ROTARY HAMMER



Model No.HR4003C 40MM ROTARY HAMMER

Item No.	Parts No.	Description	Interchangability	Q'ty	New/Old	Note1	Note2
001	286292-7	TOOL HOLDER CAP		1			
002	233948-3	RING SPRING 25		1			
003	257308-5	RING 28		1			
004	454330-5	CHUCK COVER		1			
005	262167-4	RUBBER RING 30		1			
006	326272-2	CHUCK RING		1			
007	454331-3	RELEASE COVER		1			
008	346670-4	SPRING GUIDE		1			
009	234288-2	COMPRESSION SPRING 46		1			
010	346670-4	SPRING GUIDE		1			
012	922351-0	HEX. SOCKET HEAD BOLT M6X30		4			
013	141956-9	BARREL COMPLETE		1			
C10	213246-1	O-RING 38 SA1004		1			
C20	213490-0	OIL SEAL 32		1			
C30	213492-6	O-RING 32		1			
014	454337-1	LOCK SLEEVE		1			
015	234290-5	RING SPRING 59		1			
016	213707-1	O RING 65		1			
017	267469-3	FLAT WASHER 32		1			
018	262168-2	RUBBER RING 32		1			
019	267469-3	FLAT WASHER 32		1			
020	310257-8	TOOL RETAINER		2			
021	326268-3	TOOL HOLDER		1			
022	213317-4	O RING 20		1			
023	213392-0	FLUORIDE RING 25		1			
024	213317-4	O RING 20		1			
025	213392-0	FLUORIDE RING 25		1			
026	326269-1	IMPACT BOLT		1			
027	326274-8	RING 17		1			
028	262166-6	RUBBER RING 18		1			
029	454347-8	SLIDE SLEEVE		1			
030	326270-6	STRIKER		1			
031	213695-2	O-RING 22		1			
032	234289-0	COMPRESSION SPRING 33		1			
033	346673-8	GUIDE RING		1			
034	256548-2	FLAT FILLISTER HEAD PIN 6		1			
035	346671-2	LINK PLATE		1			
036	313255-1	DRIVING SLEEVE		1			
037	257991-8	RETAINING RING (EXT) WR-32.5		1			
038	257340-9	RING 33		1			
039	267470-8	FLAT WASHER 33		1			
040	234287-4	COMPRESSION SPRING 34		1			
041	267470-8	FLAT WASHER 33		1			
042	332063-1	CYLINDER 28.5		1			
043	257991-8	RETAINING RING (EXT) WR-32.5		1			
044	213406-5	O RING 30		3			
045	256197-5	PIN 7		1			

046	419004-5	PISTON		1		
047	213379-2	O RING 21		1	*	
047-1	213695-2	O-RING 22	<	1		
048	213695-2	O-RING 22		1	*	
048-1	213379-2	O RING 21	<	1		
049	454317-7	CONNECTING ROD		1		
051	141958-5	HOUSING COVER B COMPLETE		1		
052	227613-4	SPIRAL BEVEL GEAR 26		1		
059	265995-6	TAPPING SCREW 4X18		1		
060	454326-6	CHANGE LEVER		1		
061	318988-3	CRANK CAP COVER		1		
062	454339-7	CONTROL PLATE		1		
063	454340-2	SLIDE PLATE		1		
064	234284-0	COMPRESSION SPRING 4		1		
065	454345-2	CRANK LEVER		1		
066	213262-3	O RING 18		1		
067	424556-3	FILTER CAP		1		
068	443182-9	FILTER		1		
069	454319-3	CRANK CAP		1		
070	911128-8	P.H.SCREW M4X16 WITH WR		6		
071	424559-7	SEAL RING B		1		
072	232280-2	LEAF SPRING		1		
073	454318-5	LINK LEVER		1		
074	911511-9	PAN HEAD SCREW M4X10		1		
075	266041-8	TAPPING SCREW 5X25		4		
076	233603-7	TORSION SPRING 7		1		
077	454338-9	LINK GUIDE		1		
078	141954-3	CRANK HOUSING B COMPLETE		1		
079	126290-8	TORQUE LIMITER ASSEMBLY		1		
D10		INC. 80-87				
080	254239-9	KEY 4		2		
081	227612-6	SPIRAL BEVEL GEAR 7		1		
082	211232-6	BALL BEARING 6002LLU		1		
083	141959-3	TORQUE LIMITER COMPLETE		1		
084	324727-1	SHOULDER WASHER 8		1		
085	210005-4	BALL BEARING 608DDW		1		
086	253215-0	FLAT WASHER 8		1		
087	961004-6	RETAINING RING (EXT) S-8		1		
088	326271-4	CRANK SHAFT		1		
089	211332-2	BALL BEARING 6004LLU		1		
090	961060-6	RETAINING RING S-20		1		
091	227772-4	HELICAL GEAR 37		1		
093	253180-3	FLAT WASHER 10		1		
094	424558-9	SEAL RING A		1		
095	141955-1	GEAR HOUSING COMPLETE		1		
096	213231-4	OIL SEAL 15		1		
097	331596-3	SLEEVE 12		1		
098	211137-0	BALL BEARING 6201LLU		1		
099	253744-3	FLAT WASHER 12		1		
100	513888-4	ARMATURE ASS'Y 220-240V		1		
D10		INC. 97,98,99,101,102				
101	681650-6	INSULATION WASHER		1		

102	210005-4	BALL BEARING 608DDW		1			
103	267721-9	WAVE WASHER 15		1			
104	266568-8	TAPPING SCREW 5X80		2			
105	454329-0	BAFFLE PLATE		1			
106	625758-6	FIELD 220-240V		1			
107	632A84-2	BRUSH HOLDER UNIT		1	*		
107-1	632E31-7	BRUSH HOLDER UNIT	S	1			
108	194160-9	CARBON BRUSH CB-350		1	*		
108-1	197245-0	CARBON BRUSH CB-351	S	1			
111	454316-9	MOTOR HOUSING		1			
112	240146-2	FAN 76		1			
113	253047-5	FLAT WASHER 6		1			
114	931303-0	HEX. NUT M6		1			
115	454328-2	REAR COVER		1			
116	265995-6	TAPPING SCREW 4X18		2			
117	695123-3	POWER SUPPLY CORD 1.5-2-4.0		1			
118	682560-0	CORD GUARD 10		1			
119	419024-9	CORD CLAMP BASE		1			
120	265995-6	TAPPING SCREW 4X18		1			
121	687169-3	STRAIN RELIEF		1			
122	265995-6	TAPPING SCREW 4X18		1			
123	620202-8	CONTROLLER		1			
124	265995-6	TAPPING SCREW 4X18		1			
125	632B52-1	LEAD UNIT		1			
126	454346-0	LENS		1			
132	814T27-2	HR4003C NAME PLATE		1			
137	454322-4	HANDLE B		1			
138	265999-8	TAPPING SCREW 4X25		6			
139	454333-9	SWITCH LEVER B		1			
143	154626-1	SWITCH HOLDER COMPLETE		1			
144	650678-5	SWITCH C3PA-1121		1			
145	454323-2	HANDLE COVER		1			
146	265995-6	TAPPING SCREW 4X18		1			
147	234281-6	COMPRESSION SPRING 6		1			
148	632A83-4	SWITCH UNIT		1			
149	454336-3	SWITCH LEVER C		1			
150	187692-3	SWITCH CASE SET		1			
D10		INC. 152					
151	911128-8	P.H.SCREW M4X16 WITH WR		4			
152	187692-3	SWITCH CASE SET		1			
D10		INC. 150					
153	286255-3	CAP 13		2	*		
153-1	286044-6	CAP 13	O	2			
154	807Y79-0	CLEAR LABEL		1			
A01	123138-5	SIDE GRIP ASSEMBLY		1			
A02	196792-8	SIDE HANDLE 73 SET		1			
A03	194683-7	GREASE VESSEL SET		1	*		
A03-1	198993-4	GREASE VESSEL SET	<	1			
A04	196277-4	PLASTIC CASE SET		1			
C10	837544-5	INNER TRAY		1			
C20	801Y02-7	INDICATION LABEL		1	*		

C30	162271-8	LATCH		2		
A05	331955-1	DEPTH GAUGE		1		
A06	443122-7	CLOTH		1		
A18	8047A1-7	HR4003C PLASTIC CASE LABEL		2		
B01	197298-9	HAMMER SERVICE KIT		1		
C10	181490-7	HAMMER GREASE 30G		2		
D10		INC. 1,22-25,31,48,108				
D11		INC. 1,22-25,31,47,108				
F02-1	199142-6	DUST EXTRACTOR ATT SET(EU)	<	1		
F03-1	199142-6	DUST EXTRACTOR ATT SET(EU)	<	1		
F04-1	199143-4	DUST EXTRACTOR ATT SET(EU)	<	1		
F05-1	199143-4	DUST EXTRACTOR ATT SET(EU)	<	1		
F07-1	199144-2	DUST EXTRACTOR ATT SET(EU)	<	1		
C10	417765-1	FRONT CUFF 22		1		
C20	417766-9	FRONT CUFF 38		1		
C30	415021-3	HOSE JOINT		1		
F08-1	199144-2	DUST EXTRACTOR ATT SET(EU)	<	1		
C10	417765-1	FRONT CUFF 22		1		
C20	417766-9	FRONT CUFF 38		1		
C30	415021-3	HOSE JOINT		1		

Please state Parts No. when your order.

Print Date 30/01/2024