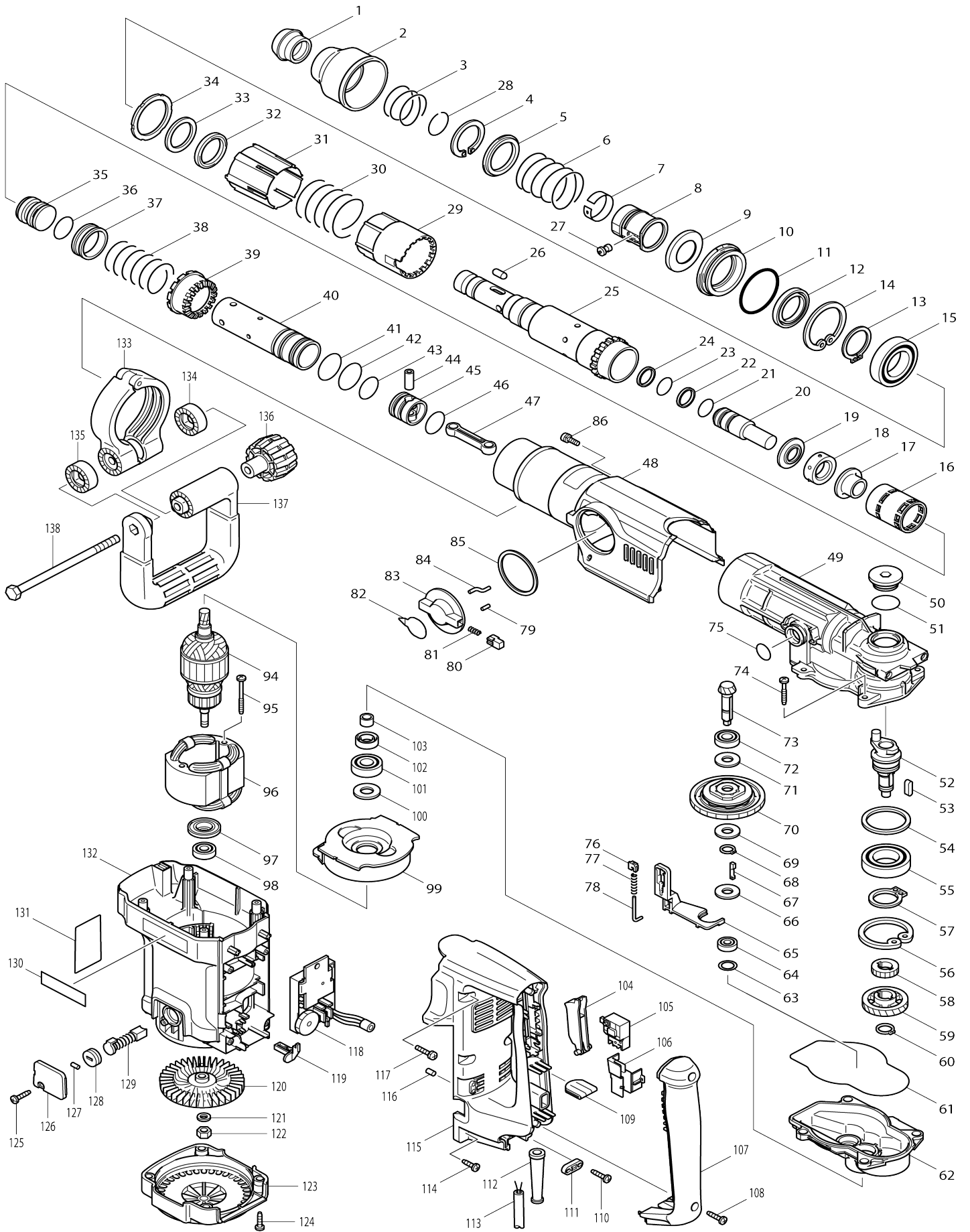


Model No.HR4500C ROTARY HAMMER 45MM



Model No.HR4500C ROTARY HAMMER 45MM

Item No.	Parts No.	Description	Interchangability	Q'ty	New/Old	Note1	Note2
001	286259-5	TOOL HOLDER CAP		1			
002	417459-8	CHUCK COVER		1			
003	233178-6	COMPRESSION SPRING 46		1			
004	961186-4	RETAINING RING WR-40		1			
005	344489-5	WASHER 40		1			
006	233179-4	COMPRESSION SPRING 50		1			
007	232171-7	LEAF SPRING 37		1			
008	322948-9	CHUCK RING		1			
009	344488-7	CUP WASHER 32		1			
010	417435-2	SEAL CASE		1			
011	213669-3	O RING 56		1			
012	213480-3	OIL SEAL 35		1			
013	961153-9	RETAINING RING S-35		1			
014	962301-3	RETAINING RING R-62		1			
015	211471-8	BALL BEARING 6007LLU		1			
016	417434-4	SLIDE SLEEVE		1			
017	331589-0	SLEEVE 19		1			
018	421767-1	RUBBER RING 22		1			
019	331597-1	WASHER 19		1			
020	324088-9	IMPACT BOLT		1			
021	213317-4	O RING 20		1			
022	213392-0	FLUORIDE RING 25		1			
023	213317-4	O RING 20		1			
024	213392-0	FLUORIDE RING 25		1			
025	324064-3	TOOL HOLDER		1			
026	322908-1	ROLLER 8		2			
027	310052-6	SHOULDER PIN 8		1			
028	231984-3	RING SPRING 25		1			
029	417437-8	LOCK SLEEVE A		1			
030	233300-5	COMPRESSION SPRING 55		1			
031	417436-0	LOCK SLEEVE B		1			
032	262093-7	URETHAN RING 35		1			
033	267221-9	FLAT WASHER 35		1			
034	267222-7	FLAT WASHER 49		1			
035	324089-7	STRIKER		1			
036	213440-5	O RING 27		1			
037	331599-7	RING 38		1			
038	233299-4	COMPRESSION SPRING 39		1			
039	227401-9	SPIRAL BEVEL GEAR 36		1			
040	331592-1	CYLINDER 34		1			
041	213486-1	O RING 35		1			
042	213486-1	O RING 35		1			
043	213440-5	O RING 27		1			
044	331598-9	PIPE 10		1			
045	417433-6	PISTON		1			
046	213440-5	O RING 27		1			
047	417432-8	ROD		1			

048	152766-9	CRANK HOUSING COVER COMPLETE		1		
C10	817280-9	CAUTION LABEL		1		
049	152764-3	CRANK HOUSING COMPLETE		1		
050	416124-6	CRANK CAP		1	*	
050-1	416124-6	CRANK CAP	O	1		
051	213406-5	O RING 30		1		
052	324065-1	CRANK SHAFT		1		
053	254218-7	KEY 5		2		
054	267219-6	FLAT WASHER 45		1		
055	211418-2	BALL BEARING 6006LLU		1		
056	962252-0	RETAINING RING R-55		1		
057	961110-7	RETAINING RING S-30		1		
058	227017-0	SPUR GEAR 22		1		
059	226533-9	HELICAL GEAR 37		1		
060	961056-7	RETAINING RING S-16		1		
061	421768-9	SEAL RING		1		
062	152765-1	GEAR HOUSING COMPLETE		1		
C10	212052-1	NEEDLE BEARING 1010		1		
063	253314-8	THIN WASHER 15		1		
064	210024-0	BALL BEARING 608LLU		1		
065	417438-6	CHANGE LINK		1		
066	253810-6	FLAT WASHER 12		1		
067	322951-0	CHANGE KEY		2		
068	961052-5	RETAINING RING (EXT) S-12		1		
069	267113-2	FLAT WASHER 12		1		
070	152763-5	TORQUE LIMITER COMPLETE		1	*	
070-1	152954-8	TORQUE LIMITER COMPLETE	O	1		
071	267113-2	FLAT WASHER 12		1		
072	211138-8	BALL BEARING 6001LLU		1		
073	227405-1	SPIRAL BEVEL GEAR 10		1		
074	266012-5	TAPPING SCREW 5X35		4		
075	213304-3	O RING 20		1		
076	416289-4	SLIDE PLATE		1		
077	233180-9	COMPRESSION SPRING 3		1		
078	322963-3	GUIDE PIN 2		1		
079	256122-6	PIN 4		1		
080	417340-3	LOCK BUTTON		1		
081	233188-3	COMPRESSION SPRING 2.4		1		
082	816329-2	INDICATION LABEL		1		
083	416287-8	CHANGE LEVER		1		
084	322962-5	CRANK PIN 4		1		
085	421698-4	DUSTPROOF WASHER 55		1		
086	911128-8	P.H.SCREW M4X16 WITH WR		1		
094A_	516843-5	ARMATURE ASS'Y 220-240V		1	*	
D10		INC. 97,98				
094A1	516843-5	ARMATURE ASS'Y 220-240V	<	1		
D10		INC. 97,98,103				
095	266046-8	TAPPING SCREW 5X50		2		
096A_	526113-4	FIELD ASS'Y 220-240V		1		
C10	654020-2	RING TERMINAL		2		
C20	654079-9	INSULATED RECEPTACLE DF1.25		2		

C30	654502-4	CONNECTOR P-2		2		
097	681642-5	INSULATION WASHER		1		
098	211088-7	BALL BEARING 6000DDW		1		
099	417439-4	BAFFLE PLATE		1		
100	267025-9	FLAT WASHER 15		1		
101	211238-4	BALL BEARING 6202LLU		1		
102	213231-4	OIL SEAL 15		1		
103	331596-3	SLEEVE 12		1		
104	416284-4	SWITCH LEVER		1		
105	651922-3	SWITCH TG71B		1	*	
105-1	650677-7	SWITCH C3PA-1112	<	1	*	
105-2	651922-3	SWITCH TG71B	<	1	*	
105-3	650677-7	SWITCH C3PA-1112	<	1		
106	416126-2	LEAD GUIDE		1		
107	417443-3	HANDLE COVER		1		
108	265995-6	TAPPING SCREW 4X18		2		
109	421583-1	SPONGE SHEET		1		
110	265995-6	TAPPING SCREW 4X18		2		
111A_	687053-2	STRAIN RELIEF		1		
112	682560-0	CORD GUARD 10		1		
113E_	695123-3	POWER SUPPLY CORD 1.5-2-4.0		1		
114	266021-4	TAPPING SCREW 5X20		4		
115	417444-1	HANDLE		1		
116	416285-2	ACRYLIC PIN 5		2		
117	911233-1	PAN HEAD SCREW M5X20		2		
118A_	631433-4	CONTROLLER		1		
119	417431-0	FIX ROD		1		
120	240016-5	FAN 90		1		
121	253165-9	FLAT WASHER 8		1		
122	931403-6	HEX. NUT M8		1		
123	417441-7	REAR COVER		1		
124	266021-4	TAPPING SCREW 5X20		4		
125	265995-6	TAPPING SCREW 4X18		2		
126	416292-5	BRUSH HOLDER COVER		2		
127	263002-9	RUBBER PIN 4		2		
128	643650-4	BRUSH HOLDER CAP 6.5-13.5		2	*	
128-1	643650-4	BRUSH HOLDER CAP 6.5-13.5	O	2		
129	181048-2	A.C. CARBON BRUSH CB-155		1	*	
129-1	194987-7	CARBON BRUSH SET CB-155	O	1		
130	819064-1	MAKITA MARK		2		
131	852945-6	NAME PLATE HR4500C		1		
132	183332-1	MOTOR HOUSING SET		1		
C10	638062-4	LEAD WIRE UNIT L2		1		
C20	643653-8	BRUSH HOLDER 6.5-13.5		1		
C30	643661-9	BRUSH HOLDER		1		
D10		INC. 130				
133	152768-5	SIDE HANDLE BASE 75 COMPLETE		1		
134	417002-3	SIDE HANDLE CAM		1		
135	417002-3	SIDE HANDLE CAM		1		
136	252640-2	WING NUT M8		1		
137	417003-1	SIDE HANDLE		1		

138	265439-6	HEX. BOLT M8X150		1		
A01	181573-3	GREASE VESSEL 93G		1	*	
A01-1	181573-3	GREASE VESSEL 93G	O	1	*	
A01-2	194683-7	GREASE VESSEL SET	O	1		
A02	824607-6	PLASTIC CARRYING CASE		1		
C10	416401-6	LATCH		2	*	
C11	163467-4	LATCH	X	2		
C20	819145-1	MAKITA LOGO LABEL		1		
A03	321248-4	DEPTH GAUGE		1		
A04	152554-4	GRIP 36 COMPLETE		1		
A05	265701-9	THUMB SCREW M6X14		1		
A06	266163-4	CUP SQUARE NECK BOLT M8X80		1		
A07	344492-6	PLATE		1		
A08	344949-7	GRIP SPRING 75		1		
A09	417442-5	SIDE GRIP BASE 75		1		
A10	931302-2	HEX. NUT M6		1		
B01	134915-0	SIDE HANDLE ASS'Y		1		
D10		INC. 133-138				
B02	134916-8	GRIP 36 ASS'Y		1		
D10		INC. A03-A10				
F06-1	199143-4	DUST EXTRACTOR ATT SET(EU)	<	1		
F07-1	199143-4	DUST EXTRACTOR ATT SET(EU)	<	1		
F09-1	199144-2	DUST EXTRACTOR ATT SET(EU)	<	1		
C10	417765-1	FRONT CUFF 22		1		
C20	417766-9	FRONT CUFF 38		1		
C30	415021-3	HOSE JOINT		1		
F10-1	199144-2	DUST EXTRACTOR ATT SET(EU)	<	1		
C10	417765-1	FRONT CUFF 22		1		
C20	417766-9	FRONT CUFF 38		1		
C30	415021-3	HOSE JOINT		1		

Please state Parts No. when your order.

Print Date 25.10.2023