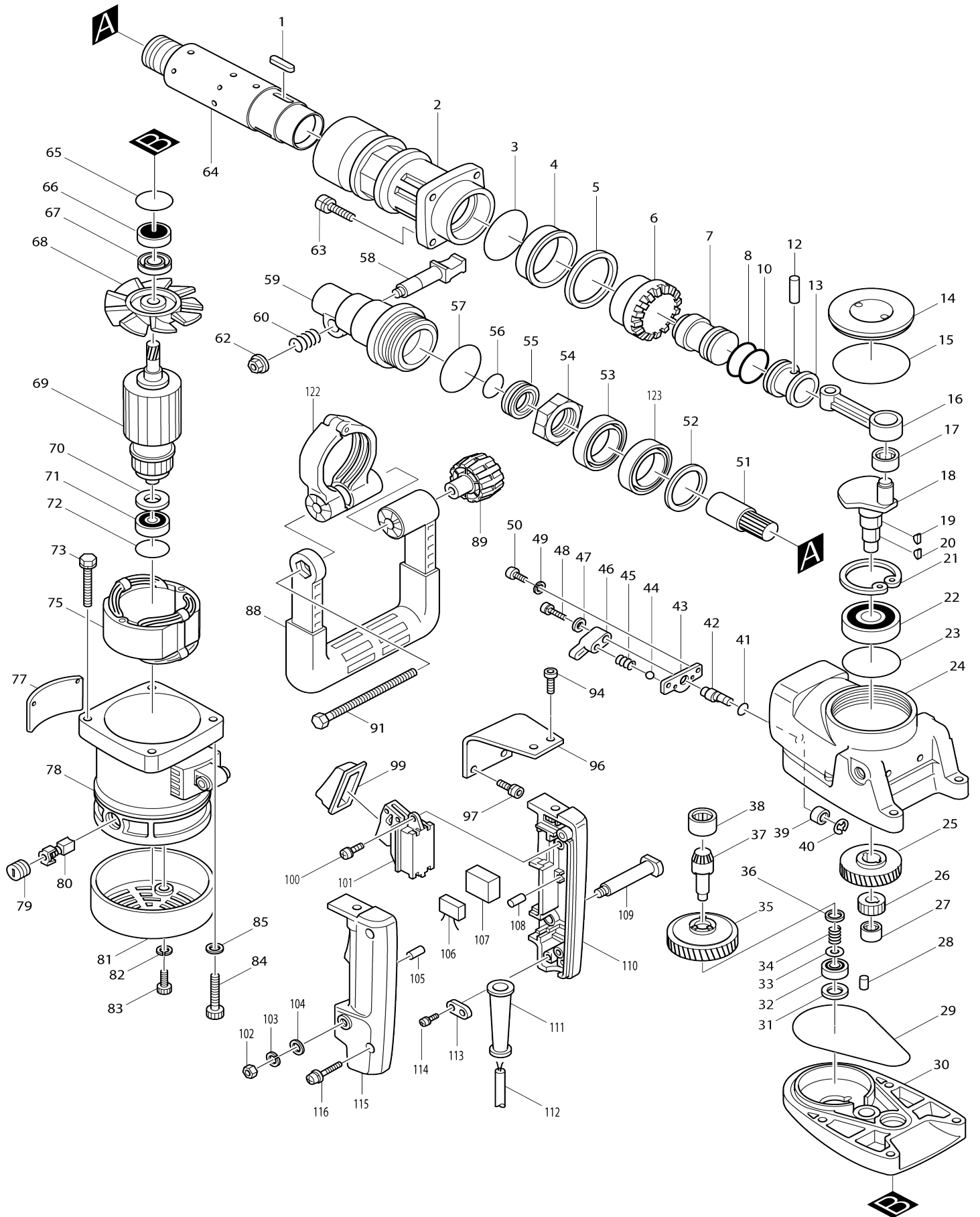


Model No.HR5000 ROTARY HAMMER 50MM



Model No.HR5000 ROTARY HAMMER 50MM

Item No.	Parts No.	Description	Interc hang eabilit y	Q'ty	New/ Old	Note1	Note2
001-1	254231-5	KEY 4		3			
002-1	316068-9	BARREL		1			
003	213707-1	O RING 65		1			
004	214653-1	PLANE BEARING 52		1			
005	267044-5	FLAT WASHER 52		1			
006	221380-3	SPIRAL BEVEL GEAR 41		1			
007	322155-4	STRIKER		1	*		
007-1	323751-1	STRIKER	S	1			
008	412049-2	PISTON RING 40		1	*		
008-1	213481-1	O RING 32	S	1			
010	412049-2	PISTON RING 40		1	*		
010-1	213481-1	O RING 32	S	1			
012	256120-0	PIN 10		1			
013	321441-0	PISTON		1	*		
013-1	323750-3	PISTON	S	1			
014-2	150369-3	CRANK CAP COMPLETE		1	*		
C10	810712-5	CAUTION LABEL		1	*		
014-3	414218-1	CRANK CAP	O	1			
015	213754-2	O RING 71		1			
016	315419-3	CONNECTING ROD		1			
017	212208-6	NEEDLE BEARING 1516		1			
018	153176-3	CRANK SHAFT COMPLETE		1			
C10	216114-7	INNER SLEEVE 1216		1			
019	254001-2	WOODRUFF KEY 4		2			
020	254001-2	WOODRUFF KEY 4		1			
021	962251-2	RETAINING RING R-52		1			
022	211314-4	BALL BEARING 6304		1	*		
022-1	211327-5	BALL BEARING 6304LLU	O	1			
023	213656-2	O RING 53		1			
024	157868-6	CRANK HOUSING COMPLETE		1			
D10		INC. 23					
025	221761-1	HELICAL GEAR 41		1			
026	221957-4	SPUR GEAR 24		1			
027	212113-7	NEEDLE BEARING 1212		1			
028	263005-3	RUBBER PIN 6		1			
029-1	213906-5	O RING 113		1	*		
029-2	421690-0	SEAL RING	X	1			
030	157867-8	GEAR HOUSING COMPLETE		1	*		
D10		INC. 28,65					
030-1	157867-8	GEAR HOUSING COMPLETE	<	1			
D10		INC. 28,65					
031	253787-5	FLAT WASHER 16		1			
032	210004-6	BALL BEARING 638		1			
033	253865-1	FLAT WASHER 8		1			
034	231446-1	COMPRESSION SPRING 12		1			
035	134499-8	TORQUE LIMITER ASS'Y		1			
C10	150009-3	TORQUE LIMITER COMPLETE		1			

D10		INC. 32-34,36,37				
036	253310-6	THIN WASHER 10		1		
037	153174-7	GEAR COMPLETE		1		
038	212359-5	NEEDLE BEARING 2216		1		
039	212011-5	NEEDLE BEARING 609		1		
040	961011-9	STOP RING E-4		1		
041	213055-8	O RING 10		1		
042	322187-1	CHANGE SHAFT		1		
043	342786-3	PLATE		1		
044	216002-8	STEEL BALL 4.8		1		
045	231317-2	COMPRESSION SPRING 3		1		
046	410331-3	CHANGE LEVER		1		
047	941052-1	FLAT WASHER 4		1	*	
048	922126-7	HEX. SOCKET HEAD BOLT M4X16		1	*	
048-1	922128-3	HEX. SOCKET HEAD BOLT M4X16	S	1		
049	942101-7	SPRING WASHER 5		2	*	
050	922212-4	HEX. SOCKET HEAD BOLT M5X12		2	*	
050-1	922211-6	H.S.H.BOLT M5X12 WITH W	S	2		
051	322156-2	IMPACT BOLT		1		
052	267043-7	FLAT WASHER 43		1		
053-1	211469-5	BALL BEARING 6907		1		
054-1	252119-3	DODEC. NUT M34.8-41		1		
055-1	213420-1	X RING 28		1	*	
055-2	213428-5	X RING 28	X	1		
056	213411-2	O RING 27		1		
057	213663-5	O RING 55		1		
058	331132-5	TOOL RETAINER		1		
059-1	322203-9	TOOL HOLDER		1		
060	231281-7	COMPRESSION SPRING 15		1		
062-1	252046-4	HEX. NUT M8-13		1		
063	922451-6	HEX. SOCKET HEAD BOLT M8X30		4		
064-2	152396-6	CYLINDER LINER COMPLETE		1		
D10		INC. 1				
065	213459-4	O RING 32		1		
066-1	211129-9	BALL BEARING 6201DDW		1		
067	213160-1	OIL SEAL 14		1		
068	241634-2	FAN 94		1		
069E_	518478-8	ARMATURE ASS'Y 220V		1		
D10		INC. 68,70,71				
070	681624-7	INSULATION WASHER		1	*	
070-1	681635-2	INSULATION WASHER	O	1		
071-1	211066-7	BALL BEARING 6200LLB		1	*	
071-2	211087-9	BALL BEARING 6200DDW	X	1		
072	213406-5	O RING 30		1		
073-1	265346-3	+ HEX. BOLT M5X55		2		
075C_	524833-4	FIELD ASS'Y 220V		1	*	
C10	654020-2	RING TERMINAL		2	*	
C20	654502-4	CONNECTOR P-2		2	*	
075C1	524833-4	FIELD ASS'Y 220V	O	1		
C10	654020-2	RING TERMINAL		2		
C20	654502-4	CONNECTOR P-2		2		
076	953106-2	RIVET 0-5		4	*	

077	855983-7	NAME PLATE HR5000		1	*		
077-1	8580U0-9	HR5000 NAME PLATE	O	1			
078-2	159054-5	MOTOR HOUSING		1			
C10	643653-8	BRUSH HOLDER 6.5-13.5		2			
C20	913206-0	SET SCREW M5X8		2			
D10		INC. 72					
079	643650-4	BRUSH HOLDER CAP 6.5-13.5		2	*		
079-1	643650-4	BRUSH HOLDER CAP 6.5-13.5	O	2			
080	181048-2	A.C. CARBON BRUSH CB-155		1			
081	284055-5	REAR COVER		1			
082	942101-7	SPRING WASHER 5		2	*		
083	922222-1	HEX. SOCKET HEAD BOLT M5X16		2	*		
083-1	922221-3	HEX. SOCKET HEAD BOLT M5X16	S	2			
084	922376-4	HEX. SOCKET HEAD BOLT M6X55		4			
085	941151-9	FLAT WASHER 6		4			
088-2	152343-7	SIDE HANDLE COMPLETE		1	*		
C10	343519-9	SIDE HANDLE		1	*		
D10		INC. 87,92,93					
088-3	416061-4	SIDE HANDLE	X	1			
089	259020-3	WING NUT M10		1	*		
089-1	252640-2	WING NUT M8	X	1			
091	265902-9	SET BOLT M10X20		1	*		
091-1	265439-6	HEX. BOLT M8X150	X	1			
094-1	922316-2	HEX. SOCKET HEAD BOLT M6X14		2			
096-1	343754-9	CUSHION PLATE		2			
097-2	265914-2	HEX. SOCKET HEAD BOLT M6X25		2			
099	421265-5	DUST COVER		1			
100	911129-6	PAN HEAD SCREW M4X16		1			
101-1	651145-3	SWITCH C3D-H-M5		1			
102	931302-2	HEX. NUT M6		1			
103	942151-2	SPRING WASHER 6		1			
104	941151-9	FLAT WASHER 6		1			
105	263002-9	RUBBER PIN 4		1			
106B_	645209-3	NOISE SUPPRESSOR		1	*		
106B1	645253-0	NOISE SUPPRESSOR	O	1			
107A_	685722-9	SPONGE		1			
108	263002-9	RUBBER PIN 4		1			
109	321210-9	HANDLE SHAFT		1			
110-1	182077-8	HANDLE SET		1			
D10		INC. 105,108,115					
111C_	682540-6	CORD GUARD 9.3-90		1	*		
111C1	682568-4	CORD GUARD 10	<	1			
112J1	665883-1	POWER SUPPLY CORD 1.0-2-5.0		1			
113D_	687031-2	STRAIN RELIEF		1			
114	911133-5	PAN HEAD SCREW M4X18		2			
115-1	182077-8	HANDLE SET		1			
D10		INC. 105,108,110					
116	911243-8	PAN HEAD SCREW M5X25		2			
117	262051-3	RUBBER RING 9		2			
118	262052-1	RUBBER RING 9		2			
119	257636-8	SLEEVE 6		2			

120	414774-1	HANDLE BASE		1	*		
120-1	416060-6	UPPER HANDLE BASE	X	1	*		
120-2	416480-4	UPPER HANDLE BASE	S	1	*		
121	416089-2	LOWER HANDLE BASE		1	*		
121-1	416481-2	LOWER HANDLE BASE	S	1	*		
122	344387-3	HANDLE SPRING 62		1	*		
122-1	344617-2	HANDLE SPRING 62	S	1	*		
122-2	151768-2	SIDE HANDLE 62 COMPLETE	X	1			
123	211469-5	BALL BEARING 6907		1			
400A_	150589-9	PLASTIC CARRYING CASE COMP.		1			
C10	817222-3	CAUTION LABEL		1	*		
C20	817812-2	CAUTION LABEL		1	*		
C21	817536-0	CAUTION LABEL	<	1			
C30	416401-6	LATCH		2	*		
C31	163467-4	LATCH	X	2			
C40	819145-1	MAKITA LOGO LABEL		1			
401	783202-0	HEX. WRENCH 4		1			
404	273472-4	GRIP 32		1			
500	134797-0	SIDE HANDLE ASS'Y		1	*		
D10		INC. 88,89,91,120					
D20		INC. 121,122					
500-1	134887-9	SIDE HANDLE ASS'Y	X	1			
D10		INC. 88,89,91,122					
B01	193284-8	HAMMER SERVICE KIT		1			
C10	181490-7	HAMMER GREASE 30G		3			
D10		INC. 8,10,55,56,80					
F39	1914C5-7	GREASE SET		1			

Please state Parts No. when your order.

Print Date 01/29/2024