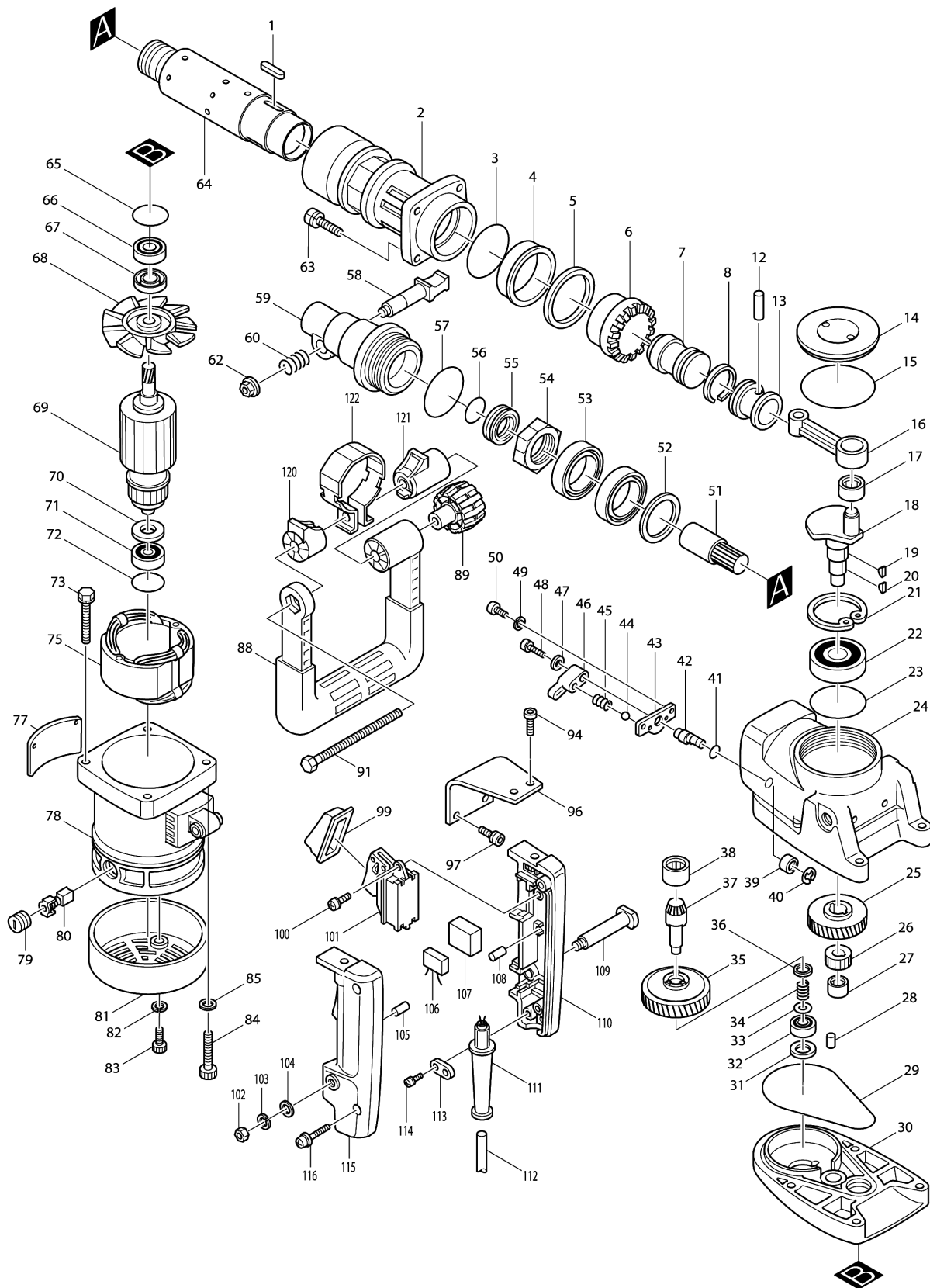


Model No.HR5000K ROTARY HAMMER 50MM



Model No.HR5000K ROTARY HAMMER 50MM

| Item | Parts No. | Description | I/C | Qty | New/Old | Opt. 1 | Opt. 2 | Note |
|-------|-----------|------------------------|-----|-----|---------|--------|--------|------|
| 001-1 | 254231-5 | KEY 4 | | 3 | | | | |
| 002-1 | 316068-9 | BARREL | | 1 | | | | |
| 003 | 213707-1 | O RING 65 | | 1 | | | | |
| 004 | 214653-1 | PLANE BEARING 52 | | 1 | | | | |
| 005 | 267044-5 | FLAT WASHER 52 | | 1 | | | | |
| 006 | 221380-3 | SPIRAL BEVEL GEAR 41 | | 1 | | | | |
| 007 | 322155-4 | STRIKER | | 1 | * | | | |
| 007-1 | 323751-1 | STRIKER | S | 1 | | | | |
| 008 | 412049-2 | PISTON RING 40 | | 1 | * | | | |
| 008-1 | 213481-1 | O RING 32 | S | 1 | | | | |
| 010 | 412049-2 | PISTON RING 40 | | 1 | * | | | |
| 010-1 | 213481-1 | O RING 32 | S | 1 | | | | |
| 012 | 256120-0 | PIN 10 | | 1 | | | | |
| 013 | 321441-0 | PISTON | | 1 | * | | | |
| 013-1 | 323750-3 | PISTON | S | 1 | | | | |
| 014-2 | 150369-3 | CRANK CAP COMPLETE | | 1 | * | | | |
| C10 | 810712-5 | CAUTION LABEL | | 1 | * | | | |
| 014-3 | 414218-1 | CRANK CAP | O | 1 | | | | |
| 015 | 213754-2 | O RING 71 | | 1 | | | | |
| 016 | 315419-3 | CONNECTING ROD | | 1 | | | | |
| 017 | 212208-6 | NEEDLE BEARING 1516 | | 1 | | | | |
| 018 | 153176-3 | CRANK SHAFT COMPLETE | | 1 | | | | |
| C10 | 216114-7 | INNER SLEEVE 1216 | | 1 | | | | |
| 019 | 254001-2 | WOODRUFF KEY 4 | | 2 | | | | |
| 020 | 254001-2 | WOODRUFF KEY 4 | | 1 | | | | |
| 021 | 962251-2 | RETAINING RING R-52 | | 1 | | | | |
| 022 | 211314-4 | BALL BEARING 6304 | | 1 | * | | | |
| 022-1 | 211327-5 | BALL BEARING 6304LLU | O | 1 | | | | |
| 023 | 213656-2 | O RING 53 | | 1 | | | | |
| 024 | 157868-6 | CRANK HOUSING COMPLETE | | 1 | | | | |
| D10 | | INC. 23 | | | | | | |
| 025 | 221761-1 | HELICAL GEAR 41 | | 1 | | | | |
| 026 | 221957-4 | SPUR GEAR 24 | | 1 | | | | |
| 027 | 212113-7 | NEEDLE BEARING 1212 | | 1 | | | | |
| 028 | 263005-3 | RUBBER PIN 6 | | 1 | | | | |
| 029-1 | 213906-5 | O RING 113 | | 1 | * | | | |
| 029-2 | 421690-0 | SEAL RING | X | 1 | | | | |
| 030 | 157867-8 | GEAR HOUSING COMPLETE | | 1 | * | | | |
| D10 | | INC. 28,65 | | | * | | | |
| 030-1 | 157867-8 | GEAR HOUSING COMPLETE | < | 1 | | | | |
| D10 | | INC. 28,65 | | | | | | |
| 031 | 253787-5 | FLAT WASHER 16 | | 1 | | | | |
| 032 | 210004-6 | BALL BEARING 638 | | 1 | | | | |
| 033 | 253865-1 | FLAT WASHER 8 | | 1 | | | | |
| 034 | 231446-1 | COMPRESSION SPRING 12 | | 1 | | | | |

Please order the parts with part number.

Print Date 25/10/2023

Model No.HR5000K ROTARY HAMMER 50MM

| Item | Parts No. | Description | I/C | Qty | New/Old | Opt. 1 | Opt. 2 | Note |
|-------|-----------|--------------------------------|-----|-----|---------|--------|--------|------|
| 035 | 134499-8 | TORQUE LIMITER ASS'Y | | 1 | | | | |
| C10 | 150009-3 | TORQUE LIMITER COMPLETE | | 1 | | | | |
| D10 | | INC. 32-34,36,37 | | | | | | |
| 036 | 253310-6 | THIN WASHER 10 | | 1 | | | | |
| 037 | 153174-7 | GEAR COMPLETE | | 1 | | | | |
| 038 | 212359-5 | NEEDLE BEARING 2216 | | 1 | | | | |
| 039 | 212011-5 | NEEDLE BEARING 609 | | 1 | | | | |
| 040 | 961011-9 | STOP RING E-4 | | 1 | | | | |
| 041 | 213055-8 | O RING 10 | | 1 | | | | |
| 042 | 322187-1 | CHANGE SHAFT | | 1 | | | | |
| 043 | 342786-3 | PLATE | | 1 | | | | |
| 044 | 216002-8 | STEEL BALL 4.8 | | 1 | | | | |
| 045 | 231317-2 | COMPRESSION SPRING 3 | | 1 | | | | |
| 046 | 410331-3 | CHANGE LEVER | | 1 | | | | |
| 047 | 941052-1 | FLAT WASHER 4 | | 1 | | | | |
| 048 | 922126-7 | HEX. SOCKET HEAD BOLT M4X16 | | 1 | | | | |
| 049 | 942101-7 | SPRING WASHER 5 | | 2 | | | | |
| 050 | 922212-4 | HEX. SOCKET HEAD BOLT M5X12 | | 2 | | | | |
| 051 | 322157-0 | IMPACT BOLT | | 1 | | | | |
| 052 | 267043-7 | FLAT WASHER 43 | | 1 | | | | |
| 053-1 | 211469-5 | BALL BEARING 6907 | | 2 | | | | |
| 054-1 | 252119-3 | DODEC. NUT M34.8-41 | | 1 | | | | |
| 055-1 | 213471-4 | X RING 31.5 | | 1 | | | | |
| 056 | 213419-6 | O RING 30 | | 1 | | | | |
| 057 | 213663-5 | O RING 55 | | 1 | | | | |
| 058 | 331132-5 | TOOL RETAINER | | 1 | | | | |
| 059-3 | 322861-1 | TOOL HOLDER | O | 1 | | | | |
| 060 | 231281-7 | COMPRESSION SPRING 15 | | 1 | | | | |
| 062-1 | 252046-4 | HEX. NUT M8-13 | | 1 | | | | |
| 063 | 922451-6 | HEX. SOCKET HEAD BOLT M8X30 | | 4 | | | | |
| 064-2 | 152396-6 | CYLINDER LINER COMPLETE | | 1 | | | | |
| D10 | | INC. 1 | | | | | | |
| 065 | 213459-4 | O RING 32 | | 1 | | | | |
| 066-1 | 211129-9 | BALL BEARING 6201DDW | X | 1 | | | | |
| 067 | 213160-1 | OIL SEAL 14 | | 1 | | | | |
| 068 | 241634-2 | FAN 94 | | 1 | | | | |
| 069E_ | 518478-8 | ARMATURE ASS'Y 220V | | 1 | | | | |
| D10 | | INC. 68,70,71 | | | | | | |
| 070 | 681624-7 | INSULATION WASHER | | 1 | * | | | |
| 070-1 | 681635-2 | INSULATION WASHER | O | 1 | | | | |
| 071-1 | 211066-7 | BALL BEARING 6200LLB | | 1 | * | | | |
| 071-2 | 211087-9 | BALL BEARING 6200DDW | X | 1 | | | | |
| 072 | 213406-5 | O RING 30 | | 1 | | | | |
| 073-1 | 265346-3 | + HEX. BOLT M5X55 | | 2 | | | | |

Please order the parts with part number.

Print Date 25/10/2023

Model No.HR5000K ROTARY HAMMER 50MM

| Item | Parts No. | Description | I/C | Qty | New/Old | Opt. 1 | Opt. 2 | Note |
|-------|-----------|--------------------------------|-----|-----|---------|--------|--------|------|
| 075C_ | 524833-4 | FIELD ASS'Y 220V | | 1 | * | | | |
| C10 | 654020-2 | RING TERMINAL | | 2 | * | | | |
| C20 | 654502-4 | CONNECTOR P-2 | | 2 | * | | | |
| 075C1 | 524833-4 | FIELD ASS'Y 220V | O | 1 | | | | |
| C10 | 654020-2 | RING TERMINAL | | 2 | | | | |
| C20 | 654502-4 | CONNECTOR P-2 | | 2 | | | | |
| 076 | 953106-2 | RIVET 0-5 | | 4 | | | | |
| 077 | 855984-5 | NAME PLATE HR5000K | | 1 | | | | |
| 078-2 | 159054-5 | MOTOR HOUSING | | 1 | | | | |
| C10 | 643653-8 | BRUSH HOLDER 6.5-13.5 | | 2 | | | | |
| C20 | 913206-0 | SET SCREW M5X8 | | 2 | | | | |
| D10 | | INC. 72 | | | | | | |
| 079 | 643650-4 | BRUSH HOLDER CAP 6.5-13.5 | | 2 | * | | | |
| 079-1 | 643650-4 | BRUSH HOLDER CAP 6.5-13.5 | O | 2 | | | | |
| 080 | 181048-2 | A.C. CARBON BRUSH CB-155 | | 1 | * | | | |
| 080-1 | 194987-7 | CARBON BRUSH SET CB-155 | O | 1 | | | | |
| 081 | 284055-5 | REAR COVER | | 1 | | | | |
| 082 | 942101-7 | SPRING WASHER 5 | | 2 | * | | | |
| 083 | 922222-1 | HEX. SOCKET HEAD BOLT M5X16 | | 2 | * | | | |
| 083-1 | 922221-3 | HEX. SOCKET HEAD BOLT M5X16 | S | 2 | | | | |
| 084 | 922376-4 | HEX. SOCKET HEAD BOLT M6X55 | | 4 | | | | |
| 085 | 941151-9 | FLAT WASHER 6 | | 4 | | | | |
| 088-2 | 152343-7 | SIDE HANDLE COMPLETE | | 1 | * | | | |
| C10 | 343519-9 | SIDE HANDLE | | 1 | * | | | |
| D10 | | INC. 87,92,93 | | | * | | | |
| 088-3 | 416061-4 | SIDE HANDLE | X | 1 | | | | |
| 089 | 259020-3 | WING NUT M10 | | 1 | * | | | |
| 089-1 | 252640-2 | WING NUT M8 | X | 1 | | | | |
| 091 | 265902-9 | SET BOLT M10X20 | | 1 | * | | | |
| 091-1 | 265439-6 | HEX. BOLT M8X150 | X | 1 | | | | |
| 094-1 | 922316-2 | HEX. SOCKET HEAD BOLT M6X14 | | 2 | | | | |
| 096-1 | 343754-9 | CUSHION PLATE | | 2 | | | | |
| 097-2 | 265914-2 | HEX. SOCKET HEAD BOLT M6X25 | | 2 | | | | |
| 099 | 421265-5 | DUST COVER | | 1 | | | | |
| 100 | 911129-6 | PAN HEAD SCREW M4X16 | | 1 | | | | |
| 101-1 | 651145-3 | SWITCH C3D-H-MS | | 1 | | | | |
| 102 | 931302-2 | HEX. NUT M6 | | 1 | | | | |
| 103 | 942151-2 | SPRING WASHER 6 | | 1 | | | | |
| 104 | 941151-9 | FLAT WASHER 6 | | 1 | | | | |
| 105 | 263002-9 | RUBBER PIN 4 | | 1 | | | | |
| 106A_ | 645209-3 | NOISE SUPPRESSOR | | 1 | * | | | |
| 106A1 | 645253-0 | NOISE SUPPRESSOR | O | 1 | | | | |
| 107B_ | 685722-9 | SPONGE | | 1 | | | | |

Please order the parts with part number.

Print Date 25/10/2023

Model No.HR5000K ROTARY HAMMER 50MM

| Item | Parts No. | Description | I/C | Qty | New/Old | Opt. 1 | Opt. 2 | Note |
|-------|-----------|-----------------------------|-----|-----|---------|--------|--------|------|
| 108 | 263002-9 | RUBBER PIN 4 | | 1 | | | | |
| 109 | 321210-9 | HANDLE SHAFT | | 1 | | | | |
| 110-1 | 182077-8 | HANDLE SET | | 1 | | | | |
| D10 | | INC. 105,108,115 | | | | | | |
| 111C_ | 682540-6 | CORD GUARD 9.3-90 | | 1 | * | | | |
| 111C1 | 682505-8 | CORD GUARD 10-90 | O | 1 | | | | |
| 112J1 | 665883-1 | POWER SUPPLY CORD 1.0-2-5.0 | | 1 | | | | |
| 113D_ | 687031-2 | STRAIN RELIEF | | 1 | | | | |
| 114 | 911133-5 | PAN HEAD SCREW M4X18 | | 2 | | | | |
| 115-1 | 182077-8 | HANDLE SET | | 1 | | | | |
| D10 | | INC. 105,108,110 | | | | | | |
| 116 | 911243-8 | PAN HEAD SCREW M5X25 | | 2 | | | | |
| 117 | 262051-3 | RUBBER RING 9 | | 2 | | | | |
| 118 | 262052-1 | RUBBER RING 9 | | 2 | | | | |
| 119 | 257636-8 | SLEEVE 6 | | 2 | | | | |
| 120 | 414774-1 | HANDLE BASE | | 1 | * | | | |
| 120-1 | 416060-6 | UPPER HANDLE BASE | X | 1 | * | | | |
| 120-2 | 416480-4 | UPPER HANDLE BASE | S | 1 | * | | | |
| 121 | 416089-2 | LOWER HANDLE BASE | | 1 | * | | | |
| 121-1 | 416481-2 | LOWER HANDLE BASE | S | 1 | * | | | |
| 122 | 344387-3 | HANDLE SPRING 62 | | 1 | * | | | |
| 122-1 | 344617-2 | HANDLE SPRING 62 | S | 1 | * | | | |
| 122-2 | 151768-2 | SIDE HANDLE 62 COMPLETE | X | 1 | | | | |
| 400-2 | 182701-3 | STEEL CARRYING CASE | | 1 | * | | | |
| D10 | | INC. 405 | | | * | | | |
| 400-3 | 150582-3 | PLASTIC CARRYING CASE COMP. | O | 1 | | | | |
| C10 | 817812-2 | CAUTION LABEL | | 1 | | | | |
| C20 | 416401-6 | LATCH | | 2 | * | | | |
| C21 | 163467-4 | LATCH | X | 2 | | | | |
| C30 | 819145-1 | MAKITA LOGO LABEL | | 1 | | | | |
| 401 | 783202-0 | HEX. WRENCH 4 | | 1 | | | | |
| 404 | 273472-4 | GRIP 32 | | 1 | | | | |
| 500 | 134797-0 | SIDE HANDLE ASS'Y | | 1 | * | | | |
| D10 | | INC. 88,89,91,120, | | | * | | | |
| D20 | | INC. 121,122 | | | * | | | |
| 500-1 | 134887-9 | SIDE HANDLE ASS'Y | X | 1 | | | | |
| D10 | | INC. 88,89,91,122 | | | | | | |

Please order the parts with part number.

Print Date 25/10/2023