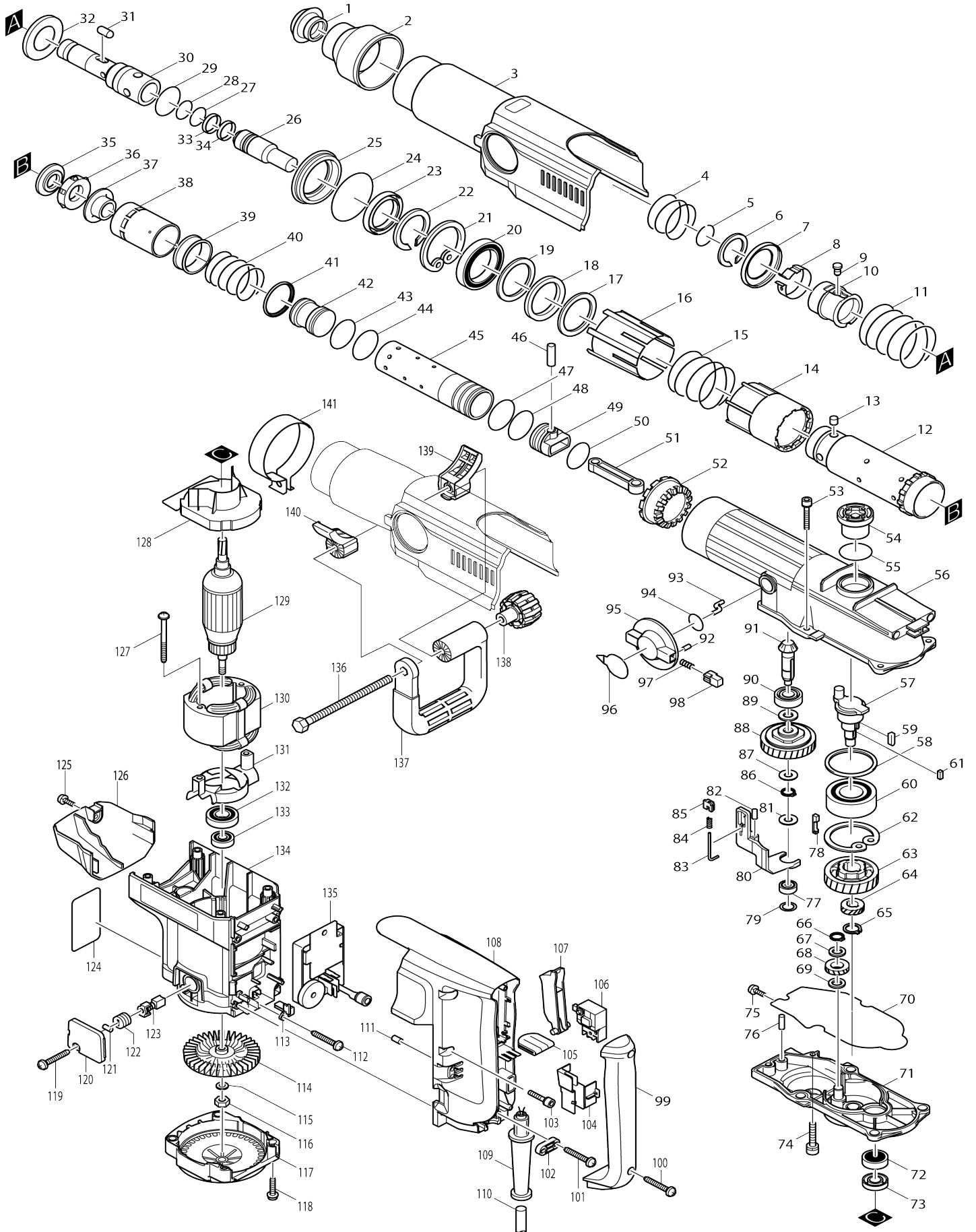


# Model No.HR5001C ROTARY HAMMER 50MM



Model No.HR5001C ROTARY HAMMER 50MM

Item No.	Parts No.	Description	Interchangability	Q'ty	New/Old	Note1	Note2
001	286250-3	TOOL HOLDER CAP		1			
002	416568-0	CHUCK COVER		1			
003	150836-8	CRANK HOUSING COVER COMPLETE		1			
C10	817280-9	CAUTION LABEL		1			
004	233217-2	COMPRESSION SPRING 51		1			
005	231984-3	RING SPRING 25		1			
006	961232-3	RETAINING RING WR-45		1			
007	267735-8	CUP WASHER 45		1			
008	232180-6	LEAF SPRING 41		1			
009	323767-6	PIN 8		1			
010	323773-1	CHUCK RING		1			
011	233218-0	COMPRESSION SPRING 55		1			
012	323772-3	TOOL HOLDER B		1			
013	256265-4	PIN 10		4			
014	416572-9	LOCK SLEEVE A		1			
015	233216-4	COMPRESSION SPRING 58		1			
016	416573-7	LOCK SLEEVE B		1			
017	267180-7	FLAT WASHER 50		1			
018	262543-2	URETHANE SLEEVE 50		1			
019	267180-7	FLAT WASHER 50		1			
020	211751-2	BALL BEARING 6910		1			
021	962351-8	RETAINING RING R-72		1			
022	961234-9	RETAINING RING WR-50		1			
023	213618-0	OIL SEAL 48		1			
024	213715-2	O RING 67		1			
025	416565-6	SEAL CASE		1			
026	323768-4	IMPACT BOLT		1			
027	213394-6	O RING 23		1			
028	213394-6	O RING 23		1			
029	213522-3	O RING 36		1			
030	323771-5	TOOL HOLDER A		1			
031	322908-1	ROLLER 8		2			
032	267734-0	CUP WASHER 37		1			
033	213431-6	FLUORIDE RING 28		1			
034	213431-6	FLUORIDE RING 28		1			
035	323817-7	RING 22		1			
036	421623-5	RUBBER RING 24		1			
037	331530-3	COLLAR SLEEVE 22		1			
038	416566-4	SLIDE SLEEVE		1			
039	331531-1	RING 45		1			
040	233215-6	COMPRESSION SPRING 45		1			
041	267736-6	WASHER 45		1			
042	323769-2	STRIKER		1			
043	213482-9	O RING 34		1			
044	231985-1	RING SPRING 43		1			
045	331534-5	CYLINDER 40		1			
046	331532-9	PIPE 10		1	*		

046-1	256295-5	PIN 10	O	1			
047	213510-0	O RING 36		3			
048	213482-9	O RING 34		1			
049	416563-0	PISTON		1			
050	213459-4	O RING 32		1	*		
050-1	213460-9	O RING 35	O	1			
051	416564-8	ROD		1			
052	226761-6	SPIRAL BEVEL GEAR 41		1			
053	922361-7	HEX. SOCKET HEAD BOLT M6X40		4			
054	416561-4	CRANK CAP		1			
055	213510-0	O RING 36		1			
056	150831-8	CRANK HOUSING COMPLETE		1			
057	323774-9	CRANK SHAFT		1			
058	267181-5	FLAT WASHER 56		1			
059	254229-2	KEY 5		2			
060	211470-0	BALL BEARING 62/32 2RS		1			
061	254202-2	KEY 4		2			
062	962303-9	RETAINING RING R-65		1			
063	226493-5	HELICAL GEAR 50		1			
064	226490-1	HELICAL GEAR 20A		1			
065	961054-1	RETAINING RING S-14		1			
066	961052-5	RETAINING RING (EXT) S-12		1			
067	253744-3	FLAT WASHER 12		1			
068	150835-0	HELICAL GEAR		1			
C10	212123-4	NEEDLE BEARING 1210		1			
069	253744-3	FLAT WASHER 12		1			
070	421622-7	SEAL RING		1			
071	150832-6	GEAR HOUSING COMPLETE		1	*		
C10	256264-6	PIN 12		1	*		
071-1	150832-6	GEAR HOUSING COMPLETE	<	1			
C10	256264-6	PIN 12		1			
072	211129-9	BALL BEARING 6201DDW		1	*		
072-1	211146-9	BALL BEARING 6201DDW	O	1	*		
072-2	211129-9	BALL BEARING 6201DDW	O	1			
073	213160-1	OIL SEAL 14		1			
074	922351-0	HEX. SOCKET HEAD BOLT M6X30		2			
075	911223-4	PAN HEAD SCREW M5X16		1			
076	256286-6	PIN 7		1			
077	210024-0	BALL BEARING 608LLU		1			
078	322951-0	CHANGE KEY		2			
079	253314-8	THIN WASHER 15		1			
080	416571-1	CHANGE LINK		1			
081	253810-6	FLAT WASHER 12		1			
082	256263-8	PIN 5		1			
083	322963-3	GUIDE PIN 2		1			
084	233180-9	COMPRESSION SPRING 3		1			
085	416289-4	SLIDE PLATE		1			
086	961052-5	RETAINING RING (EXT) S-12		1			
087	267113-2	FLAT WASHER 12		1			
088	150986-9	TORQUE LIMITER COMPLETE		1			
089	267113-2	FLAT WASHER 12		1			

090	211109-5	BALL BEARING 6201		1		
091	226760-8	SPIRAL BEVEL GEAR 12		1		
092	256122-6	PIN 4		1		
093-1	323973-3	CRANK PIN 4		1		
094	213304-3	O RING 20		1		
095	416287-8	CHANGE LEVER		1		
096	816329-2	INDICATION LABEL		1		
097	233188-3	COMPRESSION SPRING 2.4		1		
098	416286-0	LOCK BUTTON		1	*	
098-1	417340-3	LOCK BUTTON	X	1		
099	416577-9	HANDLE COVER		1	*	
099-1	417167-1	HANDLE COVER	X	1		
100	265995-6	TAPPING SCREW 4X18		2		
101	265995-6	TAPPING SCREW 4X18		2		
102	687063-9	CORD CLAMP		1	*	
102-1	687052-4	STRAIN RELIEF	X	1		
103	922351-0	HEX. SOCKET HEAD BOLT M6X30		6	*	
103-1	922353-6	HEX.SOCKET HEAD BOLT M6X30	O	6		
104	416126-2	LEAD GUIDE		1		
105	421583-1	SPONGE SHEET		1		
106	651922-3	SWITCH TG71B		1	*	
106-1	650677-7	SWITCH C3PA-1112	<	1	*	
106-2	651922-3	SWITCH TG71B	<	1	*	
106-3	650677-7	SWITCH C3PA-1112	<	1		
107-1	416284-4	SWITCH LEVER		1		
108	416576-1	HANDLE		1	*	
108-1	417166-3	HANDLE	X	1		
109	682540-6	CORD GUARD 9.3-90		1	*	
109-1	682560-0	CORD GUARD 10	X	1		
110	665883-1	POWER SUPPLY CORD 1.0-2-5.0		1		
111	416285-2	ACRYLIC PIN 5		2		
112	265995-6	TAPPING SCREW 4X18		1		
113	416562-2	FIX ROD		1		
114	240016-5	FAN 90		1		
115	253165-9	FLAT WASHER 8		1		
116	931402-8	HEX. NUT M8		1		
117	416570-3	REAR COVER		1		
118	266021-4	TAPPING SCREW 5X20		4		
119	265995-6	TAPPING SCREW 4X18		2		
120	416292-5	BRUSH HOLDER COVER		2		
121	263002-9	RUBBER PIN 4		2		
122	643650-4	BRUSH HOLDER CAP 6.5-13.5		2	*	
122-1	643650-4	BRUSH HOLDER CAP 6.5-13.5	O	2		
123	181048-2	A.C. CARBON BRUSH CB-155		1	*	
123-1	194987-7	CARBON BRUSH SET CB-155	O	1		
124	859584-3	NAME PLATE HR5001C		1		
125	911223-4	PAN HEAD SCREW M5X16		1		
126	416575-3	GEAR HOUSING COVER		1		
127	266095-5	TAPPING SCREW 5X55		2		
128	416569-8	BAFFLE PLATE		1		
129	516778-0	ARMATURE ASS'Y 220-240V		1		
D10		INC. 132,133				

130	626078-1	FIELD 220-240V		1		
131	416567-2	DUST GUIDE		1		
132	681642-5	INSULATION WASHER		1		
133	211088-7	BALL BEARING 6000DDW		1		
134	150833-4	MOTOR HOUSING COMPLETE		1		
C10	632687-6	LEAD UNIT		1		
C20	643653-8	BRUSH HOLDER 6.5-13.5		1		
C30	643661-9	BRUSH HOLDER		1		
C40	819084-5	MAKITA LABEL		2		
135	631273-0	CONTROLLER		1	*	
135-1	631273-0	CONTROLLER	O	1		
136	265439-6	HEX. BOLT M8X150		1		
137	416009-6	SIDE HANDLE		1	*	
137-1	417003-1	SIDE HANDLE	S	1		
138	252640-2	WING NUT M8		1		
139	416574-5	SIDE HANDLE BASE 87		1	*	
140	416574-5	SIDE HANDLE BASE 87		1	*	
141	344634-2	HANDLE SPRING		1	*	
141-1	151549-4	SIDE HANDLE 87 COMPLETE	O	1		
143	417002-3	SIDE HANDLE CAM	S	2		
A01	152554-4	GRIP 36 COMPLETE		1		
A02	265701-9	THUMB SCREW M6X14		1		
A03	266163-4	CUP SQUARE NECK BOLT M8X80		1		
A04	344492-6	PLATE		1		
A05	344635-0	GRIP SPRING 87		1		
A06	416580-0	SIDE GRIP BASE 87		1		
A07	931302-2	HEX. NUT M6		1		
A08	824519-3	PLASTIC CARRYING CASE		1		
C10	416401-6	LATCH		2	*	
C11	163467-4	LATCH	X	2		
C20	819145-1	MAKITA LOGO LABEL		1		
A09	181573-3	GREASE VESSEL 93G		1	*	
A09-1	181573-3	GREASE VESSEL 93G	O	1	*	
A09-2	194683-7	GREASE VESSEL SET	O	1		
B02	134882-9	SIDE HANDLE 87 ASS'Y		1	*	
D10		INC. 136-138,141				
B02-1	134945-1	SIDE HANDLE 87 ASS'Y	O	1		
D10		INC. 136-138,141,143				
F10-1	199143-4	DUST EXTRACTOR ATT SET(EU)	<	1		
F11-1	199143-4	DUST EXTRACTOR ATT SET(EU)	<	1		
F13-1	199144-2	DUST EXTRACTOR ATT SET(EU)	<	1		
C10	417765-1	FRONT CUFF 22		1		
C20	417766-9	FRONT CUFF 38		1		
C30	415021-3	HOSE JOINT		1		
F14-1	199144-2	DUST EXTRACTOR ATT SET(EU)	<	1		
C10	417765-1	FRONT CUFF 22		1		
C20	417766-9	FRONT CUFF 38		1		
C30	415021-3	HOSE JOINT		1		

Please state Parts No. when your order.

Print Date 01/29/2024