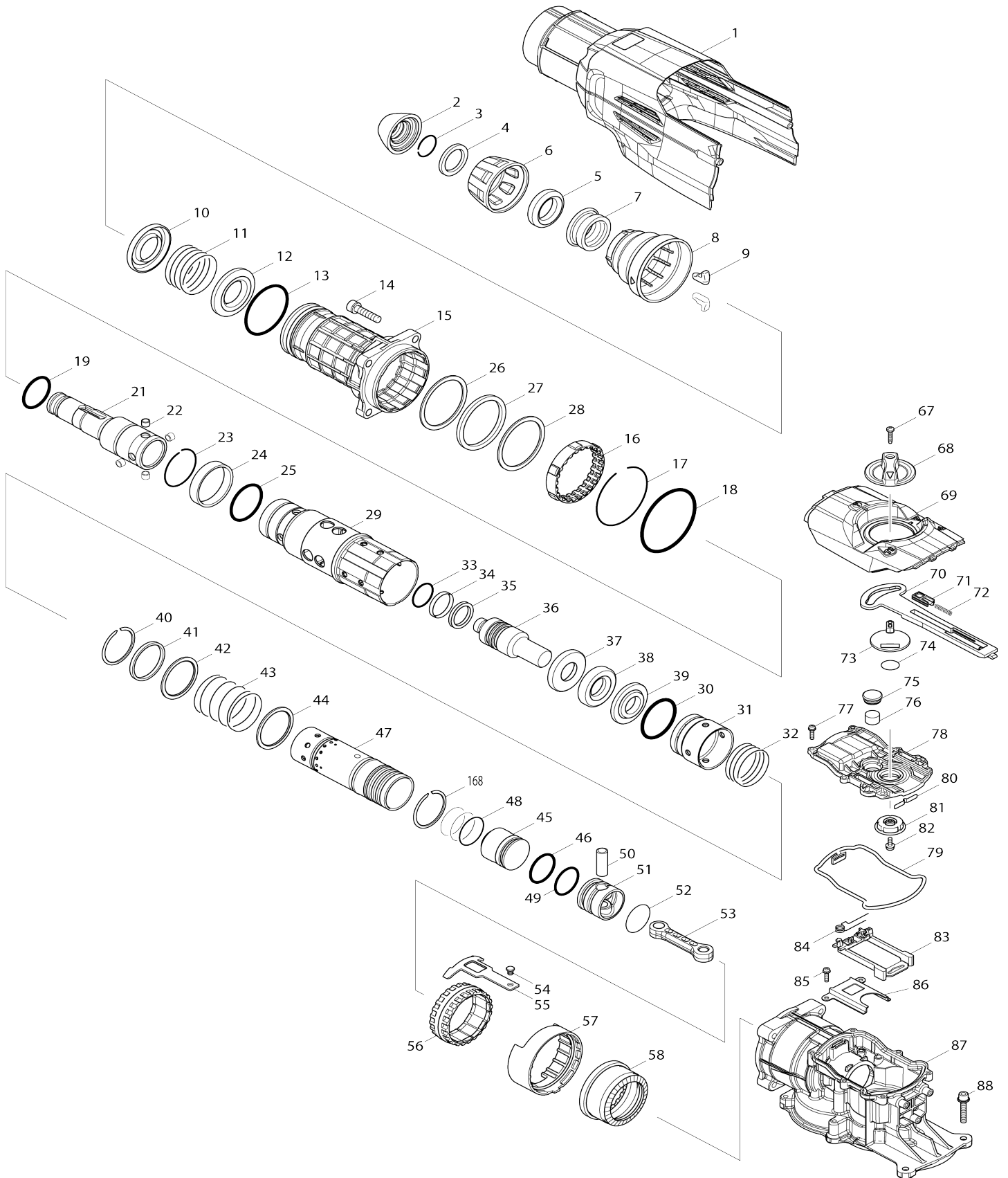
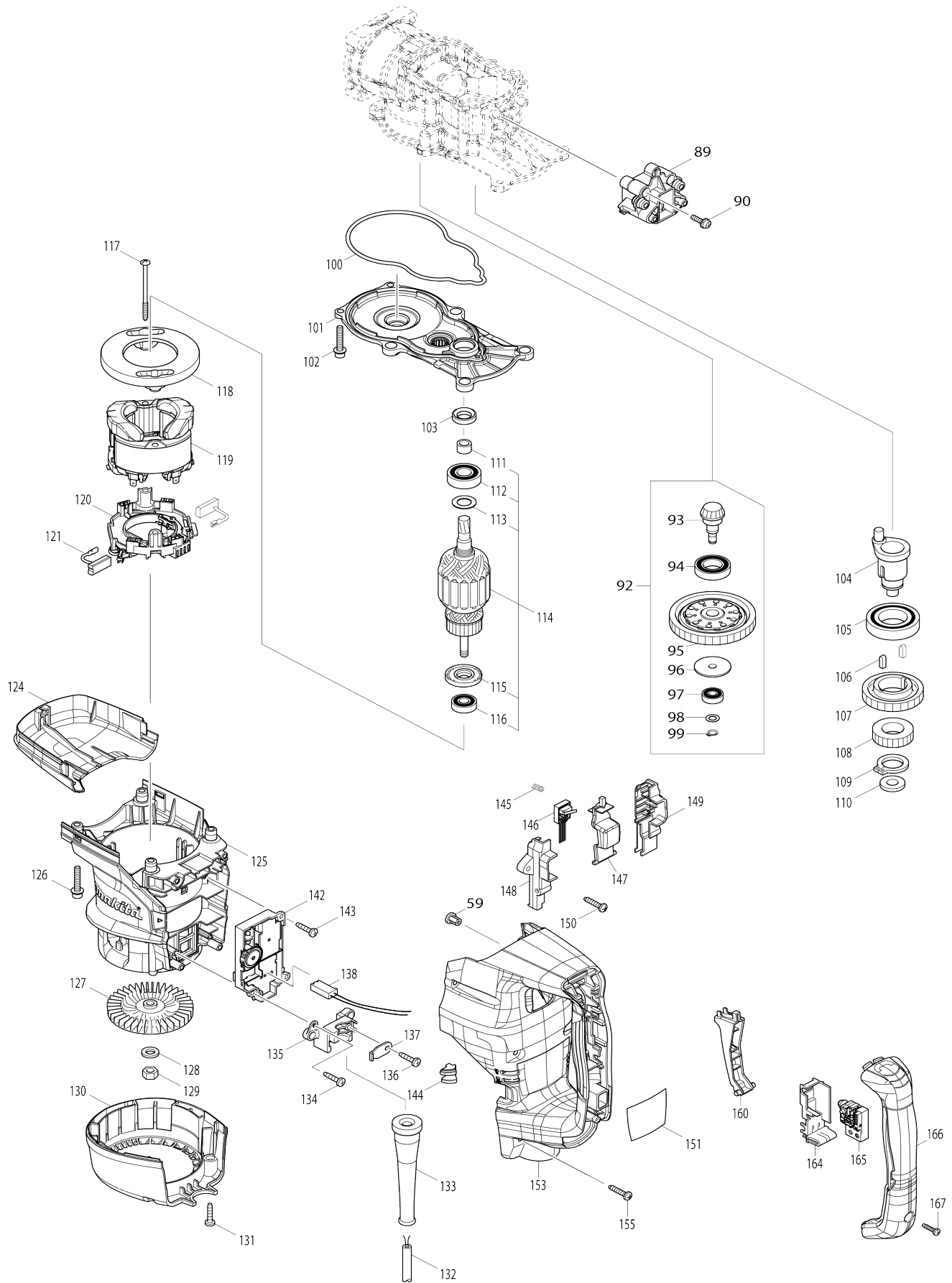


# Model No.HR5202C ROTARY HAMMER 52MM



# Model No.HR5202C ROTARY HAMMER 52MM



Model No.HR5202C ROTARY HAMMER 52MM

Item No.	Parts No.	Description	Interchangability	Q'ty	New/Old	Note1	Note2
001	142412-2	HOUSING COVER B COMPLETE		1			
C10	810100-6	CAUTION LABEL		1			
002	286292-7	TOOL HOLDER CAP		1			
003	233948-3	RING SPRING 25		1			
004	257367-9	RING 28		1			
005	262172-1	RUBBER RING 29		1			
006	454767-6	CHUCK COVER		1			
007	324752-2	CHUCK RING		1			
008	454768-4	RELEASE COVER		1			
009	310178-4	TOOL RETAINER		2			
010	346751-4	SPRING GUIDE		1			
011	234317-1	COMPRESSION SPRING 49		1			
012	346751-4	SPRING GUIDE		1			
014	922456-6	HEX. SOCKET HEAD BOLT M8X35		4			
015	142408-3	BARREL COMPLETE		1			
C10	213663-5	O RING 55		1			
C20	213778-8	OIL SEAL 42		1			
C30	214603-6	PLANE BEARING 49		1			
C40	259056-2	RING SPRING 54		1			
016	454769-2	LOCK SLEEVE		1			
017	259057-0	RING SPRING 74		1			
018	213766-5	O-RING 78		1			
019	213789-3	O-RING 38		1			
021	326361-3	TOOL HOLDER A		1			
022	268308-0	PIN 9		4			
023	231989-3	RING SPRING 46		1			
024	257353-0	RING 49		1			
025	213779-6	O-RING 45		1			
026	267477-4	FLAT WASHER 60		1			
027	262171-3	RUBBER RING 60		1			
028	267477-4	FLAT WASHER 60		1			
029	326362-1	TOOL HOLDER B		1			
030	213783-5	O-RING 48		1			
031	454761-8	SLIDE SLEEVE		1			
032	234318-9	COMPRESSION SPRING 45		1			
033	213811-6	O-RING 26.5		1	*		
033-1	213811-6	O-RING 26.5	S	3			
034	213780-1	FLUORIDE RING 32.5		1	*		
034-1	213780-1	FLUORIDE RING 32.5	S	3			
035	213776-2	X-RING 26		1	*		
036	326374-4	IMPACT BOLT		1	*		
036-1	327245-8	IMPACT BOLT	S	1	*		
036-2	327245-8	IMPACT BOLT	O	1			
037	257354-8	RING 23		1			
038	262173-9	RUBBER RING 24		1			
039	267856-6	SHOULDER WASHER 23		1			
040	257994-2	RETAINING RING(EXT)WR-44		1			

041	257355-6	RING 44		1		
042	267478-2	FLAT WASHER 44		1		
043	234319-7	COMPRESSION SPRING 46		1		
044	267478-2	FLAT WASHER 44		1		
045	326377-8	STRIKER		1		
046	213781-9	O-RING 33		1		
047	332093-2	CYLINDER 40		1		
048	213460-9	O RING 35		3		
049	213782-7	O-RING 30		1		
050	257820-5	SLEEVE 9		1		
051	319097-1	PISTON		1	*	
051-1	312A68-3	PISTON	<	1		
052	213460-9	O RING 35		1		
053	454765-0	CONNECTING ROD		1		
054	256548-2	FLAT FILLISTER HEAD PIN 6		1		
055	346749-1	LINK PLATE		1		
056	313272-1	DRIVING SLEEVE		1		
057	454779-9	GUIDE RING		1		
058	227625-7	SPIRAL BEVEL GEAR 33		1		
059	286255-3	CAP 13		2	*	
059-1	286044-6	CAP 13	O	2		
067	265995-6	TAPPING SCREW 4X18		1		
068	454326-6	CHANGE LEVER		1		
069	319082-4	CRANK CAP COVER		1		
070	454770-7	CONTROL PLATE		1		
071	454771-5	SLIDE PLATE		1		
072	234284-0	COMPRESSION SPRING 4		1		
073	454345-2	CRANK LEVER		1		
074	213262-3	O RING 18		1		
075	424607-2	FILTER CAP		1		
076	443129-3	FILTER		1		
077	911128-8	P.H.SCREW M4X16 WITH WR		6		
078	454764-2	CRANK CAP		1		
079	424608-0	SEAL RING B		1	*	
079-1	422787-8	SEAL RING B	<	1		
080	232280-2	LEAF SPRING		1		
081	454766-8	LINK LEVER		1		
082	911511-9	PAN HEAD SCREW M4X10		1		
083	454778-1	LINK GUIDE		1		
084	233611-8	TORSION SPRING 7		1		
085	911128-8	P.H.SCREW M4X16 WITH WR		2		
086	346748-3	GUIDE RAIL		1		
087	142407-5	CRANK HOUSING B COMPLETE		1		
088	922359-4	H.S.H.BOLT M6X35 WITH WG		2		
089	454784-6	BASE B		1		
090	911233-1	PAN HEAD SCREW M5X20		3		
092	126476-4	TORQUE LIMITER ASSEMBLY		1		
D10		INC. 93-99				
093	227628-1	SPIRAL BEVEL GEAR 10		1		
094	211323-3	BALL BEARING 6904LLU		1		
095	142410-6	TORQUE LIMITER COMPLETE		1		
096	324727-1	SHOULDER WASHER 8		1		

097	210005-4	BALL BEARING 608DDW		1			
098	253215-0	FLAT WASHER 8		1			
099	961004-6	RETAINING RING (EXT) S-8		1			
100	424609-8	SEAL RING A		1	*		
100-1	422786-0	SEAL RING A	<	1			
101	142409-1	GEAR HOUSING COMPLETE		1			
102	922359-4	H.S.H.BOLT M6X35 WITH WG		2			
103	213231-4	OIL SEAL 15		1			
104	326376-0	CRANK SHAFT		1	*		
104-1	327142-8	CRANK SHAFT	<	1			
105	211418-2	BALL BEARING 6006LLU		1			
106	254229-2	KEY 5		2			
107	227788-9	HELICAL GEAR 46		1			
108	227336-4	SPUR GEAR 26		1			
109	961102-6	RETAINING RING S-22		1			
110	253843-1	FLAT WASHER 12		1			
111	331596-3	SLEEVE 12		1			
112	211238-4	BALL BEARING 6202LLU		1			
113	267215-4	FLAT WASHER 15		1			
114	517898-3	ARMATURE ASS'Y 220-240V		1			
D10		INC. 111-113,115,116					
115	681642-5	INSULATION WASHER		1			
116	210059-1	BALL BEARING 6000DDW		1			
117	266568-8	TAPPING SCREW 5X80		2			
118	454772-3	BAFFLE PLATE		1			
119	636303-2	FIELD 220-240V		1			
120	632B59-7	BRUSH HOLDER UNIT		1			
121	195844-2	CARBON BRUSH CB-175		1			
124	454763-4	GEAR HOUSING COVER		1			
125	454757-9	MOTOR HOUSING		1			
126	922359-4	H.S.H.BOLT M6X35 WITH WG		2			
127	240016-5	FAN 90		1			
128	253165-9	FLAT WASHER 8		1			
129	252178-7	HEX. NUT M8-12		1			
130	454762-6	REAR COVER		1			
131	266041-8	TAPPING SCREW 5X25		2			
132	695123-3	POWER SUPPLY CORD 1.5-2-4.0		1			
133	682560-0	CORD GUARD 10		1			
134	265995-6	TAPPING SCREW 4X18		1			
135	419024-9	CORD CLAMP BASE		1			
136	265995-6	TAPPING SCREW 4X18		1			
137	687169-3	STRAIN RELIEF		1			
138	632C15-3	LEAD UNIT		1			
142	620251-5	CONTROLLER		1			
143	265995-6	TAPPING SCREW 4X18		1			
144	454346-0	LENS		1			
145	234281-6	COMPRESSION SPRING 6		1			
146	632A83-4	SWITCH UNIT		1			
147	454336-3	SWITCH LEVER C		1			
148	187890-9	SWITCH CASE SET		1			
D10		INC. 149					

149	187890-9	SWITCH CASE SET		1		
D10		INC. 148				
150	266041-8	TAPPING SCREW 5X25		2		
151	815W32-0	HR5202C NAME PLATE		1		
153	454782-0	HANDLE B		1		
155	266041-8	TAPPING SCREW 5X25		6		
160	454333-9	SWITCH LEVER B		1		
164	154626-1	SWITCH HOLDER COMPLETE		1		
165	650678-5	SWITCH C3PA-1121		1		
166	454760-0	HANDLE COVER		1		
167	265995-6	TAPPING SCREW 4X18		1		
168	257994-2	RETAINING RING(EXT)WR-44		1		
A01	135283-4	SIDE HANDLE 90 ASSEMBLY		1		
C10	252640-2	WING NUT M8		1		
C20	265439-6	HEX. BOLT M8X150		1		
C30	318430-4	SIDE HANDLE BASE 90A		1		
C40	318431-2	SIDE HANDLE BASE 90B		1		
C50	417002-3	SIDE HANDLE CAM		2		
C60	417003-1	SIDE HANDLE		1		
C70	951166-8	SPRING PIN 5-24		1		
A02	135629-4	SIDE GRIP ASSEMBLY		1		
C10	158131-0	GRIP 36 COMPLETE		1		
C20	234226-4	COMPRESSION SPRING 6		1		
C30	266163-4	CUP SQUARE NECK BOLT M8X80		1		
C40	313223-4	RACK GUIDE		1		
C50	344492-6	PLATE		1		
C60	346750-6	GRIP SPRING 90		1		
C70	453114-8	LOCK BUTTON		1		
C80	454781-2	SIDE GRIP BASE 90		1		
A03	194683-7	GREASE VESSEL SET		1	*	
A03-1	198993-4	GREASE VESSEL SET	<	1		
A04	196552-8	PLASTIC CASE SET		1		
C10	162271-8	LATCH		2		
C20	837860-5	INNER TRAY		1		
C30	801Y02-7	INDICATION LABEL		1	*	
A05	804K57-7	HR5202C PLASTIC CASE LABEL		2		
A06	331955-1	DEPTH GAUGE		1		
A07	443122-7	CLOTH		1		
B01	191K75-7	HAMMER SERVICE KIT		1		
C10	181490-7	HAMMER GREASE 30G		4		
D10		INC. 2,33,34,46,49,121				
F01-1	199143-4	DUST EXTRACTOR ATT SET(EU)	<	1		
F02-1	199143-4	DUST EXTRACTOR ATT SET(EU)	<	1		
F03-1	199144-2	DUST EXTRACTOR ATT SET(EU)	<	1		
F04-1	199144-2	DUST EXTRACTOR ATT SET(EU)	<	1		
F05	196858-4	DUST EXTRACTOR ATTACHMENT SET		1		
C10	162361-7	DUST COVER COMPLETE		1		
C20	454809-6	HOSE HOLDER C		1		
C30	453674-0	JOINT 25		1		
C40	453118-0	BELLOWS		2		
C50	455810-4	JOINT		2		

C60	424472-9	DUST COVER CAP		2		
C70	123066-4	DEPTH GAUGE B ASSEMBLY		1		

Please state Parts No. when your order.

Print Date 25.10.2023