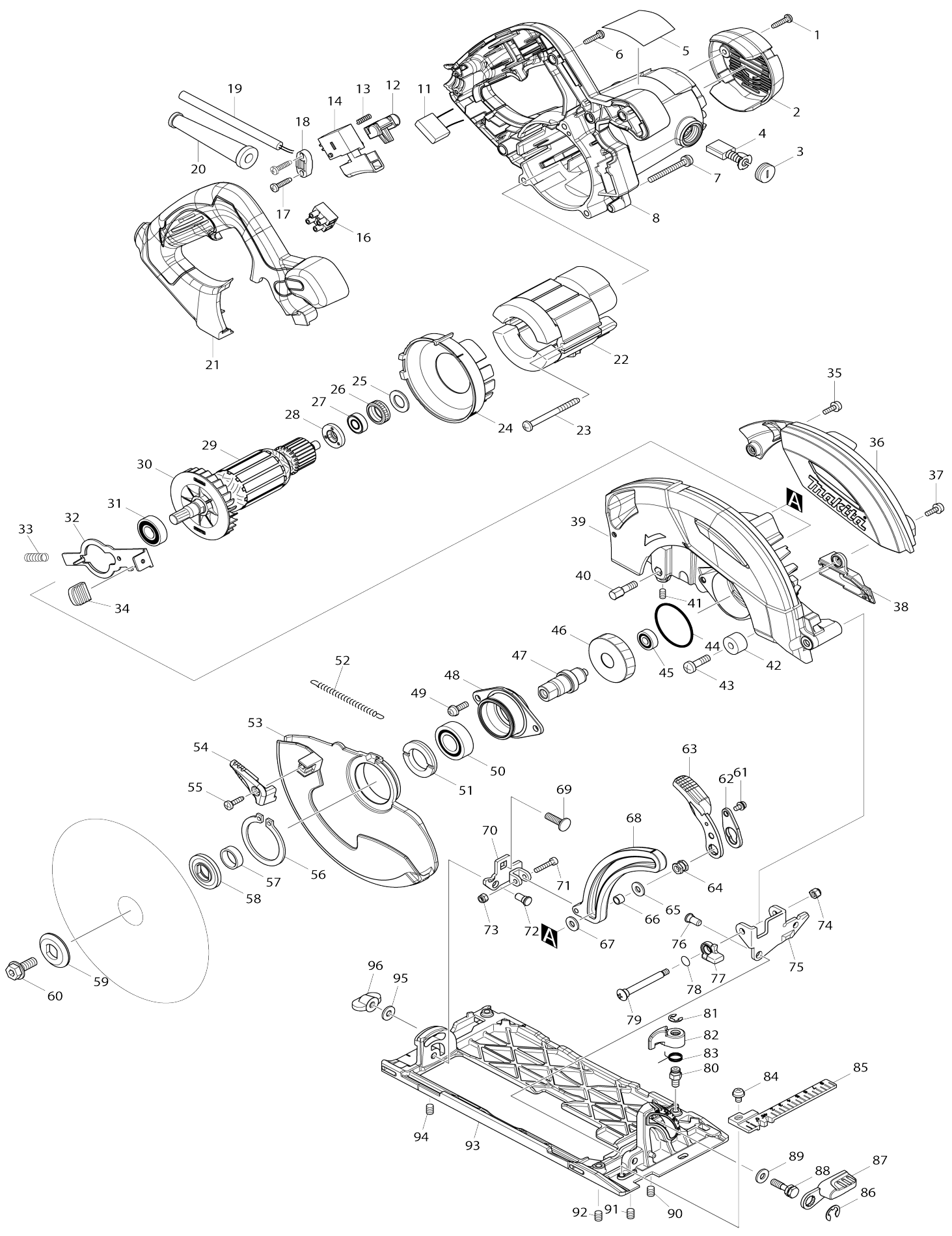


# Model No.HS7100 190MM CIRCULAR SAW



Model No.HS7100 190MM CIRCULAR SAW

Item No.	Parts No.	Description	Interchangability	Q'ty	New/Old	Note1	Note2
001	265995-6	TAPPING SCREW 4X18		2			
002	453288-5	REAR COVER		1			
003	643650-4	BRUSH HOLDER CAP 6.5-13.5		2	*		
003-1	643650-4	BRUSH HOLDER CAP 6.5-13.5	O	2			
004	196018-8	CARBON BRUSH SET CB-174		1	*		
004-1	196018-8	CARBON BRUSH SET CB-174	<	1			
005	896681-4	HS7100 NAME PLATE		1			
006	265995-6	TAPPING SCREW 4X18		5			
007	911268-2	PAN HEAD SCREW M5X45		3			
008	141313-1	MOTOR HOUSING COMPLETE		1			
C10	643653-8	BRUSH HOLDER 6.5-13.5		2	*		
C11	643536-2	BRUSH HOLDER 6.5X13.5	<	2			
011	645200-1	NOISE SUPPRESSOR		1			
012	453284-3	LOCK OFF BUTTON		1			
013	231469-9	COMPRESSION SPRING 4		1			
014	650245-6	SWITCH SGE115CDY-10		1			
016	654532-5	TERMINAL BLOCK 1P		1			
017	265995-6	TAPPING SCREW 4X18		2			
018	687052-4	STRAIN RELIEF		1			
019	665890-4	POWER SUPPLY CORD 1.0-2-4.0		1			
020	682540-6	CORD GUARD 9.3-90		1			
021	453282-7	HANDLE COVER		1			
022	525854-9	FIELD ASS'Y 220-240		1			
C10	654020-2	RING TERMINAL		2			
C20	654502-4	CONNECTOR P-2		2			
023	266044-2	TAPPING SCREW 5X60		2			
024	453283-5	BAFFLE PLATE		1			
025	261103-7	RUBBER WASHER 13		1			
026	421479-6	RUBBER RING 19		1			
027	210016-9	BALL BEARING 698ZZ		1			
028	681654-8	INSULATION WASHER		1			
029	513833-9	ARMATURE ASS'Y 220V		1			
D10		INC. 27,28,30,31					
030	240133-1	FAN 70		1			
031	211131-2	BALL BEARING 6001DDW		1			
032	346547-3	SHAFT LOCK		1			
033	233429-7	COMPRESSION SPRING 7		1			
034	286275-7	CAP		1			
035	911118-1	PAN HEAD SCREW M4X12		1			
036	453287-7	BLADE COVER		1			
037	911118-1	PAN HEAD SCREW M4X12		1			
038	453285-1	DUCT		1			
039	141311-5	BLADE CASE COMPLETE		1			
040	265594-4	HEX.BOLT M6X18		1			
041	266229-0	H.S.SET SCREW(CUP POINT)M5X8		1			
042	262552-1	RUBBER SLEEVE 6		1			
043	251247-1	+ PAN HEAD SCREW M6X20		1			

044	213560-5	O RING 44		1		
045	211022-7	BALL BEARING 607ZZ		1		
046	227754-6	HELICAL GEAR 43		1		
047	326127-1	SPINDLE		1		
048	318820-1	BEARING BOX		1		
049	911223-4	PAN HEAD SCREW M5X16		2		
050	211275-8	BALL BEARING 6003DDW		1		
051	285848-3	BEARING RETAINER 23-36		1		
052	231877-4	TENSION SPRING 4		1		
053	318821-9	SAFETY COVER		1		
054	272271-1	LEVER 37		1		
055	266034-5	TAPPING SCREW CT 4X16		1		
056	961201-4	RETAINING RING S-42		1		
057	257279-6	RING 17		1		
058	224412-5	INNER FLANGE 35		1	*	
058-1	224473-5	INNER FLANGE 35	O	1	*	
058-2	224593-5	INNER FLANGE 35	<	1		
059	224409-4	OUTER FLANGE 35		1		
060	266283-4	HEX. SOCKET HEX. BOLT M8X20		1		
061	911108-4	PAN HEAD SCREW M4X8		1		
062	453362-9	LOCK PLATE		1		
063	272273-7	LEVER 70		1		
064	264071-3	HEX. NUT M6		1		
065	267100-1	FLAT WASHER 6		1		
066	257669-3	SLEEVE 6		1		
067	267100-1	FLAT WASHER 6		1		
068	141312-3	DEPTH GUIDE COMPLETE		1		
069	251919-8	CAP SQUARE NECK BOLT M6X20		1		
070	165670-3	REAR ANGULAR GUIDE		1		
071	922137-2	HEX. SOCKET HEAD BOLT M4X20		1		
072	256480-0	SHOULDER PIN 6-7		1		
073	252126-6	HEX. LOCK NUT M4-7		1		
074	252103-8	HEX. LOCK NUT M5-8		1		
075	345590-9	ANGULAR GUIDE		1		
076	256480-0	SHOULDER PIN 6-7		1		
077	318823-5	STOPPER		1		
078	213062-1	O RING 9		1		
079	266734-7	+ TRUSS HEAD SCREW M5		1		
080	265571-6	HEX. BOLT M6X10		2		
081	961012-7	STOP RING E-6		2		
082	453165-1	LOCK LEVER		2		
083	233596-8	TORSION SPRING 11		2		
084	911203-0	PAN HEAD SCREW M5X8		1		
085	453286-9	TOP GUIDE		1		
086	257982-9	BOW STOP RING E-8		1		
087	272272-9	LEVER 45		1		
088	266735-5	HEX.BOLT M6X20		1		
089	267100-1	FLAT WASHER 6		1		
090	266208-8	H.S.SET SCREW(CUP POINT)M6X8		1		
091	266208-8	H.S.SET SCREW(CUP POINT)M6X8		1		
092	266208-8	H.S.SET SCREW(CUP POINT)M6X8		1		
093	318819-6	BASE		1		

094	266208-8	H.S.SET SCREW(CUP POINT)M6X8		1		
095	267100-1	FLAT WASHER 6		1		
096	252631-3	THUMB NUT M6		1		
A01	164095-8	GUIDE RULE		1		
A02	453289-3	DUST NOZZLE		1		
A03	911128-8	P.H.SCREW M4X16 WITH WR		1		
A04	B-02939	T.C.T. SAW BLADE 190MM		1		
A05	783204-6	HEX. WRENCH 6		1		
F01	194367-7	GUIDE RAIL 3000 SET		1		
F02	194368-5	GUIDE RAIL 1400 SET		1		
F04	194416-0	SHEET 10000 SET		1		
F05	194417-8	RUBBER SHEET 10000 SET		1		
F06	194418-6	POSITION SHEET 1400 SET		1		
F08-1	196664-7	BEVEL GUIDE SET	O	1	*	
F09	194910-2	POSITION SHEET 1900 SET		1		
F11	194925-9	GUIDE RAIL 1900 SET		1		
F13-2	197252-3	GUIDE RAIL ADAPTER SET	O	1		
F15	199140-0	GUIDE RAIL 1000 SET		1		
F16	199141-8	GUIDE RAIL 1500 SET		1		

Please state Parts No. when your order.

Print Date 25.10.2023