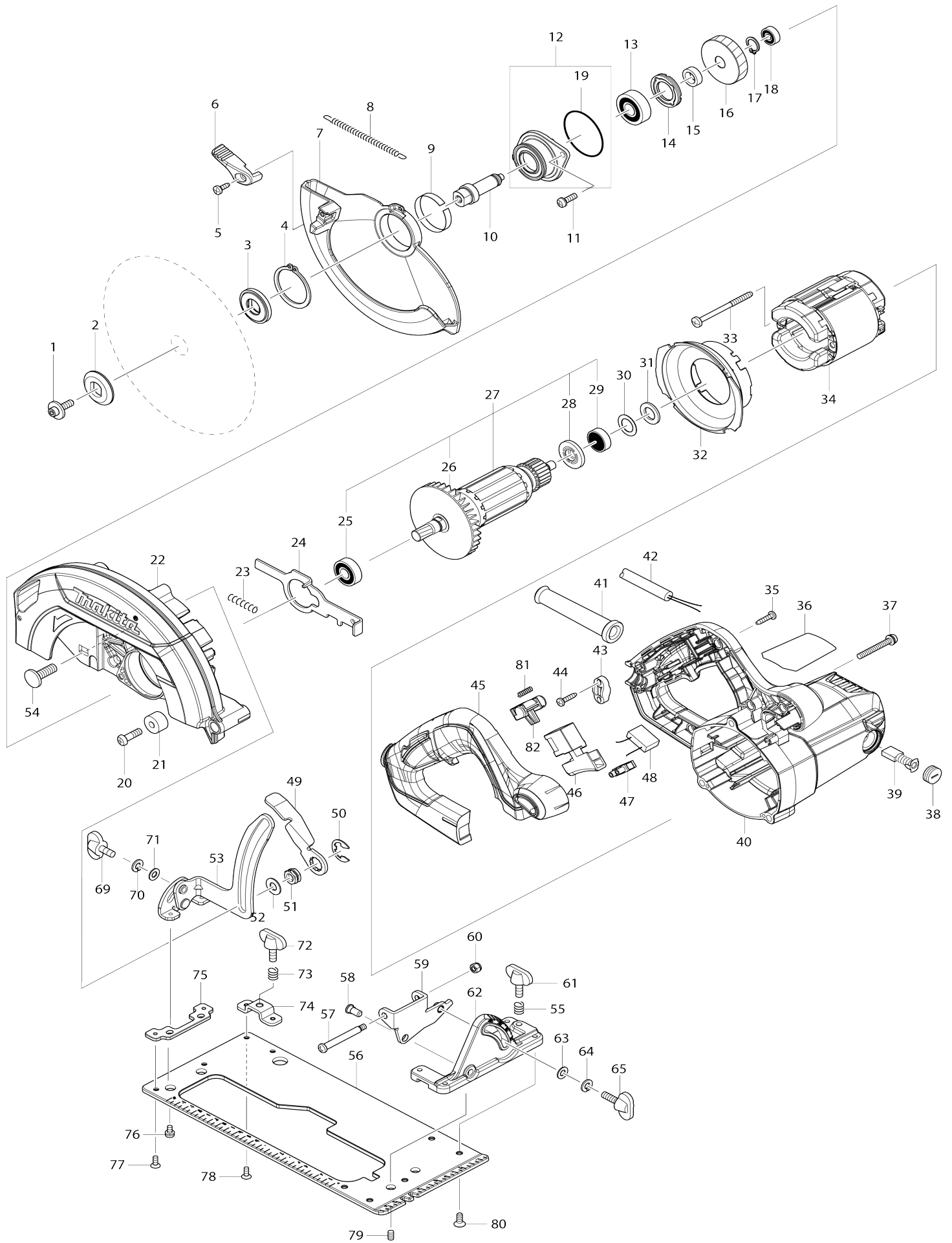


Model No.HS7611 185/190MM CIRCULAR SAW



Model No.HS7611 185/190MM CIRCULAR SAW

Item No.	Parts No.	Description	Interc hang eabilit y	Q'ty	New/ Old	Note1	Note2
001	266024-8	HEX. SOCKET HEAD BOLT M6X20		1			
002	224409-4	OUTER FLANGE 35		1			
003	224593-5	INNER FLANGE 35		1			
004	961155-5	RETAINING RING S-38		1			
005	266034-5	TAPPING SCREW CT 4X16		1			
006	271444-3	LEVER 37		1			
007	319188-8	SAFETY COVER		1	*		
007-1	312E14-0	SAFETY COVER	O	1			
008	231887-1	TENSION SPRING 4		1			
009	345391-5	THICKNESS RING		1			
010	326444-9	SPINDLE		1			
011	911226-8	PAN HEAD SCREW M5X18		2			
012	135947-0	BEARING BOX ASSEMBLY		1			
D10		INC. 19					
013	211129-9	BALL BEARING 6201DDW		1	*		
013-1	210195-3	BALL BEARING 6201DDW	O	1			
014	285852-2	BEARING RETAINER 19-33		1			
015	257173-2	RING 12		1			
016	221575-8	HELICAL GEAR 43		1			
017	961052-5	RETAINING RING (EXT) S-12		1			
018	210028-2	BALL BEARING 606ZZ		1			
019	213560-5	O RING 44		1			
020	265117-8	+PAN HEAD SCREW M6X20		1			
021	262556-3	RUBBER SLEEVE 6		1			
022	144729-9	BLADE CASE COMPLETE		1			
C10	213415-4	O RING 28		1			
023	233117-6	COMPRESSION SPRING 6		1			
024	347284-2	SHAFT LOCK		1			
025	211131-2	BALL BEARING 6001DDW		1	*		
025-1	210216-1	BALL BEARING 6001DDW	>	1			
026	241876-8	FAN 76		1			
027	515433-1	ARMATURE ASSEMBLY 220V		1	*		
D10		INC. 25,26,28,29					
027-1	510586-1	ARMATURE ASS'Y 220V	>	1			
D10		INC. 25,26,28,29					
028	681644-1	INSULATION WASHER		1			
029	210005-4	BALL BEARING 608DDW		1			
030	253192-6	FLAT WASHER 14		1			
031	261109-5	RUBBER WASHER 13		1			
032	458033-3	BAFFLE PLATE		1			
033	266352-1	TAPPING SCREW 5X65		2			
034	594679-2	FIELD ASSY 220-240V		1			
C10	654020-2	RING TERMINAL		2			
C20	654501-6	CONNECTOR P-1.25		2	*		
C21	654485-8	PARALLEL SPLICE	O	2			
C30	689055-4	RING TERMINAL RETAINER 15.5		2			
035	266326-2	TAPPING SCREW 4X18		5			

036	854B74-3	HS7611 NAME PLATE		1		
037	265104-7	PAN HEAD SCREW M5X40		3		
038	643750-0	BRUSH HOLDER CAP 7-11		2		
039	191963-2	CARBON BRUSH CB-303		1	*	
039-1	194996-6	CARBON BRUSH SET CB-303	O	1		
040	144767-1	MOTOR HOUSING COMPLETE		1		
C10	643708-9	BRUSH HOLDER 5-11		2		
041	682540-6	CORD GUARD 9.3-90		1		
042	665865-3	POWER SUPPLY CORD 1.0-2-2.5		1		
043	687124-5	STRAIN RELIEF		1		
044	266326-2	TAPPING SCREW 4X18		2		
045	458087-0	HANDLE COVER		1		
046	650245-6	SWITCH SGE115CDY-10		1		
047	654532-5	TERMINAL BLOCK 1P		1		
048	645200-1	NOISE SUPPRESSOR		1		
049	346311-2	LEVER PLATE		1		
050	257953-6	BOW STOP RING E-12		1		
051	252199-9	HEX. NUT M8-13		1		
052	941201-0	FLAT WASHER 8		1		
053	161776-5	DEPTH GUIDE COMPLETE		1		
054	266396-1	FLATHEAD SQUARENECKBOLT M8X24		1		
055	233376-2	COMPRESSION SPRING 8		1		
056	346826-9	BASE		1		
057	265118-6	+ PAN HEAD SCREW M5		1		
058	256480-0	SHOULDER PIN 6-7		1		
059	346827-7	ANGULAR GUIDE		1		
060	252103-8	HEX. LOCK NUT M5-8		1		
061	265701-9	THUMB SCREW M6X14		1		
062	317031-5	ANGULAR PLATE		1		
063	941151-9	FLAT WASHER 6		1		
064	942151-2	SPRING WASHER 6		1	*	
064-1	253428-3	SPRING WASHER 6	O	1	*	
065	265708-5	THUMB SCREW M6X20		1		
069	265701-9	THUMB SCREW M6X14		1		
070	942151-2	SPRING WASHER 6		1	*	
070-1	253428-3	SPRING WASHER 6	O	1	*	
071	941151-9	FLAT WASHER 6		1		
072	265701-9	THUMB SCREW M6X14		1		
073	233376-2	COMPRESSION SPRING 8		1		
074	346847-1	BRACKET		1		
075	346846-3	PLATE		1		
076	911106-8	PAN HEAD SCREW M4X8		2		
077	265085-5	+ COUNTERSUNK HEAD SCREW M4X8		2		
078	265085-5	+ COUNTERSUNK HEAD SCREW M4X8		2		
079	266436-5	H.S.SET SCREW(FLAT POINT)M5X8		2		
080	912212-2	COUNTERSUNK HEAD SCREW M5X12		5		
081	231469-9	COMPRESSION SPRING 4		1		
082	453284-3	LOCK OFF BUTTON		1		

A01	783217-7	HEX. WRENCH 5		1		
A02	B-07967	T.C.T.SAW BLADE 190X30X12T		1		
A03	164095-8	GUIDE RULE		1		
A04	196520-1	DUST NOZZLE SET		1		
B01	198933-2	DUST NOZZLE SET		1		
D10		INC. 6,A04				
F01	194367-7	GUIDE RAIL 3000 SET		1		
F02	194368-5	GUIDE RAIL 1400 SET		1		
F04	194416-0	SHEET 10000 SET		1		
F05	194417-8	RUBBER SHEET 10000 SET		1		
F06	194418-6	POSITION SHEET 1400 SET		1		
F08	194910-2	POSITION SHEET 1900 SET		1		
F10	194925-9	GUIDE RAIL 1900 SET		1		
F13	196664-7	BEVEL GUIDE SET		1	*	
F15	197005-0	GUIDE RAIL ADAPTER C SET		1		
F16	198933-2	DUST NOZZLE SET		1		
F17	199140-0	GUIDE RAIL 1000 SET		1		
F18	199141-8	GUIDE RAIL 1500 SET		1		
F20	191B18-5	GUIDE RAIL ADAPTER C SET		1		

Please state Parts No. when your order.

Print Date 01/29/2024