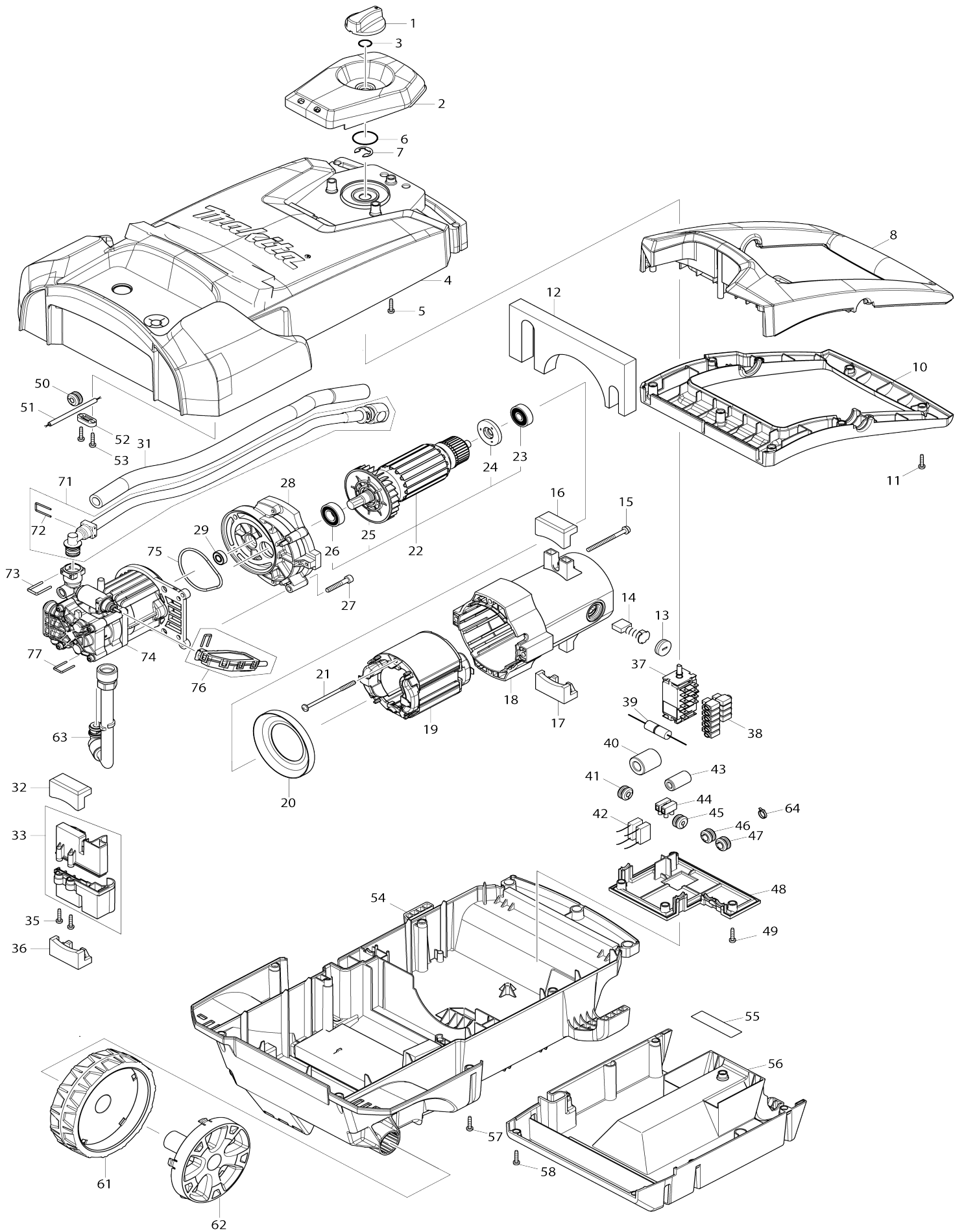
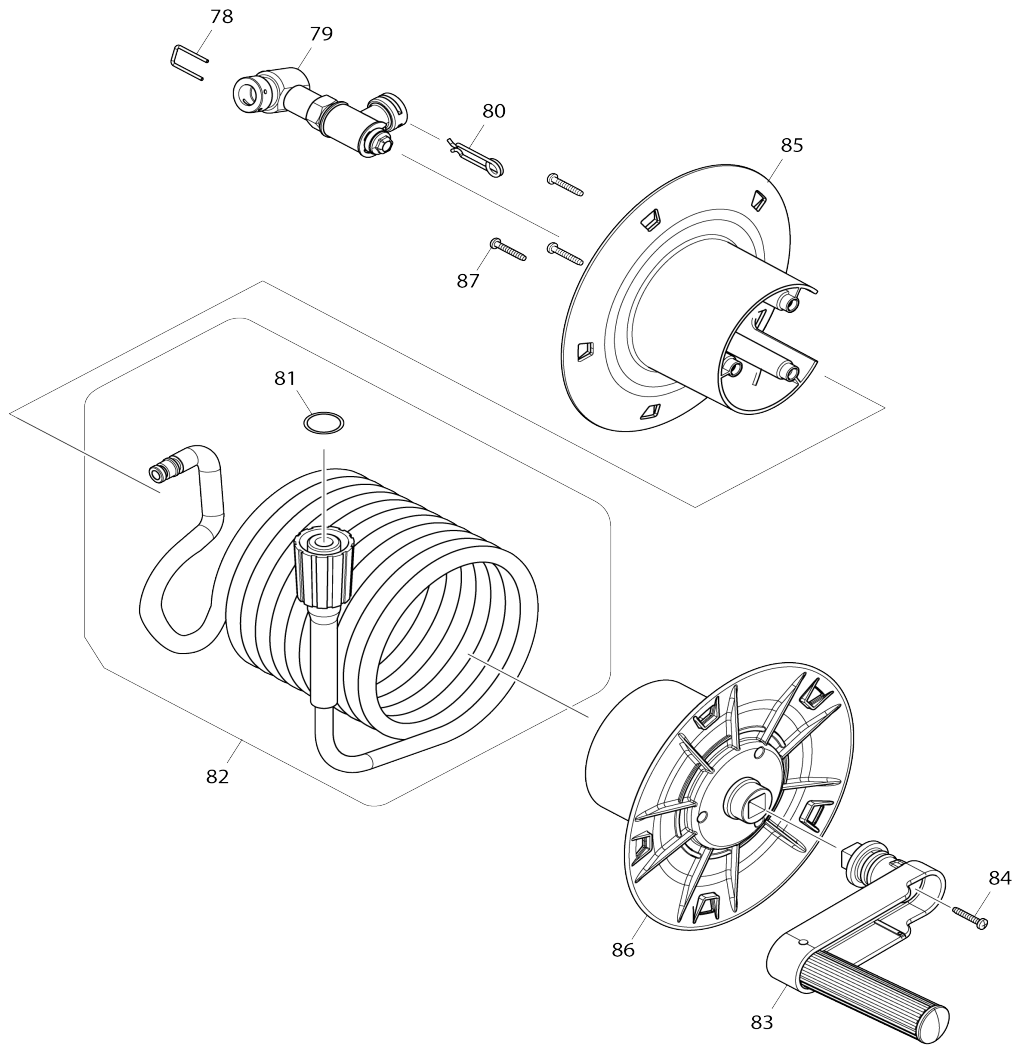


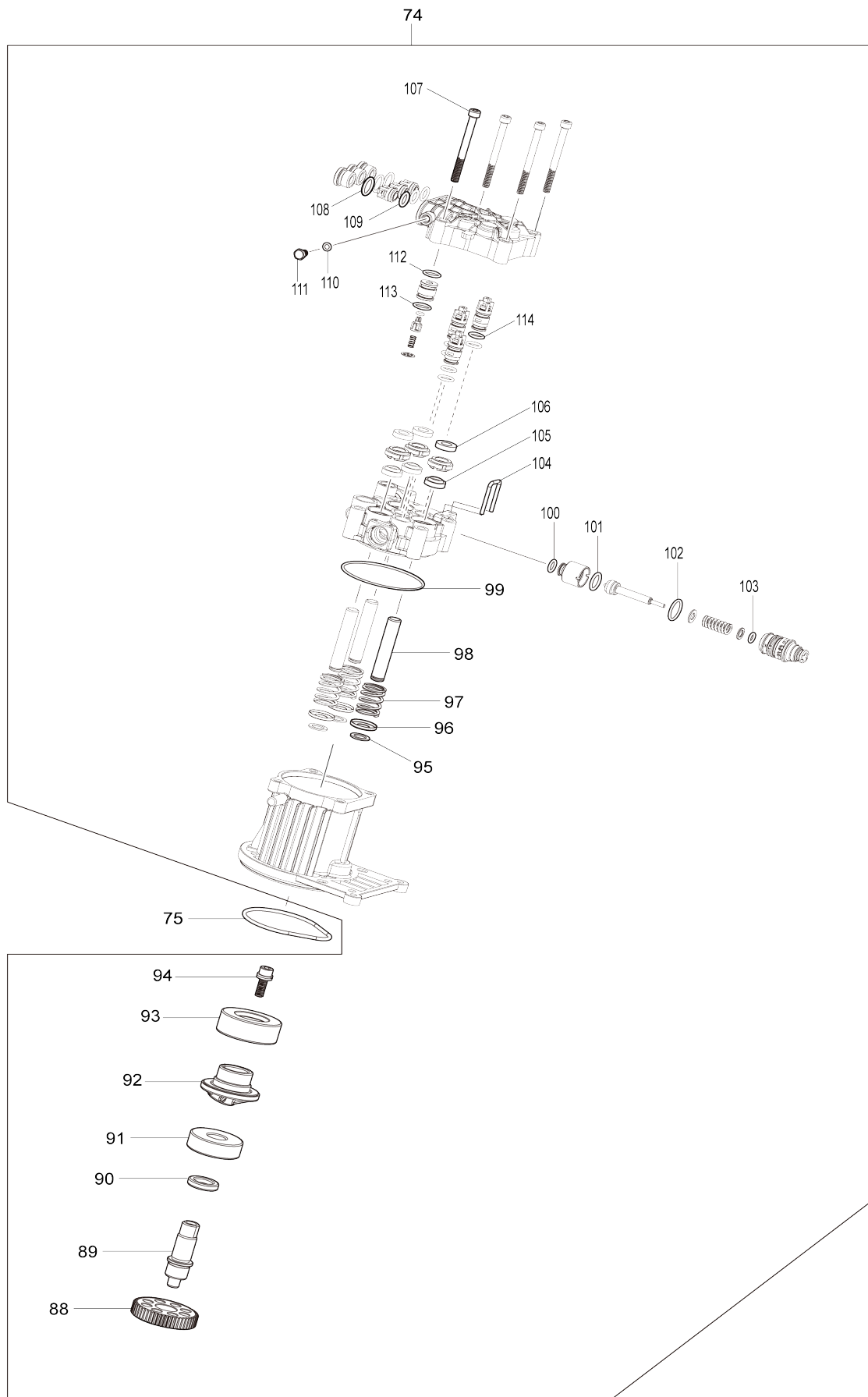
Model No.HW1300 HIGH PRESSURE WASHER



Model No.HW1300 HIGH PRESSURE WASHER



Model No.HW1300 HIGH PRESSURE WASHER



Model No.HW1300 HIGH PRESSURE WASHER

| Item No. | Parts No. | Description | Interchangability | Q'ty | New/Old | Note1 | Note2 |
|----------|-----------|------------------------|-------------------|------|---------|-------|-------|
| 001 | 456837-7 | SWITCH DIAL 50 | | 1 | | | |
| 002 | 456844-0 | FRONT COVER | | 1 | | | |
| 003 | 213176-6 | O RING 14 | | 1 | | | |
| 004 | 143814-5 | FRONT HOUSING COMPLETE | | 1 | | | |
| 005 | 266045-0 | TAPPING SCREW 4X20 | | 4 | | | |
| 006 | 213412-0 | O RING 29 | | 1 | | | |
| 007 | 961062-2 | STOP RING E-12 | | 1 | | | |
| 008 | 456840-8 | FRONT HANDLE | | 1 | | | |
| 010 | 456842-4 | REAR HANDLE | | 1 | | | |
| 011 | 266045-0 | TAPPING SCREW 4X20 | | 9 | | | |
| 012 | 424856-1 | SCREEN SPONGE F | | 1 | | | |
| 013 | 643700-5 | BRUSH HOLDER CAP 7-18 | | 2 | | | |
| 014 | 191953-5 | CARBON BRUSH CB-203 | | 1 | * | | |
| 014-1 | 194991-6 | CARBON BRUSH SET CB203 | O | 1 | | | |
| 015 | 911288-6 | PAN HEAD SCREW M5X65 | | 4 | | | |
| 016 | 424852-9 | RUBBER CUSHION | | 1 | | | |
| 017 | 424852-9 | RUBBER CUSHION | | 1 | | | |
| 018 | 143813-7 | MOTOR HOUSING COMPLETE | | 1 | | | |
| C10 | 643712-8 | BRUSH HOLDER | | 2 | | | |
| 019 | 639100-5 | FIELD ASSY 240V | | 1 | * | | |
| C10 | 654197-3 | RING TERMINAL | | 2 | * | | |
| C20 | 654502-4 | CONNECTOR P-2 | | 2 | * | | |
| 019-1 | 639082-1 | FIELD ASSY 240V | O | 1 | | | |
| C10 | 654197-3 | RING TERMINAL | | 2 | | | |
| C20 | 654502-4 | CONNECTOR P-2 | | 2 | | | |
| 020 | 416131-9 | BAFFLE PLATE | | 1 | | | |
| 021 | 265A13-6 | TAPPING SCREW 5X85 | | 2 | | | |
| 022 | 513469-4 | ARMATURE ASSEMBLY 240V | | 1 | * | | |
| D10 | | INC. 23-26 | | | | | |
| 022-1 | 513469-4 | ARMATURE ASSEMBLY 240V | O | 1 | | | |
| D10 | | INC. 23-26 | | | | | |
| 023 | 211067-5 | BALL BEARING 6200ZZ | | 1 | | | |
| 024 | 681630-2 | INSULATION WASHER | | 1 | | | |
| 025 | 241908-1 | FAN 80 | | 1 | | | |
| 026 | 211236-8 | BALL BEARING 6002DDW | | 1 | | | |
| 027 | 266586-6 | H.S.H.BOLT M6X35 | | 4 | | | |
| 028 | 143822-6 | GEAR HOUSING COMPLETE | | 1 | | | |
| C10 | 263005-3 | RUBBER PIN 6 | | 1 | | | |
| 029 | 211166-3 | BALL BEARING 698DDW | | 1 | | | |
| 031 | 424869-2 | HOSE COVER | | 1 | | | |
| 032 | 424852-9 | RUBBER CUSHION | | 1 | | | |
| 033 | 183D72-5 | PUMP RETAINER SET | | 1 | | | |
| 035 | 266045-0 | TAPPING SCREW 4X20 | | 2 | | | |
| 036 | 424852-9 | RUBBER CUSHION | | 1 | | | |
| 037 | 650775-7 | SWITCH | | 1 | | | |
| 038 | 686035-1 | RECEPTACLE SLEEVE | | 10 | | | |
| 039 | 632G73-3 | CURRENT FUSE UNIT | | 1 | | | |
| | | | | | | | |

| | | | | | | |
|-------|------------|-----------------------------|---|---|---|--|
| 040 | 688140-0 | LINE FILTER | | 1 | | |
| 041 | 682100-4 | GROMMET | | 1 | | |
| 042 | 645089-7 | NOISE SUPPRESSOR | | 2 | | |
| 043 | 688162-0 | LINE FILTER | | 1 | | |
| 044 | 654531-7 | TERMINAL BLOCK 2P | | 1 | * | |
| 044-1 | 654741-6 | TERMINAL BLOCK | O | 1 | | |
| 045 | 682098-5 | GROMMET | | 1 | | |
| 046 | 682100-4 | GROMMET | | 1 | | |
| 047 | 682100-4 | GROMMET | | 1 | | |
| 048 | 456833-5 | SWITCH BOX COVER | | 1 | | |
| 049 | 266045-0 | TAPPING SCREW 4X20 | | 4 | | |
| 050 | 682100-4 | GROMMET | | 1 | | |
| 051 | 665856-4 | POWER SUPPLY CORD 1.0-2-5.7 | | 1 | | |
| 052 | 687124-5 | STRAIN RELIEF | | 1 | | |
| 053 | 266045-0 | TAPPING SCREW 4X20 | | 2 | | |
| 054 | 143820-0 | REAR HOUSING COMPLETE | | 1 | | |
| C10 | 809R02-9 | CAUTION LABEL | | 1 | | |
| 055 | 852W26-4 | HW1300 NAME PLATE | | 1 | | |
| 056 | 456838-5 | REAR BOX | | 1 | | |
| 057 | 266045-0 | TAPPING SCREW 4X20 | | 8 | | |
| 058 | 266045-0 | TAPPING SCREW 4X20 | | 7 | | |
| 061 | 456835-1 | WHEEL | | 2 | | |
| 062 | 456836-9 | WHEEL CAP | | 2 | | |
| 063 | 123649-0 | ABSORPTION JOINT | | 1 | | |
| 064 | 687010-0 | BAND | | 1 | | |
| 071 | TG00000004 | HIGH-PRESSURE HOSE JOINT | | 1 | | |
| 072 | TG00000002 | U TYPE PIN 3 | | 1 | | |
| 073 | TG00000002 | U TYPE PIN 3 | | 1 | | |
| 074 | TG00000001 | PUMP COMPLETE | | 1 | * | |
| D10 | | INC. 88-114 | | | | |
| 074-1 | TG00000001 | PUMP COMPLETE | O | 1 | * | |
| D10 | | INC. 88-114 | | | | |
| 074-2 | TG00000063 | PUMP COMPLETE SET | < | 1 | | |
| D10 | | INC. 88-114 | | | | |
| 075 | TG00000006 | SEAL RING 62 | | 1 | | |
| 076 | TG00000005 | PRESSURE SWITCH COMPLETE | | 1 | | |
| 077 | TG00000003 | U TYPE PIN 2 | | 1 | * | |
| 077-1 | TG00000062 | U TYPE PIN 2.2 | O | 1 | | |
| 078 | TG00000003 | U TYPE PIN 2 | | 1 | | |
| 079 | TG00000010 | REEL JOINT COMPLETE | | 1 | | |
| D10 | | INC. 116,117,118,119,120 | | | | |
| 080 | TG00000011 | TORSION SPRING 8 | | 1 | | |
| 081 | TG00000008 | O RING 10 | | 1 | * | |
| 081-1 | TG00000058 | O RING 10 | O | 1 | | |
| 082 | TG00000009 | HIGH-PRESSURE HOSE 10M | | 1 | * | |
| D10 | | INC. 81,115 | | | | |
| 082-1 | TG00000059 | HIGH-PRESSURE HOSE 10M | O | 1 | | |
| D10 | | INC. 81,115 | | | | |
| 083 | TG00000013 | REEL HANDLE COMPLETE | | 1 | * | |
| 083-1 | TG00000023 | REEL HANDLE COMPLETE | O | 1 | | |
| 084 | TG00000012 | SCREW 3.5X19 | | 1 | | |
| 085 | 456897-9 | HOSE REEL L | | 1 | | |

| | | | | | | |
|-------|------------|--------------------------|---|---|---|--|
| 086 | 456823-8 | HOSE REEL R | | 1 | | |
| 087 | TG00000012 | SCREW 3.5X19 | | 3 | | |
| 088 | TG00000025 | HELICAL GEAR | | 1 | * | |
| 088-1 | TG00000025 | HELICAL GEAR | O | 1 | | |
| 089 | TG00000026 | SPINDLE | | 1 | | |
| 090 | TG00000030 | OIL SEAL | | 1 | | |
| 091 | TG00000031 | BALL BEARING | | 1 | | |
| 092 | TG00000027 | WOBBLE PLATE | | 1 | | |
| 093 | TG00000028 | THRUST BALL BEARING | | 1 | | |
| 094 | TG00000029 | H.S.H.BOLT | | 1 | | |
| 095 | TG00000032 | RETAINING RING | | 3 | | |
| 096 | TG00000033 | SPRING RETAINER | | 3 | | |
| 097 | TG00000034 | COMPRESSION SPRING | | 3 | | |
| 098 | TG00000035 | PISTON PIN | | 3 | | |
| 099 | TG00000036 | O-RING | | 1 | | |
| 100 | TG00000037 | O-RING | | 1 | * | |
| 100-1 | TG00000065 | O RING | S | 1 | | |
| 101 | TG00000038 | O-RING | | 1 | | |
| 102 | TG00000048 | O-RING | | 1 | | |
| 103 | TG00000039 | O-RING | | 1 | | |
| 104 | TG00000040 | U TYPE PIN | | 1 | | |
| 105 | TG00000041 | OIL SEAL | | 3 | | |
| 106 | TG00000042 | PACKING | | 3 | | |
| 107 | TG00000043 | H.S.H.BOLT | | 4 | | |
| 108 | TG00000044 | O-RING | | 3 | | |
| 109 | TG00000024 | O-RING | | 3 | | |
| 110 | TG00000046 | O-RING | | 1 | | |
| 111 | TG00000045 | HEX BOLT | | 1 | | |
| 112 | TG00000047 | O-RING | | 1 | | |
| 113 | TG00000047 | O-RING | | 1 | | |
| 114 | TG00000037 | O-RING | | 6 | | |
| 115 | TG00000015 | O-RING 7.5 | | 1 | | |
| 116 | TG00000053 | O-RING 11X2.65 | | 2 | | |
| 117 | TG00000039 | O-RING | | 2 | | |
| 118 | TG00000046 | O-RING | | 2 | | |
| 119 | TG00000054 | O-RING 9X1.8 | | 2 | | |
| 120 | TG00000054 | O-RING 9X1.8 | | 1 | | |
| A01 | 197842-2 | TRIGGER GUN SET | | 1 | | |
| A02 | 197886-2 | FOAM NOZZLE SET | | 1 | * | |
| A02-1 | 197886-2 | FOAM NOZZLE SET | O | 1 | * | |
| A02-2 | 1912Y2-5 | FOAM NOZZLE SET | O | 1 | | |
| A03 | 197876-5 | VARIOSPRAY LANCE SET | | 1 | * | |
| A03-1 | 197822-8 | VARIABLE NOZZLE SET | X | 1 | | |
| A04 | 197824-4 | CYCLONE JET NOZZLE SET | | 1 | | |
| A05 | 197810-5 | CONNECTOR SET | | 1 | | |
| C10 | 197883-8 | ONE TOUCH JOINT SET | | 1 | | |
| C20 | 197881-2 | ABSORPTION CONNECTOR SET | | 1 | | |
| C30 | 123660-2 | CLEANING PIN | | 1 | * | |
| C31 | 197879-9 | CLEANER PIN SET | O | 1 | | |
| E01 | 807E85-5 | SOUND 92DB LABEL | | 1 | | |
| F04 | 197831-7 | ROTATING BRUSH SET | | 1 | | |
| | | | | | | |

| | | | | | | | |
|-------|----------|-------------------------------|---|---|--|--|--|
| F05-1 | 197837-5 | PIPE CLEANING HOSE 10M SET | O | 1 | | | |
| F06-1 | 197840-6 | PIPE CLEANING HOSE 15M SET | O | 1 | | | |
| F08 | 197845-6 | EXTENDED HIGH P. HOSE 5M SET | | 1 | | | |
| F09 | 197847-2 | EXTENDED HIGH P. HOSE 8M SET | | 1 | | | |
| F10 | 197850-3 | EXTENDED HIGH P. HOSE 10M SET | | 1 | | | |
| F11 | 197853-7 | ACCESSORY JOINT SET | | 1 | | | |
| F12 | 197859-5 | UNDER BODY SPRAY LANCE SET | | 1 | | | |
| F15 | 197870-7 | EXTENSION PIPE SET | | 1 | | | |
| F22 | 198909-9 | UNDER BODY SPRAY LANCE SET | | 1 | | | |
| F23 | 191U86-2 | VARIO SPRAY NOZZLE SET | | 1 | | | |
| F24 | 191U88-8 | VARIO SPRAY LANCE SET | | 1 | | | |

Please state Parts No. when your order.

Print Date 03/01/2024