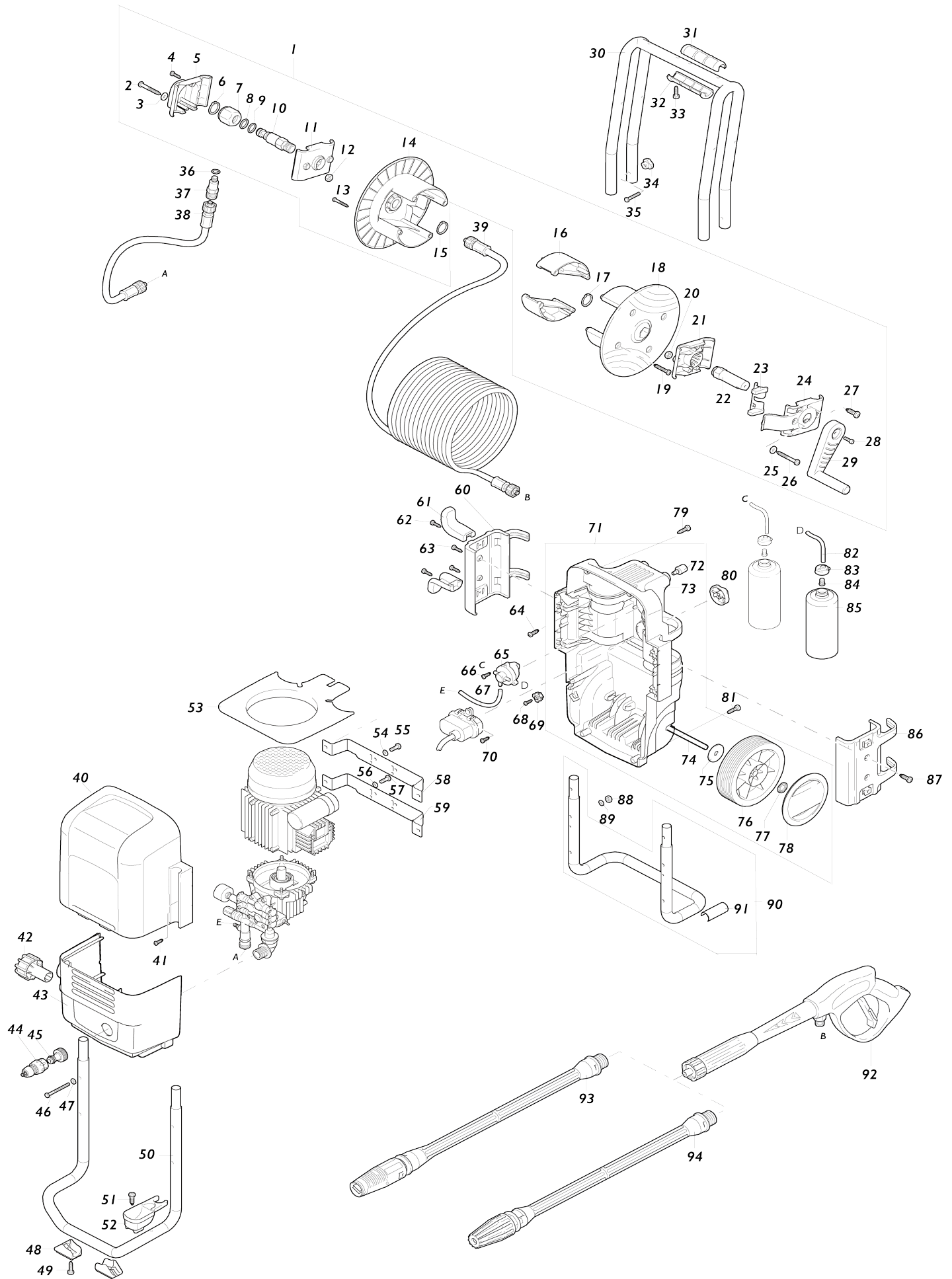
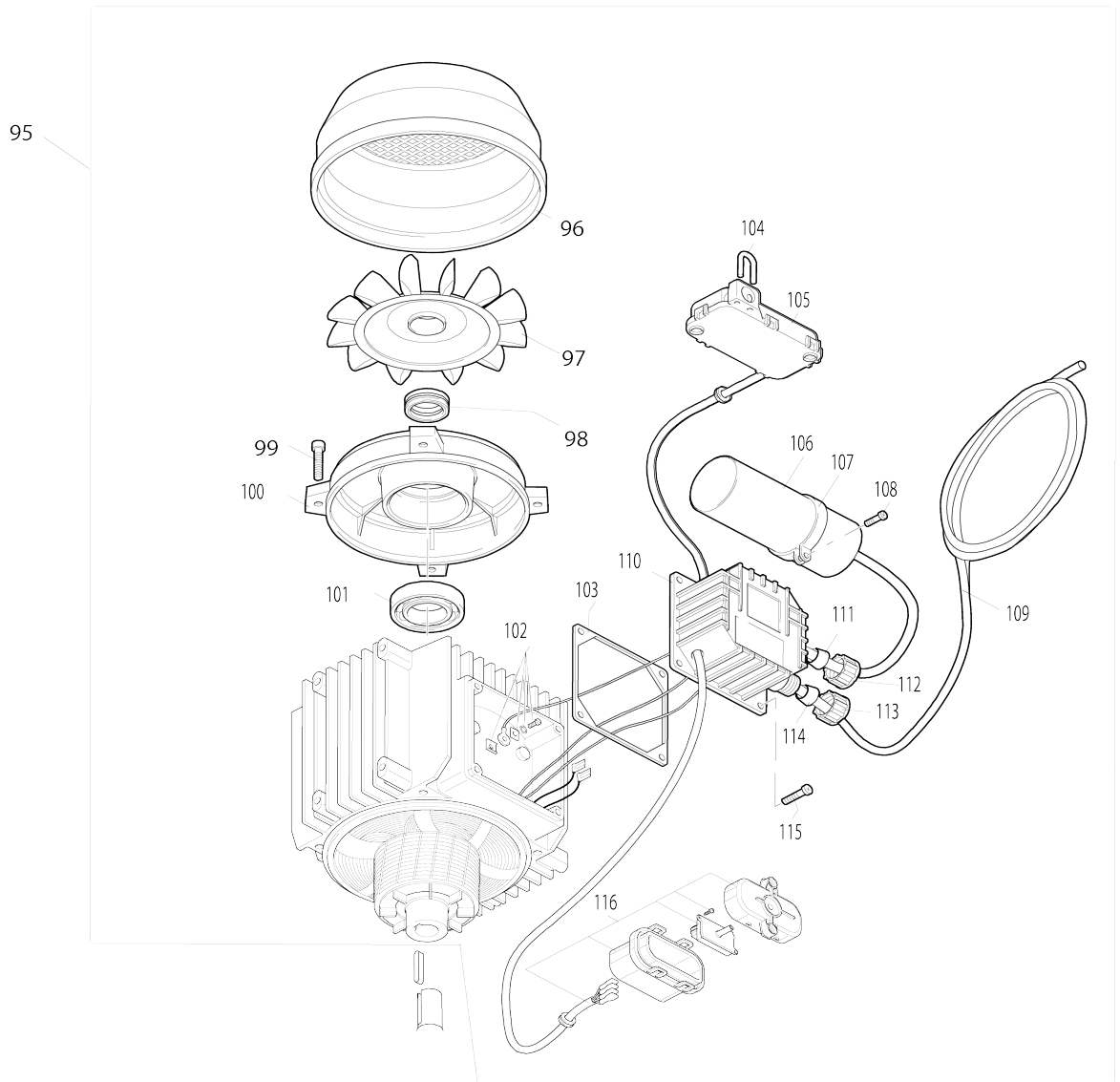


Model No.HW151 HIGH PRESSURE WASHER

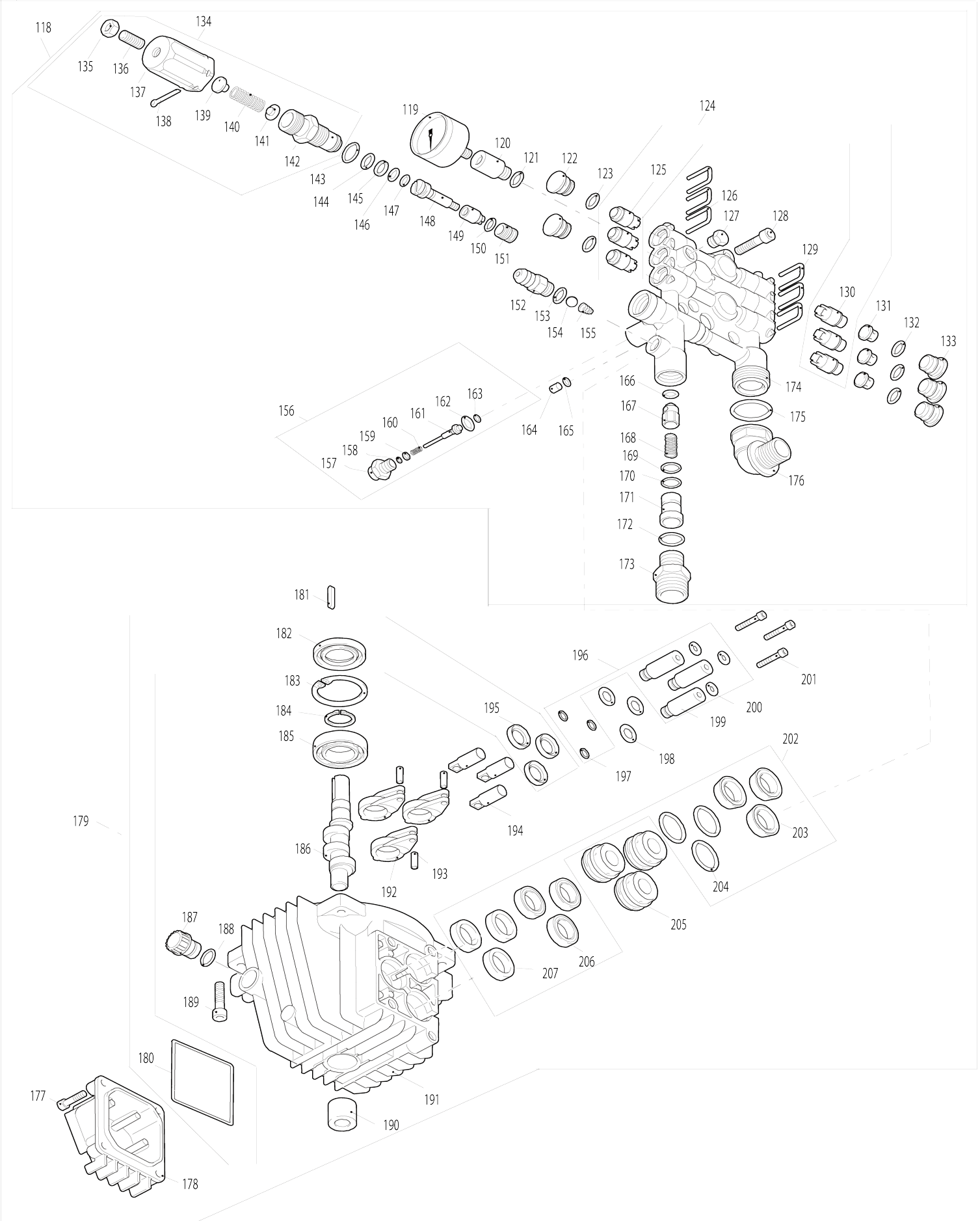


Model No.HW151 HIGH PRESSURE WASHER



Model No.HW151 HIGH PRESSURE WASHER

117



Model No.HW151 HIGH PRESSURE WASHER

Item No.	Parts No.	Description	Interchangeability	Q'ty	New/Old	Note1	Note2
001	609042581	HOSE REEL ASSEMBLY		1			
D10		INC. 2-29					
002	609580330	PAN HEAD SCREW M5X40		2			
003	609470390	FLAT WASHER 5		2			
004	609100300	SCREW 5X16		1			
005	609580150	HOSE REEL BRACKET L OUTSIDE		1			
006	609480890	RETAINING RING ØE 17		1			
007	609600220	REEL AXLE LEFT OUTSIDE		1			
008	609390080	O-RING Ø 11,91X2,62		1			
009	609390080	O-RING Ø 11,91X2,62		1			
010	609580340	REEL AXLE LEFT INSIDE		1			
011	609580160	HOSE REEL BRACKET INSIDE		1			
012	609680750	NYLON INSERT HEX.LOCK NUT M5		2			
013	609021780	TAPPING SCREW 4X32		4			
014	609360230	HOSE REEL DRUM HARF		1			
015	609380420	RETAINING RING Ø 22		1			
016	609580120	HOSE REEL EXTENSION SPACER		2			
017	609380420	RETAINING RING Ø 22		1			
018	609360230	HOSE REEL DRUM HARF		1			
019	609021780	TAPPING SCREW 4X32		4			
020	609680750	NYLON INSERT HEX.LOCK NUT M5		2			
021	609580160	HOSE REEL BRACKET INSIDE		1			
022	609580350	REEL AXLE LEFT		1			
023	609580130	HOSE REEL LOCK		1			
024	609580140	HOSE REEL BRACKET R OUTSIDE		1			
025	609470390	FLAT WASHER 5		2			
026	609580330	PAN HEAD SCREW M5X40		2			
027	609100300	SCREW 5X16		1			
028	609360360	HEX SOCKET BOLT M5X10		1			
029	609360150	CRANK LEVER		1			
030	609580080	PIPE FRAME UPPER		1			
031	609580180	GRIP COVER UPPER		2			
032	609580090	GRIP COVER LOWER		2			
033	609100300	SCREW 5X16		4			
034	609050019	KNOB NUT M6		2			
035	609050037	HEX BOLT M6X40		2			
036	609820510	O-RING Ø 10,82X1,78		1			
037	609600260	FITTING		1			
038	609580310	HIGH PRESSURE HOSE 0.75M ASSY		1			
C10	609000570	O-RING 10X2		2			
039	609083550	HIGH PRESSURE HOSE 10M ASSY		1			
C10	609000570	O-RING 10X2		2			
040	609580020	FRONT HOUSING UPPER MAKITA		1			
041	609100300	SCREW 5X16		1			
042	609360760	PRESSURE ADJUST KNOB		1			

043	609580230	FRONT HOUSING LOWER BLUE	1		
044	609040086	QUICK COUPLING NIPPLE G3/4	1		
045	609082130	HOSE QUICK COUPLING	1		
046	609320570	HEX BOLT M5X100	4		
047	609680960	FLAT WASHER 5	4		
048	609580270	FOOT	2		
049	609060200	TAPPING SCREW 4.5X16	2		
050	609580070	PIPE FRAME LOWER FRONT	1		
051	609060200	TAPPING SCREW 4.5X16	1		
052	609580250	ACCESSORIES CAP	1		
053	609580040	PARTITIONplate	1		
054	609550331	FLAT WASHER 6	2		
055	609320350	HEX BOLT M6X12	2		
056	609550331	FLAT WASHER 6	2		
057	609320350	HEX BOLT M6X12	2		
058	609580260	SUB FRAME FOR MOTOR	1		
059	609580260	SUB FRAME FOR MOTOR	1		
060	609580050	ACCESSORIES CARRIER LEFT	1		
061	609360090	CORD FOOK	2		
062	609100300	SCREW 5X16	2		
063	609100300	SCREW 5X16	2		
064	609060200	TAPPING SCREW 4.5X16	2		
065	609440190	DETERGENT VALVE	1		
066	609000110	TAPPING SCREW 3.5X15	3		
067	609580290	SILICONE TUBE 6MM L=0.45M	1		
068	609100300	SCREW 5X16	1		
069	609600100	CABLE GLAND	1		
070	609100300	SCREW 5X16	2		
071	609589000	REAR HOUSING ASSY	1		
D10		INC. 72-78			
072	609180330	RUBBER FOOT	2		
073	609580010	REAR HOUSING	1		
074	609180080	WHEEL AXLE	1		
075	609680890	WASHER 12.5X48X2.5 Z/B	2		
076	609580280	WHEEL 8 INCH	2		
077	609680880	WASHER	2		
078	609580170	WHEEL COVER MAKITA	2		
079	609100300	SCREW 5X16	2		
080	609900220	DETERGENT VALVE KNOB	1		
081	609100300	SCREW 5X16	2		
082	609580300	SILICONE TUBE 6MM L=0.55M	2		
083	609580190	DETERGENT TANK CAP	2		
084	609000230	FILTER	2		
085	609180130	DETERGENT TANK	2		
086	609580050	ACCESSORIES CARRIER LEFT	2		
087	609100300	SCREW 5X16	2		
088	609480640	NYLON INSERT HEX.LOCK NUT M 5	4		
089	609480650	FLAT WASHER 5	4		
090	609580060	PIPE FRAME LOWER REAR ASSY	1		
D10		INC. 91			
091	609580370	PIPE FRAME PROTECTOR	2		

092	609041154	TRIGGER GUN SET AR	1		
093	609040551	SPRAY LANCE WIDE/NALLOW AR	1		
094	609040167	CYCLON JET NOZZLE SET AR	1		
095	609044476	MOTOR ASSY 230V 50HZ EURO P LUG	1		
D10		INC. 96-116			
096	609342040	FAN COVER	1		
097	609260300	COOLING FAN	1		
098	609340350	OIL SEAL	1		
099	609260760	HEX BOLT M5X20	1		
100	609340320	MOTOR HOUSING UPPER	1		
101	609340340	BALL BEARING	1		
102	609269100	EARTH TARMINAL CLAMPING SE T	1		
103	609340780	GASKET	1		
104	609022200	U-PIN	1		
105	609029752	PRESSURE SWITCH	1		
106	609263520	CAPACITOR 40 MICRO F	1		
107	609982550	CAPACITOR CLAMP BAND	1		
108	609261560	TAPPING SCREW 3,9X16	3		
109	609760450	POWER SUPPLY CORD EURO PLU G	1		
110	609341832	JUNCTION BOX	1		
111	609340660	RUBBER FOOT	1		
112	609340640	RING NUT	1		
113	609340640	RING NUT	1		
114	609340650	RUBBER FOOT	1		
115	609261560	TAPPING SCREW 3,9X16	1		
116	609909209	SWITCH BOX SET	1		
117	609349285	PUMP ASSY	1		
D10		INC. 118,177-179,181,183-194,			
D20		196,198,201,202,205			
118	609349204	PUMP HEAD ASSY	1		
D10		INC. 119-124,126-129,131-134,			
D20		143-156,164-176			
119	609040476	PRESSURE GAUGE	1		
120	609344940	FITTING R1/8	1		
121	609465720	O-RING	1		
122	609344800	VALVE CAP PLUG	2		
123	609465720	O-RING	2		
124	609042566	VALVE REPAIR SET	1		
D10		INC. 125,130			
125	609349055	VALVE CPL.	3		
126	609344790	U-PIN	3		
127	609620301	PLUG 1/8" G	1		
128	609850850	SCREW M6X30	4		
129	609344790	U-PIN	3		
130	609349055	VALVE CPL.	3		
131	609344770	SPACER	3		
132	609465720	O-RING	3		
133	609344800	VALVE CAP PLUG	3		
134	609042579	REGULATOR HANDLE SET	1		

D10		INC. 135-142				
135	609060120	NUT M6		1		
136	609980740	BLIND PLUG		1		
137	609344881	REGULATOR HANDLE NUT		1		
138	609500550	SPLIT PIN 2.6X15 Z/B		1		
139	609980220	SPRING SEAT UPPER		1		
140	609460190	SPRING		1		
141	609343450	WOBBLE PLATE		1		
142	609344870	PISTON GUIDE		1		
143	609740290	O-RING Ø 14X1,78		1		
144	609820510	O-RING Ø 10,82X1,78		1		
145	609080401	RING		1		
146	609600180	O-RING 7.66X1.78		1		
147	609080190	O-RING Ø 2,90X1,78		1		
148	609021900	PISTON		1		
149	609460151	REGULATOR PISTON LOWER		1		
150	609600180	O-RING 7.66X1.78		1		
151	609342701	REGULATOR PISTON SEAT		1		
152	609982520	HOSE NIPPLE R1/8		1		
153	609480480	O-RING Ø 4,48X1,78		1		
154	609250280	BALL		1		
155	609560520	SPRING		1		
156	609042580	PLUNGER SET FOR PRESSURE SW ITC		1		
D10		INC. 157-163				
157	609344830	PLUNGER CAP		1		
158	609260820	O-RING		1		
159	609021650	WASHER		1		
160	609021630	SPRING		1		
161	609022040	PLUNGER FOR PRESSURE SWITC H		1		
162	609600180	O-RING 7.66X1.78		1		
163	609120680	O-RING		1		
164	609344890	PLUG		1		
165	609560870	O-RING		1		
166	609460430	O-RING Ø 4X2,5		1		
167	609901070	CHECK VALVE PISTON		1		
168	609080091	CHECK VALVE PISTON SPRING		1		
169	609800560	O-RING Ø 8,73X1,78		1		
170	609901060	CHECK VALVE BODY		1		
171	609740290	O-RING Ø 14X1,78		1		
172	609900120	NIPPLE FOR DETERGENT		1		
173	609344850	PUMP HEAD BODY		1		
174	609344970	O-RING		1		
175	609500280	EXTENSION		1		
176	609260780	HEX SOCKET BOLT M5X25		1		
177	609344060	COVER		1		
178	609001876	OIL SEAL REPAIR SET		1		
D10		INC. 180,182,195				
180	609040710	O-RING Ø 56X2		1		
181	609880111	KEY		1		
182	609341080	OIL SEAL		1		

183	609111120	RETAINING RING ØI 47		1		
184	609480890	RETAINING RING ØE 17		1		
185	609341070	BEARING		1		
186	609340170	SHAFT		1		
187	609343900	PLUG		1		
189	609880840	O-RING Ø 9,25X1,78		1		
190	609260050	BUSHING		1		
C10	609344050	PUMP BODY		1		
192	609340060	CONNECTING-ROD		3		
193	609340080	PIN		3		
194	609340070	PIN		3		
195	609260460	OIL SEAL		3		
196	609002623	PISTON repair KIT		1		
D10		INC. 197,199,200				
197	609600180	O-RING 7.66X1.78		3		
198	609341010	PLATE		3		
199	609342740	PISTON Ø 15		3		
200	609341020	WASHER 6X10X1		3		
201	609850670	SCREW TCEI M6X35		3		
202	609042567	WATER SEAL KIT		1		
D10		INC. 203,204,206,207				
203	609460180	WATER SEAL		3		
204	609770260	O-RING Ø 23,52X1,78		3		
205	609344750	PISTON GUIDE		3		
206	609260440	WATER SEAL C1		3		
207	609344760	OIL SEAL		3		

Please state Parts No. when your order.

Print Date 01/03/2024