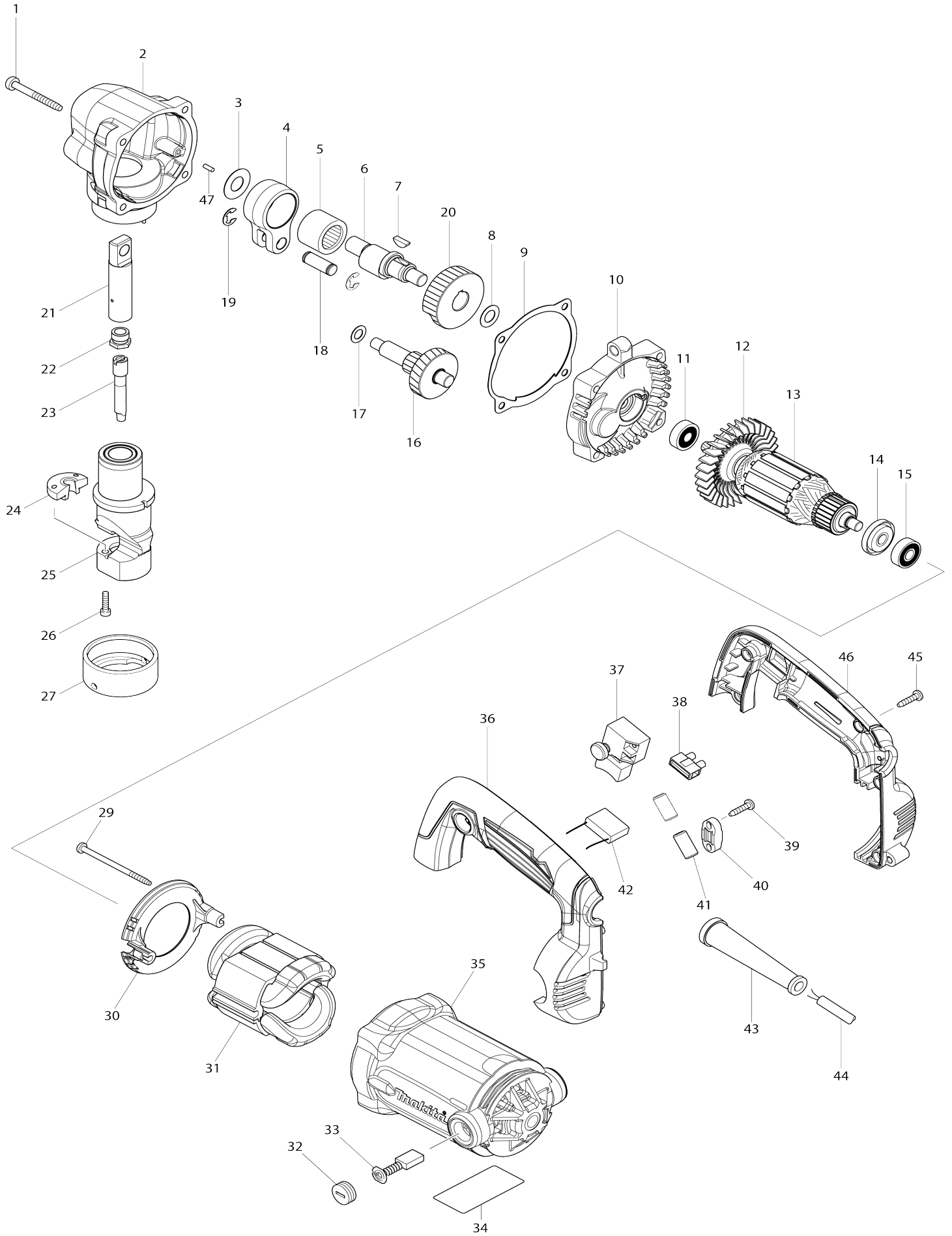


Model No. JN3201 3.2MM NIBBLER



Model No.JN3201 3.2MM NIBBLER

Item No.	Parts No.	Description	Interchangability	Q'ty	New/Old	Note1	Note2
001	266056-5	TAPPING SCREW 5X45		4			
002	141797-3	GEAR HOUSING COMPLETE		1			
C10	800S41-8	INDICATION LABEL		1			
003	253759-0	FLAT WASHER 12		1			
004	331167-6	ROD		1			
005	212306-6	NEEDLE BEARING 2020		1			
006	321408-8	CRANK SHAFT		1			
007	254001-2	WOODRUFF KEY 4		1			
008	253758-2	FLAT WASHER 10		1			
009	442186-8	GASKET		1	*		
009-1	442186-8	GASKET	O	1			
010	141796-5	GEAR HOUSING COVER COMPLETE		1			
C10	263002-9	RUBBER PIN 4		1			
011	211031-6	BALL BEARING 608LLB		1			
012	240094-5	FAN 70		1			
013	513859-1	ARMATURE ASS'Y 240V		1			
D10		INC. 11,12,14,15					
014	681644-1	INSULATION WASHER		1			
015	210029-0	BALL BEARING 608ZZ		1			
016	226060-6	GEAR COMPLETE 15-46		1			
017	253215-0	FLAT WASHER 8		1			
018	321418-5	PIN 9		1			
019	961013-5	STOP RING E-7		2			
020	221880-3	SPUR GEAR 44		1			
021	152486-5	PUNCH HOLDER COMPLETE		1			
022	321406-2	SCREW		1			
023	792728-1	PUNCH		1			
024	792292-2	DIE		1			
025	152176-0	DICE HOLDER COMPLETE		1			
026	922127-5	HEX. SOCKET HEAD BOLT M4X16		2			
027	321415-1	LOCK NUT		1			
029	266340-8	TAPPING SCREW 4X65		2			
030	454140-0	BAFFLE PLATE		1			
031	525869-6	FIELD ASS'Y 240V		1			
C10	654020-2	RING TERMINAL		2			
C20	654501-6	CONNECTOR P-1.25		2			
032	643750-0	BRUSH HOLDER CAP 7-11		2	*		
032-1	643515-0	HOLDER CAP 7-11	O	2			
033	191963-2	CARBON BRUSH CB-303		1	*		
033-1	194996-6	CARBON BRUSH SET CB-303	O	1			
034	814C94-5	JN3201 NAME PLATE		1			
035	158278-0	MOTOR HOUSING COMPLETE		1			
C10	643708-9	BRUSH HOLDER 5-11		2			
036	187532-5	HANDLE SET		1			
D10		INC. 46					
037	651284-9	SWITCH SGEL115CDY-6		1			
038	654532-5	TERMINAL BLOCK 1P		1			

039	266326-2	TAPPING SCREW 4X18		2		
040	687052-4	STRAIN RELIEF		1		
041	688172-7	LINE FILTER		2		
042	645200-1	NOISE SUPPRESSOR		1		
043	682540-6	CORD GUARD 9.3-90		1	*	
043-1	682505-8	CORD GUARD 10-90	O	1		
044	665890-4	POWER SUPPLY CORD 1.0-2-4.0		1		
045	266326-2	TAPPING SCREW 4X18		5		
046	187532-5	HANDLE SET		1		
D10		INC. 36				
047	256255-7	PIN 3		1		
A01	341796-7	WASHER		2		
A02	781019-5	WRENCH 50		1		
A03	783201-2	HEX. WRENCH 3		1		
A04	821550-0	CONNECTOR PLASTIC CASE (TYP E2)		1	*	
C10	453974-8	LATCH		4	*	
A04-1	821550-0	CONNECTOR PLASTIC CASE (TYP E2)	<	1		
C10	453974-8	LATCH		4		
A05	837630-2	INNER TRAY		1		
A06	800V77-5	JN3201J PLASTIC CASE LABEL		2		
A07	800V76-7	JN3201J INDICATION LABEL		1		

Please state Parts No. when your order.

Print Date 01/29/2024