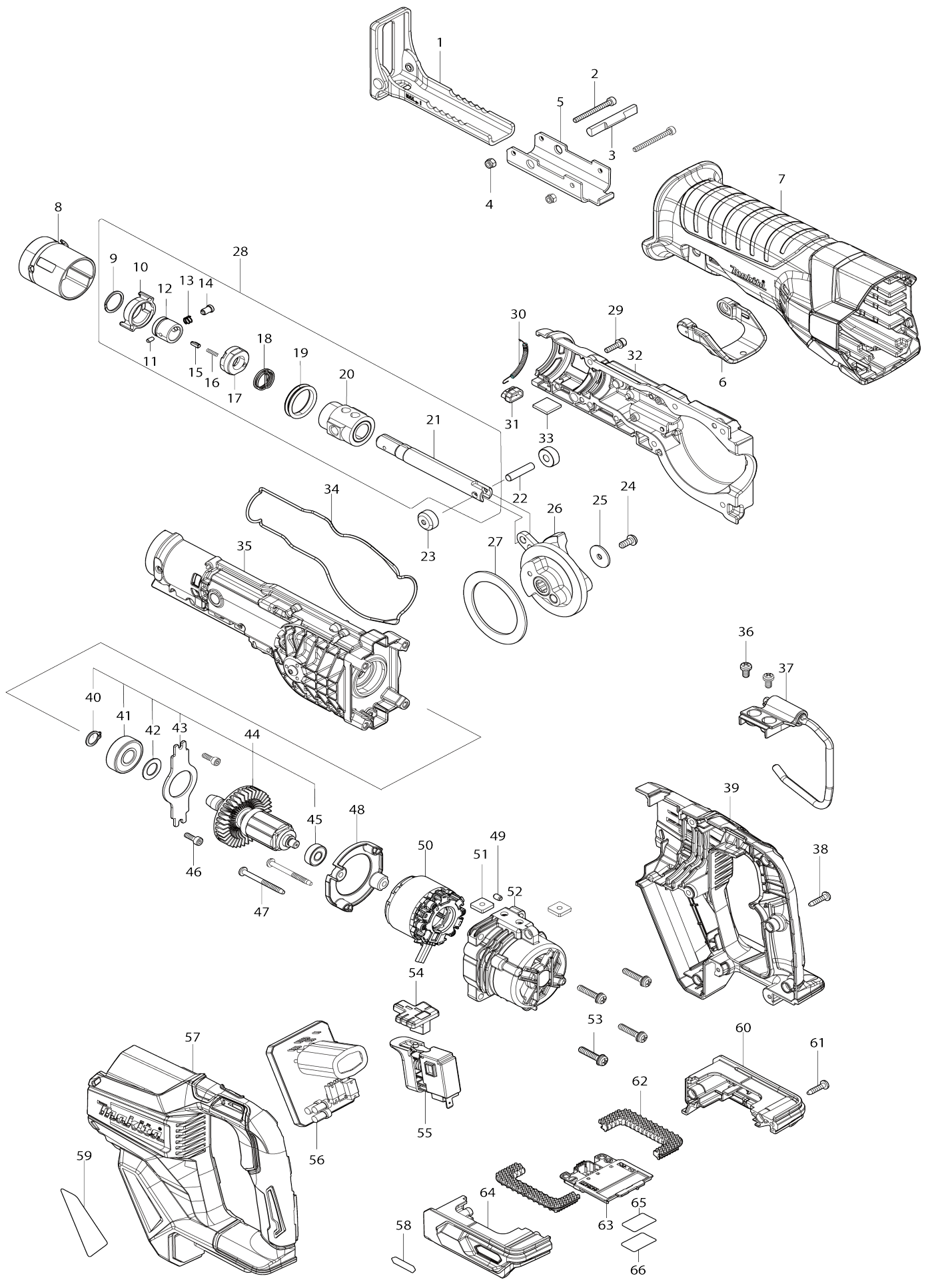


Model No. JR001G CORDLESS RECIPRO SAW



Model No.JR001G CORDLESS RECIPRO SAW

Item No.	Parts No.	Description	Interchangeability	Q'ty	New/Old	Note1	Note2
001	162739-4	SHOE		1			
002	265A78-8	HEX SOCKET HEAD BOLT M4X40		2			
003	326599-0	LOCK PIN		1			
004	252126-6	HEX. LOCK NUT M4-7		2			
005	347637-5	SHOE GUIDE PLATE		1			
006	459924-1	LOCK LEVER		1			
007	422542-8	INSULATION COVER		1			
008	459923-3	RELEASE DRUM		1	*		
008-1	413P68-7	RELEASE DRUM	S	1			
009	257430-8	RETAINING RING(EXT)18		1			
010	310848-5	DRIVING SLEEVE		1			
011	268094-3	PIN 3		1			
012	327043-0	GUIDE SLEEVE		1	*		
012-1	327650-9	GUIDE SLEEVE	S	1			
013	234381-2	COMPRESSION SPRING 6		1			
014	256569-4	SHOULDER PIN 5		1			
015	310912-2	PUSH PIN		1			
016	232472-3	COMPRESSION SPRING 2		1			
017	458968-8	CONNECTING SLEEVE		1			
018	233594-2	TORSION SPRING 17		1			
019	422309-4	RUBBER RING 25		1			
020	140P52-6	SLIDER GUIDE COMPLETE		1			
C10	213174-0	X RING 14		1			
021	327154-1	SLIDER		1	*		
021-1	327652-5	SLIDER	S	1			
022	256945-2	PIN 6		1			
023	310991-0	ROLLER		2			
024	265374-8	H.S. BUTTON HEAD SCREW M5X12		1			
025	253462-3	FLAT WASHER 5		1			
026	140P53-4	GEAR COMPLETE		1			
027	253463-1	FLAT WASHER 51		1			
028	136224-3	SLIDER ASSY		1			
D10		INC. 9-21					
029	922128-3	HEX. SOCKET HEAD BOLT M4X16		6			
030	232583-4	TENSION SPRING 3		1			
031	620C32-5	LED CIRCUIT		1			
032	140P51-8	GEAR HOUSING R COMPLETE		1	*		
032-1	140W37-4	GEAR HOUSING R COMPLETE	S	1	*		
032-2	141G35-5	GEAR HOUSING R COMPLETE	S	1	*		
032-3	141N96-7	GEAR HOUSING R COMPLETE	S	1			
033	424858-7	FELT 16X16		1			
034	422541-0	SEAL RING		1			
035	140P50-0	GEAR HOUSING L COMPLETE		1	*		
035-1	140W36-6	GEAR HOUSING L COMPLETE	S	1	*		
035-2	141G34-7	GEAR HOUSING L COMPLETE	S	1	*		
035-3	141N95-9	GEAR HOUSING L COMPLETE	S	1			
036	911206-4	PAN HEAD SCREW M5X10		2			

037	127468-6	HOOK ASSEMBLY		1	*		
037-1	122F82-9	HOOK ASSEMBLY	S	1			
038	266326-2	TAPPING SCREW 4X18		6			
039	183N57-1	HANDLE SET		1			
D10		INC. 57					
040	961052-5	RETAINING RING (EXT) S-12		1			
041	211129-9	BALL BEARING 6201DDW		1			
042	253744-3	FLAT WASHER 12		1			
043	285038-8	BEARING RETAINER 80		1			
044	510447-5	ROTOR ASSY		1			
D10		INC. 40-43,45					
045	210062-2	BALL BEARING 607ZZ		1			
046	922117-8	HEX. SOCKET HEAD BOLT M4X12		2			
047	266425-0	TAPPING SCREW 4X45		2			
048	456178-1	BAFFLE PLATE		1			
049	263002-9	RUBBER PIN 4		1			
050	629470-0	STATOR		1			
051	264002-2	SQUARE NUT M5		2			
052	412476-3	MOTOR HOUSING		1			
053	911243-8	PAN HEAD SCREW M5X25		4			
054	456177-3	CHANGE BUTTON		1			
055	651439-6	SWITCH C3JR-4B-2		1			
056	620C31-7	CONTROLLER		1			
057	183N57-1	HANDLE SET		1			
D10		INC. 39					
058	8005T5-8	XGT LOGO LABEL		1			
059	856P39-5	JR001G NAME PLATE		1			
060	183N58-9	BATTERY HOUSING SET		1			
C10	263005-3	RUBBER PIN 6		2			
D10		INC. 64					
061	266326-2	TAPPING SCREW 4X18		2			
062	422543-6	CUSHION RUBBER		2			
063	632P49-4	TERMINAL UNIT		1	*		
063-1	632P75-3	TERMINAL UNIT	<	1	*		
063-2	632P49-4	TERMINAL UNIT	S	1			
064	183N58-9	BATTERY HOUSING SET		1			
C10	263005-3	RUBBER PIN 6		2			
D10		INC. 60					
065	856P46-8	JR001G SERIAL NO. LABEL		1			
066	8008P3-2	CLEAR LABEL		1	*		
067	232746-2	RING SPRING 39	S	2			
A01	B-05038	RECIPRO SAW BLADE FOR METAL		1			
A02	B-05044	RECIPRO SAW BLADE FOR PLYWOOD		1			
A03	B-05153	RECIPRO SAW BLADE FOR WOOD		1			
A04	821796-8	PLASTIC CASE		1			
C10	162271-8	LATCH		2			
A05	***DC40RA	DC40RA FAST CHARGER		1			
D10		COMPO-PARTS					
A06	412393-7	BATTERY COVER		1			
A07	191B36-3	BATTERY BL4025 SET		2			

A07	191B26-6	BATTERY BL4040 SET		2		
-----	----------	--------------------	--	---	--	--

Please state Parts No. when your order.

Print Date 03/14/2024