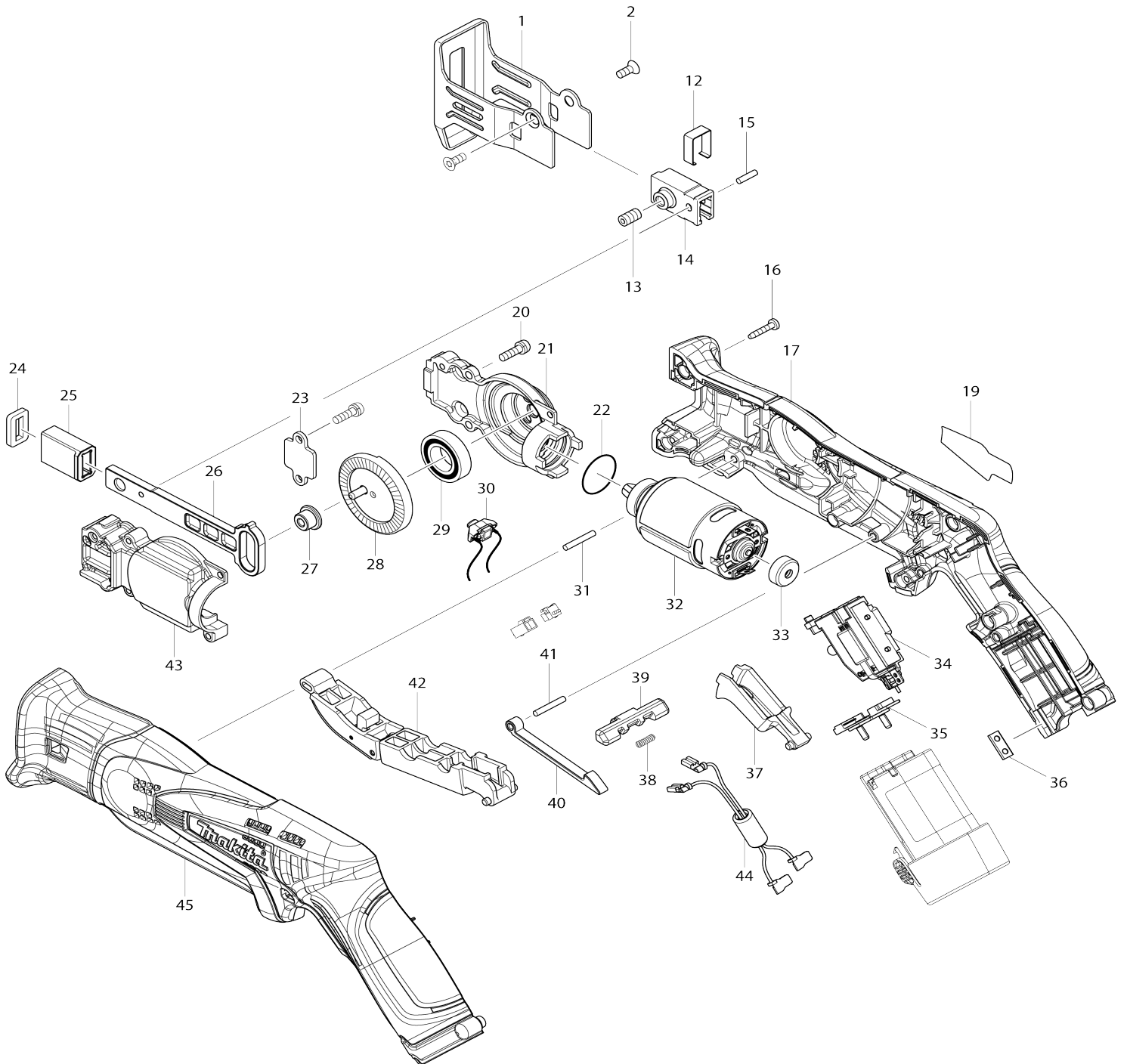


Model No. JR102D CORDLESS RECIPRO SAW



Model No.JR102D CORDLESS RECIPRO SAW

Item No.	Parts No.	Description	Interchangeability	Q'ty	New/Old	Note1	Note2
001	346524-5	SHOE		1			
002	265035-0	COUNTERSUNK HEAD SCREW M4 X10		2			
012	346526-1	CLAMPER		1			
013	251961-9	H.S.SET SCREW(FLAT POINT)M6X 10		1			
014	310497-8	BLADE CLAMP		1	*		
014-1	310978-2	BLADE CLAMP	<	1			
015	256157-7	PIN 3		1			
016	266429-2	TAPPING SCREW 3X16		8			
017	187273-3	HOUSING SET		1			
D10		INC. 45					
019	896385-8	JR102D NAME PLATE		1			
020	266747-8	PAN HEAD SCREW M4X14 WITH WM		5			
021	318805-7	GEAR HOUSING		1			
022	213961-7	O RING 22		1			
023	346525-3	PLATE		1			
024	423424-7	SPONGE SEAL		1			
025	313220-0	SLIDER GUIDE		1			
026	313222-6	SLIDER N		1	*		
026-1	313250-1	SLIDER N	S	1			
027	326112-4	COLLARED SLEEVE 4		1			
028	141127-8	GEAR COMPLETE		1			
029	211242-3	BALL BEARING 6902ZZ		1			
030	620028-8	LED CIRCUIT		1			
031	256158-5	PIN 3		1			
032	629914-0	DC MOTOR		1			
033	424467-2	CAP		1			
034	650666-2	SWITCH C3HW-3A-PEM		1			
035	643830-2	TERMINAL		1			
036	345998-7	SET PLATE		1			
037	453072-8	SWITCH LEVER R		1			
038	233438-6	COMPRESSION SPRING 4		1			
039	453070-2	LOCK OFF LEVER R		1			
040	313219-5	LINK		1			
041	256158-5	PIN 3		1			
042	141128-6	SWITCH LEVER F COMPLETE		1			
043	318806-5	GEAR HOUSING COVER		1			
044	638932-7	LINE FILTER UNIT		1			
C10	654069-2	RECEPTACLE		2			
045	187273-3	HOUSING SET		1			
D10		INC. 17					
046	234258-1	COMPRESSION SPRING 7	S	1			
A01	783201-2	HEX. WRENCH 3		1			
A02	A-85709	JIGSAW BLADE NO.B18		1			
A03	A-85759	JIGSAW BLADE NO.B24		1			
A04	A-85628	JIGSAW BLADE NO.B10		1			

A02	***DC10WA	DC10WA BATTERY CHARGER		1		
A03	194550-6	BATTERY BL1013 SET		2	*	
A03-1	196066-7	BATTERY BL1013 SET	O	2		
A04	824993-5	PLASTIC CARRYING CASE		1		
C10	162315-4	LATCH		2		
C20	452137-3	HANDLE		1		
A05	890231-7	JR102DWE PLASTIC CASE LABEL		2		
A06	A-85709	JIGSAW BLADE NO.B18		1		
A07	A-85759	JIGSAW BLADE NO.B24		1		
A08	A-85628	JIGSAW BLADE NO.B10		1		
A05	***DC10WA	DC10WA BATTERY CHARGER		1		
A06	194550-6	BATTERY BL1013 SET		2	*	
A06-1	196066-7	BATTERY BL1013 SET	O	2		
A07	821549-5	CONNECTOR PLASTIC CASE (TYP E1)		1	*	
C10	453974-8	LATCH		4	*	
A07-1	821549-5	CONNECTOR PLASTIC CASE (TYP E1)	<	1		
C10	453974-8	LATCH		4		
A08	837664-5	INNER TRAY		1		
A09	800Y04-0	JR102DWJ INDICATION LABEL		1		
A10	800Y05-8	JR102DWJ PLASTIC CASE LABEL		2		
A09	803L34-2	JR102DZJ INDICATION LABEL		1		
A10	803L35-0	JR102DZJ PLASTIC CASE LABEL		2		

Please state Parts No. when your order.

Print Date 25.10.2023