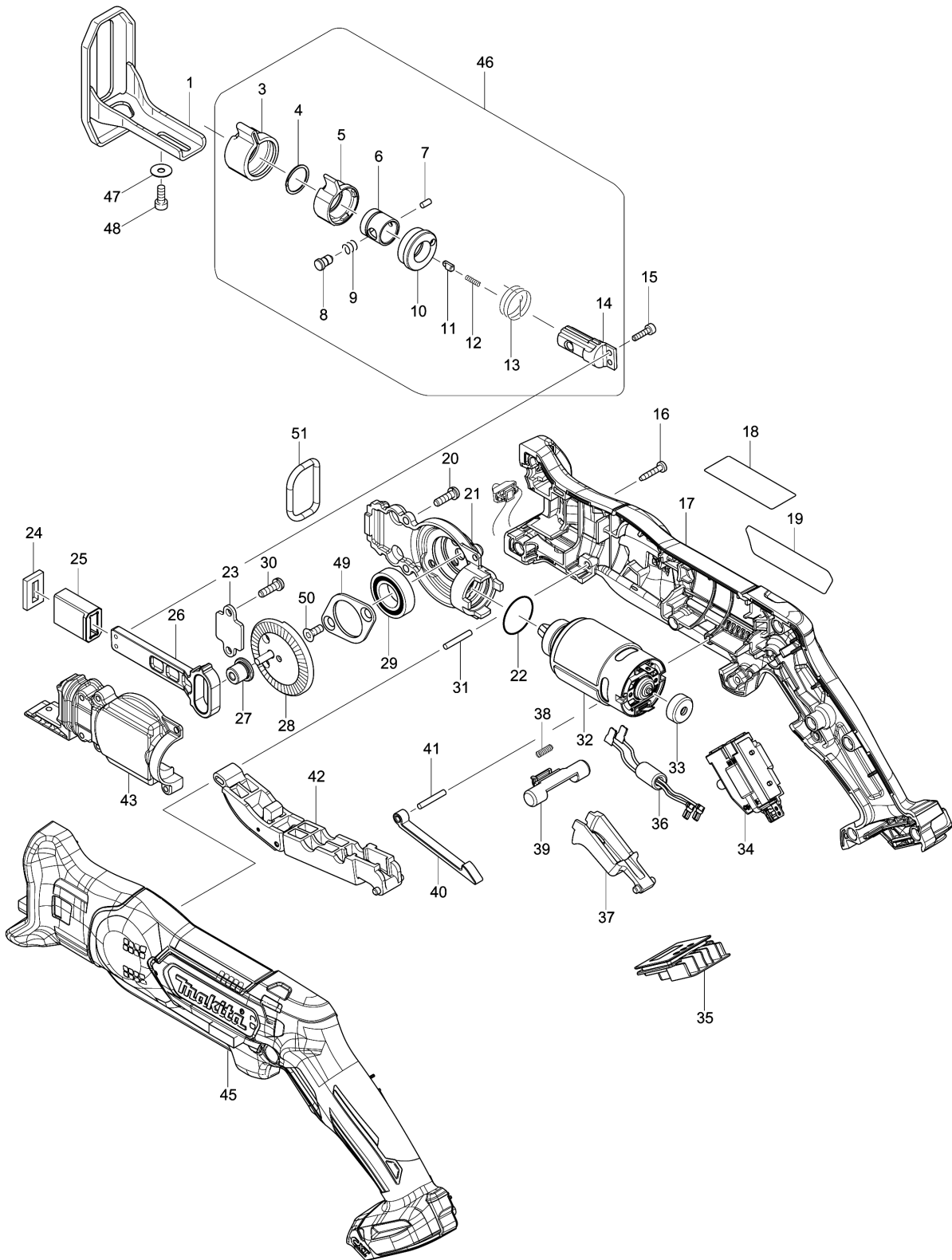


Model No. JR103D CORDLESS RECIPRO SAW



Model No.JR103D CORDLESS RECIPRO SAW

Item	Parts No.	Description	I/C	Qty	New/Old	Opt. 1	Opt. 2	Note
001	165740-8	SHOE		1				
003	424466-4	PROTECTOR		1				
004	257981-1	RETAINING RING (EXT)16		1				
005	310496-0	DRIVING SLEEVE		1				
006	331963-2	GUIDE SLEEVE		1				
007	268094-3	PIN 3		1				
008	256492-3	SHOULDER PIN 5		1				
009	233345-3	COMPRESSION SPRING 6		1				
010	453071-0	CONNECTING SLEEVE		1				
011	310495-2	PUSH PIN		1	*			
011-1	310859-0	PUSH PIN	O	1	*			
011-2	310912-2	PUSH PIN	S	1				
012	233025-1	COMPRESSION SPRING 2		1	*			
012-1	232472-3	COMPRESSION SPRING 2	S	1				
013	233594-2	TORSION SPRING 17		1				
014	326113-2	BLADE GUIDE		1				
015	265910-0	HEX. SOCKET HEAD BOLT M3X12		2	*			
015-1	265D80-9	HEX. SOCKET HEAD BOLT M3X10	<	2				
016	266429-2	TAPPING SCREW 3X16		10				
017	183C31-3	HOUSING SET		1				
C10	263002-9	RUBBER PIN 4		3				
D10		INC. 45						
019	851H90-2	JR103D NAME PLATE		1	*			
019-1	851H89-7	JR103D NAME PLATE	<	1				
020	266747-8	PAN HEAD SCREW M4X14 WITH WM		3				
021	319060-4	GEAR HOUSING		1				
022	213961-7	O RING 22		1				
023	346525-3	PLATE		1				
024	443185-3	FELT SEAL		1				
025	313220-0	SLIDER GUIDE		1				
026	313271-3	SLIDER		1				
027	313270-5	COLLARED SLEEVE 4		1				
028	142284-5	GEAR COMPLETE		1				
029	211242-3	BALL BEARING 6902ZZ		1	*			
029-1	210294-1	BALL BEARING 6902ZZ	O	1				
030	266747-8	PAN HEAD SCREW M4X14 WITH WM		2				
031	256158-5	PIN 3		1				
032	629165-5	DC MOTOR		1				
033	424467-2	CAP		1				
034	632F46-0	SWITCH UNIT		1				
C10	620447-8	LED CIRCUIT		1				
035	644813-5	TERMINAL		1				
036	632F66-4	LINE FILTER UNIT		1				
037	453072-8	SWITCH LEVER R		1				

Please order the parts with part number.

Print Date 16/2/2024

Model No.JR103D CORDLESS RECIPRO SAW

Item	Parts No.	Description	I/C	Qty	New/Old	Opt. 1	Opt. 2	Note
038	233438-6	COMPRESSION SPRING 4		1				
039	454661-2	LOCK OFF LEVER R		1				
040	313219-5	LINK		1				
041	256158-5	PIN 3		1				
042	141128-6	SWITCH LEVER F COMPLETE		1				
043	319061-2	GEAR HOUSING COVER		1				
045	183C31-3	HOUSING SET		1				
C10	263002-9	RUBBER PIN 4		3				
D10		INC. 17						
046	126201-3	BLADE CLAMP ASSEMBLY		1				
D10		INC. 3-14						
047	253874-0	FLAT WASHER 4		1				
048	922112-8	HEX. SOCKET HEAD BOLT M4X10		1				
049	285738-0	BEARING RETAINER 36		1				
050	265035-0	COUNTERSUNK HEAD SCREW M4X10		2				
051	424597-9	RUBBER RING 23		1				
A01	783201-2	HEX. WRENCH 3		1				
A02	B-20432	RECIPROSAW BLADE 100MM		1				
A03	B-20404	RECIPROSAW BLADE 100MM		1				
A04B	838313-7	INNER TRAY		1				
A04C	456128-6	BATTERY COVER		1				
A05B	***DC10SA	DC10SA BATTERY CHARGER		1	*			
D10		COMPO-PARTS			*			
A05C	***DC10SA	DC10SA BATTERY CHARGER		1	*			
D10		COMPO-PARTS			*			
A05-1C	***DC10SB	DC10SB BATTERY CHARGER	O	1				
D10		COMPO-PARTS						
A06B	197390-1	BATTERY BL1015 SET		1	*			
A06C	197402-0	BATTERY BL1040B SET		2	*			
A06-1B	197393-5	BATTERY BL1016 SET	O	1				
A06-1C	197406-2	BATTERY BL1041B SET	O	2	*			
A06-2C	197406-2	BATTERY BL1041B SET	O	2				
A07B	821549-5	CONNECTOR PLASTIC CASE (TYPE1)		1				
C10	453974-8	LATCH		4				
A07C	821549-5	CONNECTOR PLASTIC CASE (TYPE1)		1				
C10	453974-8	LATCH		4				
A08B	807L39-4	JR103DY1J INDICATION LABEL		1				
A08C	807L45-9	JR103DSMJ INDICATION LABEL		1				
A09B	807L40-9	JR103DY1J PLASTIC CASE LABEL		2				
A09C	807L46-7	JR103DSMJ PLASTIC CASE LABEL		2				
A10C	838313-7	INNER TRAY		1				
F01	197390-1	BATTERY BL1015 SET		1				

Please order the parts with part number.

Print Date 16/2/2024

Model No.JR103D CORDLESS RECIPRO SAW

Item	Parts No.	Description	I/C	Qty	New/Old	Opt. 1	Opt. 2	Note
F02	197391-9	BATTERY BL1015 SET		1				
F03	197393-5	BATTERY BL1016 SET		1				
F24	198968-3	BATTERY BL1016 SET		1	*			
F25	198969-1	BATTERY BL1016 SET (2PIECES)		1	*			
F26-1	198970-6	BATTERY BL1021B SET (2PIECES)	O	1	*			
F27-1	199002-2	BATTERY BL1041B SET (2PIECES)	O	1	*			

Please order the parts with part number.

Print Date 16/2/2024