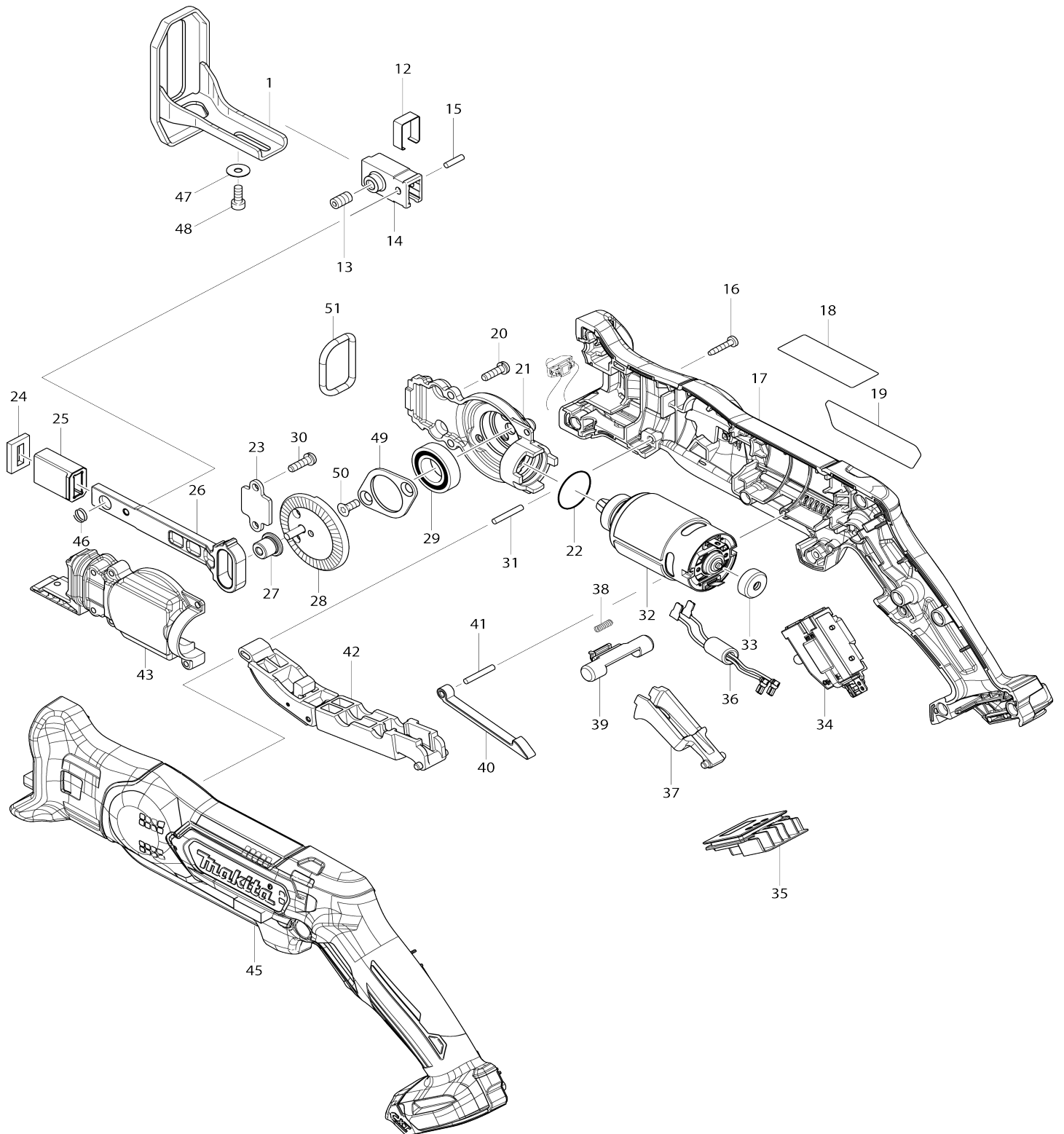


# Model No. JR105D CORDLESS RECIPRO SAW



# Model No.JR105D CORDLESS RECIPRO SAW

Item No.	Parts No.	Description	Interchangability	Q'ty	New/Old	Note1	Note2
001	165740-8	SHOE		1			
012	346526-1	CLAMPER		1			
013	251961-9	H.S.SET SCREW(FLAT POINT)M6X10		1			
014	310497-8	BLADE CLAMP		1	*		
014-1	310978-2	BLADE CLAMP	<	1			
015	256157-7	PIN 3		1			
016	266429-2	TAPPING SCREW 3X16		10			
017	183C31-3	HOUSING SET		1			
C10	263002-9	RUBBER PIN 4		3			
D10		INC. 45					
019	851J07-7	JR105D NAME PLATE		1	*		
019-1	851J06-9	JR105D NAME PLATE	<	1			
020	266747-8	PAN HEAD SCREW M4X14 WITH WM		3			
021	319060-4	GEAR HOUSING		1			
022	213961-7	O RING 22		1			
023	346525-3	PLATE		1			
024	443185-3	FELT SEAL		1			
025	313220-0	SLIDER GUIDE		1			
026	313269-0	SLIDER N		1			
027	313270-5	COLLARED SLEEVE 4		1			
028	142284-5	GEAR COMPLETE		1			
029	211242-3	BALL BEARING 6902ZZ		1	*		
029-1	210294-1	BALL BEARING 6902ZZ	O	1			
030	266747-8	PAN HEAD SCREW M4X14 WITH WM		2			
031	256158-5	PIN 3		1			
032	629165-5	DC MOTOR		1			
033	424467-2	CAP		1			
034	632F46-0	SWITCH UNIT		1			
C10	620447-8	LED CIRCUIT		1			
035	644813-5	TERMINAL		1			
036	632F66-4	LINE FILTER UNIT		1			
037	453072-8	SWITCH LEVER R		1			
038	233438-6	COMPRESSION SPRING 4		1			
039	454661-2	LOCK OFF LEVER R		1			
040	313219-5	LINK		1			
041	256158-5	PIN 3		1			
042	141128-6	SWITCH LEVER F COMPLETE		1			
043	319061-2	GEAR HOUSING COVER		1			
045	183C31-3	HOUSING SET		1			
C10	263002-9	RUBBER PIN 4		3			
D10		INC. 17					
046	234258-1	COMPRESSION SPRING 7		1			
047	253874-0	FLAT WASHER 4		1			
048	922112-8	HEX. SOCKET HEAD BOLT M4X10		1			
049	285738-0	BEARING RETAINER 36		1			

050	265035-0	COUNTERSUNK HEAD SCREW M4 X10		2		
051	424597-9	RUBBER RING 23		1		
A01	783201-2	HEX. WRENCH 3		1		
A02	B-20432	RECIPROSAW BLADE 100MM		1		
A03	B-20404	RECIPROSAW BLADE 100MM		1		
F01	197390-1	BATTERY BL1015 SET		1		
F02	197391-9	BATTERY BL1015 SET		1		
F03	197393-5	BATTERY BL1016 SET		1		
F08	198968-3	BATTERY BL1016 SET		1		
F09	198969-1	BATTERY BL1016 SET (2PIECES)		1		
F10-1	198970-6	BATTERY BL1021B SET (2PIECES)	O	1		
F11-1	199002-2	BATTERY BL1041B SET (2PIECES)	O	1		
A04	456128-6	BATTERY COVER		1		
A05	***DC10SA	DC10SA BATTERY CHARGER		1	*	
D10		COMPO-PARTS				
A05-1	***DC10SB	DC10SB BATTERY CHARGER	<	1		
D10		COMPO-PARTS				
A06	197402-0	BATTERY BL1040B SET		2	*	
A06-1	197406-2	BATTERY BL1041B SET	<	2	*	
A06-2	197406-2	BATTERY BL1041B SET	O	2		
A07	821549-5	CONNECTOR PLASTIC CASE (TYP E1)		1		
C10	453974-8	LATCH		4		
A08	807L77-6	JR105DSMJ INDICATION LABEL		1		
A09	807L78-4	JR105DSMJ PLASTIC CASE LABEL		2		
A10	838313-7	INNER TRAY		1		

Please state Parts No. when your order.

Print Date 27.10.2023