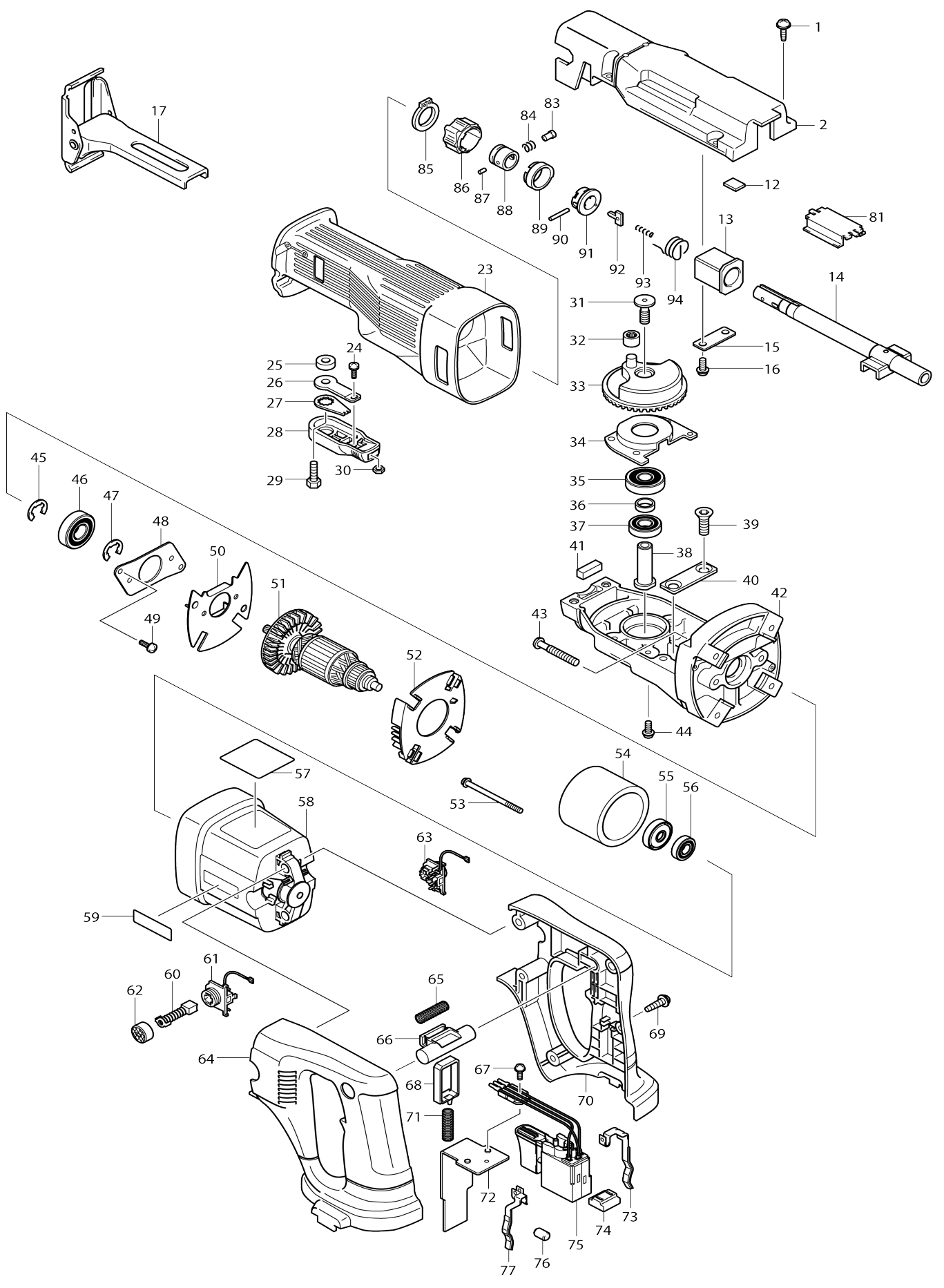


Model No. JR180D CORDLESS RECIPRO SAW



Model No. JR180D CORDLESS RECIPRO SAW

Item No.	Parts No.	Description	Interchangeability	Q'ty	New/Old	Note1	Note2
001	911228-4	PAN HEAD SCREW M5X18		4			
002	151627-0	GEAR HOUSING COVER COMPLETE		1	*		
002-1	151941-4	GEAR HOUSING COVER COMPLETE	X	1			
003	216002-8	STEEL BALL 4.8		1	*		
004	256454-1	PIN 5.5-6		1	*		
005	310088-5	CLAMP		1	*		
005-1	310138-6	CLAMP	<	1	*		
006-1	266247-8	TORX SOCKET HEAD BOLT M5X10		1	*		
006-2	266272-9	TORX. S.H. SHOULDER BOLT M5X10	X	1	*		
007	162215-8	PUSH BUTTON		1	*		
008	323916-5	PUSH PIN		1	*		
009	233018-8	COMPRESSION SPRING 3		1	*		
010	233247-3	COMPRESSION SPRING 16		1	*		
011	257226-7	RING 13		1	*		
012	443070-0	PLATE 12X16		2			
013	214169-6	PLANE BEARING 14		2			
014	168328-3	SLIDER		1	*		
014-1	168376-2	SLIDER	S	1			
015	341462-6	PLATE		2			
016	911225-0	PAN HEAD SCREW M5X16		4			
017A_	168337-2	SHOE		1	*		
017A1	163441-2	SHOE	X	1			
023	421693-4	INSULATION COVER		1			
024	911114-9	PAN HEAD SCREW M4X10		1			
025	257558-2	SLEEVE 9		1			
026	344732-2	INNER PLATE		1			
027	344733-0	LOCK PLATE		1			
028	272240-2	LEVER 60		1			
029	921442-4	HEX. BOLT M8X25		1			
030	931102-0	HEX. NUT M4		1			
031-1	266220-8	TORX SOCKET HEAD BOLT M6X15		1			
032	212001-8	NEEDLE BEARING 708		1			
033	153267-0	GEAR COMPLETE		1			
034	285696-0	BEARING RETAINER A		1			
035	211061-7	BALL BEARING 6000LLB		1			
036	257146-5	RING 10		1			
037	210057-5	BALL BEARING 6900LLB		1	*		
037-1	210079-5	BALL BEARING 6900LLB	O	1			
038	323887-6	GEAR SHAFT		1			
039	251969-3	HEX. SOCKET HEAD BOLT M5X12		2			
040	344795-8	PLATE C		1			
041	443107-3	FELT 8X24		1			
042	317229-4	GEAR HOUSING		1			
043	266012-5	TAPPING SCREW 5X35		4	*		

043-1	266373-3	TAPPING SCREW 5X35	O	4	*		
043-2	265B72-6	TAPPING SCREW 5X35	O	4			
044	911601-8	PAN HEAD SCREW M5X8		3			
045	961016-9	STOP RING E-10		1			
046	211131-2	BALL BEARING 6001DDW		1			
047	961016-9	STOP RING E-10		1			
048	285697-8	BEARING RETAINER B		1			
049	911516-9	PAN HEAD SCREW M4X12		2			
050	416960-0	FAN GUIDE		1			
051	519051-7	ARMATURE ASS'Y 18V		1			
C10	241869-5	FAN 55		1			
D10		INC. 55,56					
052	416959-5	BAFFLE PLATE		1			
053	266209-6	TAPPING SCREW 4X60		2			
054	632828-4	YOKE UNIT		1			
055	681652-2	INSULATION WASHER		1			
056	210017-7	BALL BEARING 607DDW		1			
057	851734-6	NAME PLATE JR180D		1			
058	416957-9	MOTOR HOUSING		1			
059	819720-3	MAKITA LABEL		2	*		
060	191970-5	CARBON BRUSH CB-429		1	*		
060-1	191976-3	CARBON BRUSH CB-432	<	1	*		
060-2	194435-6	CARBON BRUSH CB-441	<	1	*		
060-3	195022-4	CARBON BRUSH SET CB-441	O	1			
061	643949-7	BRUSH HOLDER R		1			
062	643941-3	BRUSH HOLDER CAP		2			
063	643950-2	BRUSH HOLDER L		1			
064	183141-8	HANDLE SET		1			
D10		INC. 70					
065	231469-9	COMPRESSION SPRING 4		1			
066	416958-7	LOCK-OFF BUTTON		1			
067	911006-2	PAN HEAD SCREW M3X8		1			
068	416976-5	STOPPER		1			
069	265995-6	TAPPING SCREW 4X18		6	*		
069-1	265A48-7	TAPPING SCREW 4X18	O	6			
070	183141-8	HANDLE SET		1			
D10		INC. 64					
071	231469-9	COMPRESSION SPRING 4		1			
072	689090-2	HEAT SINK		1			
073	654195-7	SPRING TERMINAL (PLUS)		1			
074	687085-9	HOLDER		1			
075	651979-4	SWITCH		1	*		
075-1	651979-4	SWITCH	O	1			
076-1	263024-9	RUBBER PIN 4		2			
077	654196-5	SPRING TERMINAL (MINUS)		1			
081	344858-0	SLIDE PLATE		1			
082	267758-6	SPRING WASHER 5		1	*		
083	256471-1	SHOULDER PIN 5		1	*		
083-1	256492-3	SHOULDER PIN 5	<	1			
084	233345-3	COMPRESSION SPRING 6		1			
085	961078-7	RETAINING RING (EXT) S-18		1			
086	162228-9	DRIVING SLEEVE		1			

087	268094-3	PIN 3		1			
088	331639-1	GUIDE SLEEVE		1			
089	417791-0	DRIVING SLEEVE GUIDE		1			
090	256158-5	PIN 3		1			
091	310129-7	SLEEVE		1	*		
091-1	418311-3	SLEEVE	O	1			
092	345214-7	PUSH PLATE		1			
093	233025-1	COMPRESSION SPRING 2		1			
094	231662-5	TORSION SPRING 17		1	*		
094-1	231687-9	TORSION SPRING 17	<	1			
A01A_	792003-5	RECIPRO SAW BLADE SET		1			
A02	414938-7	BATTERY COVER		1			
A03	824565-6	PLASTIC CARRYING CASE		1			
C10	417152-4	LATCH		2			
A04	192827-3	BATTERY 1822 SET		1			
A04A_	192829-9	BATTERY 1833		1			
A04B_	193102-0	BATTERY 1834 SET		1	*		
A04B 1	193102-0	BATTERY 1834 SET	O	1			
A04C_	193061-8	BATTERY 1835 SET		1			

Please state Parts No. when your order.

Print Date 01/19/2024