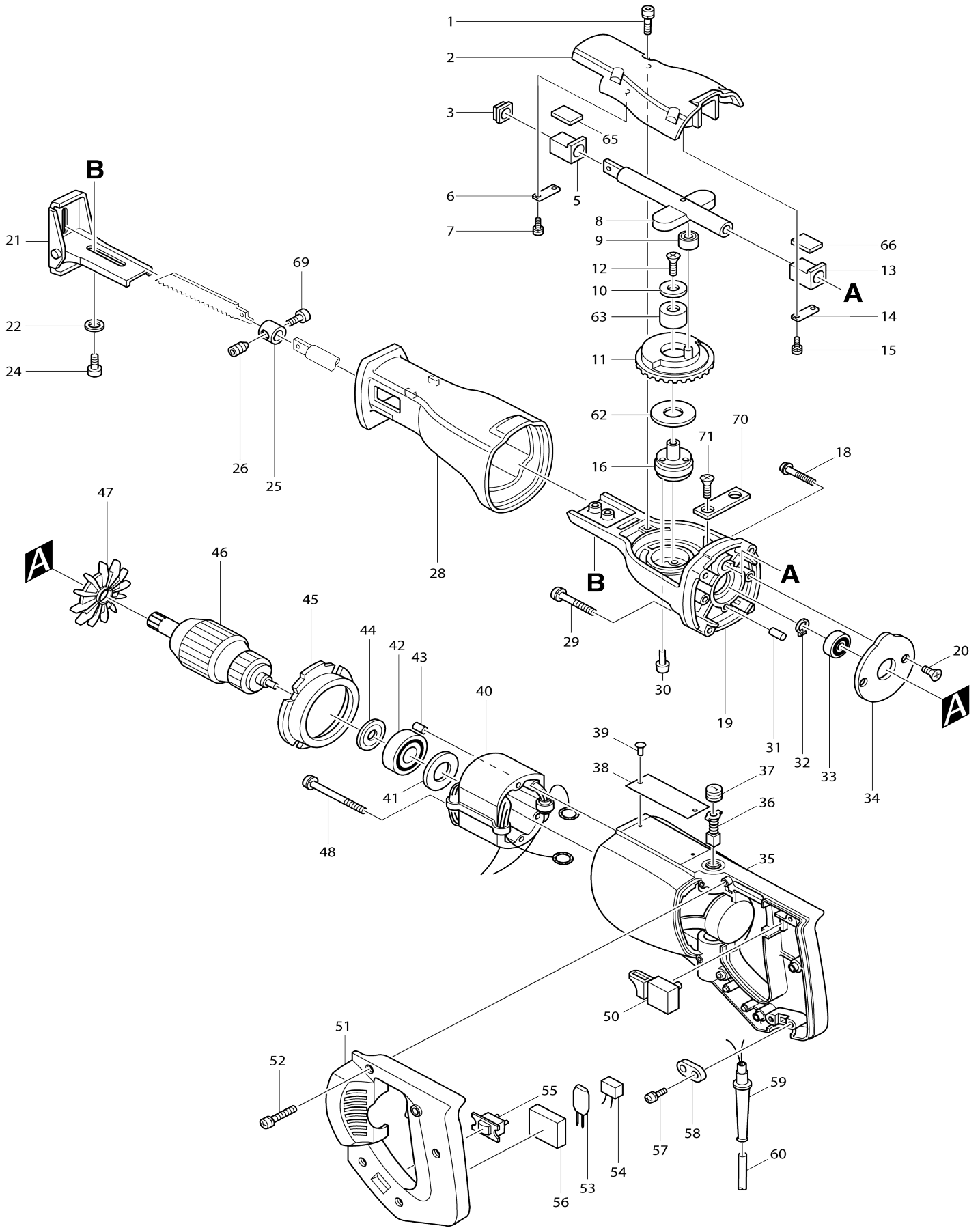


# Model No. JR3000 RECIPRO SAW



# Model No.JR3000 RECIPRO SAW

Item No.	Parts No.	Description	Interchangability	Q'ty	New/Old	Note1	Note2
001	911241-2	PAN HEAD SCREW M5X25		4			
002	315084-8	GEAR HOUSING COVER		1			
003-1	155896-5	SEAL		1			
005-2	214157-3	PLANE BEARING 12.7		1	*		
005-3	214166-2	PLANE BEARING 12.7	X	1	*		
005-4	214167-0	PLANE BEARING 12.7	O	1			
006	341462-6	PLATE		1			
007-1	911225-0	PAN HEAD SCREW M5X16		2			
008-2	163340-8	SLIDER		1	*		
008-3	163357-1	SLIDER	X	1	*		
008-4	163392-9	SLIDER	X	1			
009	212001-8	NEEDLE BEARING 708		1			
010	253816-4	FLAT WASHER 6		1			
011-1	133244-8	GEAR ASS'Y		1			
C20	212115-3	NEEDLE BEARING 1216		1			
012-1	251372-8	+ COUNTERSUNK HEAD SCREW M5X12		1	*		
012-2	251969-3	HEX. SOCKET HEAD BOLT M5X12	O	1			
013-2	214157-3	PLANE BEARING 12.7		1	*		
013-3	214166-2	PLANE BEARING 12.7	X	1	*		
013-4	214167-0	PLANE BEARING 12.7	O	1			
014-1	343526-2	PLATE		1	*		
014-2	341462-6	PLATE	X	1			
015-1	911225-0	PAN HEAD SCREW M5X16		2			
016	321263-8	GEAR SHAFT		1			
018	911251-9	PAN HEAD SCREW M5X30		2			
019-1	157012-5	GEAR HOUSING		1	*		
019-2	159679-5	GEAR HOUSING COMPLETE	O	1	*		
019-3	159718-1	GEAR HOUSING COMPLETE	X	1			
020	912122-3	COUNTERSUNK HEAD SCREW M4 X14		2			
021-2	163258-3	SHOE		1			
C10	344095-6	SHOE PLATE		1			
022	941101-4	FLAT WASHER 5		2			
024-1	922216-6	H.S.H.BOLT M5X14 WITH W		2			
025-2	322502-9	BLADE CLAMP		1	*		
025-3	313067-2	BLADE CLAMP	X	1	*		
025-4	313075-3	BLADE CLAMP	X	1			
026-1	265836-6	HEX.SOCKET SET SCREW(HOLE)M 8X9		1			
028-1	421326-1	INSULATION COVER		1			
029	911256-9	PAN HEAD SCREW M5X35		2			
030-1	911215-3	PAN HEAD SCREW M5X12		3			
031	263002-9	RUBBER PIN 4		1			
032	961006-2	RETAINING RING S-10		1			
033-1	211087-9	BALL BEARING 6200DDW		1			
034	285650-4	BEARING RETAINER 54		1			
035-1	159087-0	MOTOR HOUSING		1	*		

C10	643556-6	BRUSH HOLDER 5-8		2	*		
D10		INC. 43					
035-2	159087-0	MOTOR HOUSING	S	1			
C10	643556-6	BRUSH HOLDER 5-8		2			
D10		INC. 43					
036B_	181021-2	CARBON BRUSH CB-51		1	*		
036B1	194963-1	CARBON BRUSH SET CB-51	O	1			
037	643550-8	BRUSH HOLDER CAP 5-8		2			
038	815228-5	NAME PLATE JR3000		1			
039	953106-2	RIVET 0-5		2			
040C_	522483-9	FIELD ASS'Y 220V		1			
C10	654018-9	RING TERMINAL		2			
C20	654501-6	CONNECTOR P-1.25		2			
041	253192-6	FLAT WASHER 14		1			
042	211033-2	BALL BEARING 608LB		1			
043-1	263014-2	RUBBER PIN 4		1			
044-1	681613-2	INSULATION WASHER		1			
045	411612-8	BAFFLE PLATE		1			
046C_	512678-2	ARMATURE ASS'Y 220V		1	*		
D10		INC. 42,44,47					
046C1	516063-1	ARMATURE ASS'Y 220V	O	1			
D10		INC. 42,44,47					
047	241631-8	FAN 66		1			
048-1	911280-2	PAN HEAD SCREW M5X55		2			
050H_	651235-2	SWITCH C2M-A1T		1	*		
050H 1	651225-5	SWITCH SGEL215C	S	1			
051-1	414522-8	HANDLE COVER		1			
052	911153-9	PAN HEAD SCREW M4X28		4			
053A_	631011-0	DIODE S3V60ZM-H		1			
054B_	645208-5	NOISE SUPPRESSOR		1			
055A_	651600-5	SWITCH SS106A		1			
056	685718-0	SPONGE SHEET		1			
057-1	911133-5	PAN HEAD SCREW M4X18		2			
058A_	687002-9	STRAIN RELIEF		1			
059	682504-0	CORD GUARD 10-85		1			
060L_	665016-8	POWER SUPPLY CORD 1.00-2-2.5		1			
062	253805-9	FLAT WASHER 18		1			
063	212115-3	NEEDLE BEARING 1216		1			
065	443070-0	PLATE 12X16		1			
066	443070-0	PLATE 12X16		1			
069	265986-7	HEX. SOCKET HEAD BOLT M5X13		1	*		
069-1	266090-5	HEX. SOCKET HEAD BOLT M5X15	X	1			
070	343981-8	PLATE (C)		1			
071	251969-3	HEX. SOCKET HEAD BOLT M5X12		2			
400	792003-5	RECIPRO SAW BLADE SET		1			
403	783202-0	HEX. WRENCH 4		1			
405-1	410048-8	WRENCH HOLDER 3.4		1			
406-6	824539-7	PLASTIC CARRYING CASE		1			
C10	417059-4	LATCH		2			
C20	819143-5	MAKITA LABEL		1			

Please state Parts No. when your order.

Print Date 26.10.2023