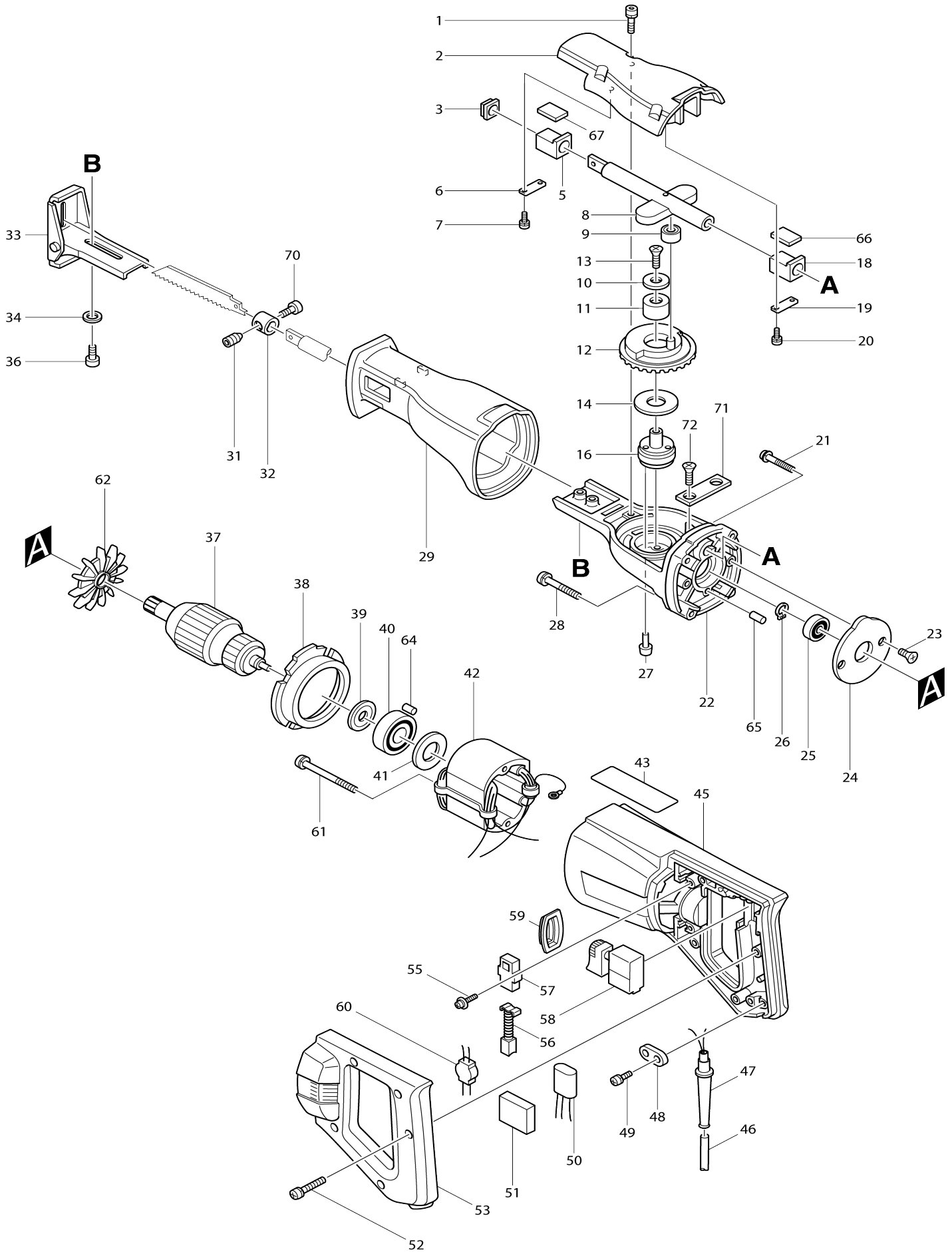


# Model No. JR3000V RECIPRO SAW



Model No.JR3000V RECIPRO SAW

Item No.	Parts No.	Description	Interchangability	Q'ty	New/Old	Note1	Note2
001	911241-2	PAN HEAD SCREW M5X25		4			
002	315084-8	GEAR HOUSING COVER		1			
003-1	155896-5	SEAL		1			
C10	213107-5	O RING 12		1			
005-2	214157-3	PLANE BEARING 12.7		1	*		
005-3	214166-2	PLANE BEARING 12.7	S	1	*		
005-4	214167-0	PLANE BEARING 12.7	O	1			
006	341462-6	PLATE		1			
007-1	911225-0	PAN HEAD SCREW M5X16		2			
008-2	163340-8	SLIDER		1	*		
008-3	163357-1	SLIDER	S	1	*		
008-4	163392-9	SLIDER	S	1			
009	212001-8	NEEDLE BEARING 708		1			
010	253816-4	FLAT WASHER 6		1			
011	212115-3	NEEDLE BEARING 1216		1			
012-1	133244-8	GEAR ASS'Y		1			
D10		INC. 11					
013-1	251372-8	+ COUNTERSUNK HEAD SCREW M5X12		1	*		
013-2	251969-3	HEX. SOCKET HEAD BOLT M5X12	O	1			
014	253805-9	FLAT WASHER 18		1			
016	321263-8	GEAR SHAFT		1			
017	421162-5	SPACE BLOCK		1	*		
018-2	214157-3	PLANE BEARING 12.7		1	*		
018-3	214166-2	PLANE BEARING 12.7	S	1	*		
018-4	214167-0	PLANE BEARING 12.7	O	1			
019-1	343526-2	PLATE		1	*		
019-2	341462-6	PLATE	X	1			
020-1	911225-0	PAN HEAD SCREW M5X16		2			
021	911251-9	PAN HEAD SCREW M5X30		2			
022-1	157012-5	GEAR HOUSING		1	*		
022-2	159679-5	GEAR HOUSING COMPLETE	O	1	*		
022-3	159718-1	GEAR HOUSING COMPLETE	S	1			
023	912122-3	COUNTERSUNK HEAD SCREW M4X14		2	*		
023-1	251295-0	+ COUNTERSUNK HEAD SCREW M4X14	<	2			
024	285650-4	BEARING RETAINER 54		1			
025-1	211087-9	BALL BEARING 6200DDW		1			
026	961006-2	RETAINING RING S-10		1			
027-1	911215-3	PAN HEAD SCREW M5X12		3			
028	911256-9	PAN HEAD SCREW M5X35		2			
029	421154-4	INSULATION COVER		1	*		
029-1	421326-1	INSULATION COVER	O	1			
031-1	265836-6	HEX.SOCKET SET SCREW(HOLE)M8X9		1			
032-2	322502-9	BLADE CLAMP		1	*		
032-3	313067-2	BLADE CLAMP	X	1	*		
032-4	313075-3	BLADE CLAMP	S	1			

033-2	163258-3	SHOE		1		
C10	344095-6	SHOE PLATE		1		
034	941101-4	FLAT WASHER 5		2		
036-1	922216-6	H.S.H.BOLT M5X14 WITH W		2		
037F_	516063-1	ARMATURE ASS'Y 220V		1		
D11		INC. 39,40,62				
038	411612-8	BAFFLE PLATE		1		
039-1	681613-2	INSULATION WASHER		1		
040	211033-2	BALL BEARING 608LB		1		
041	253192-6	FLAT WASHER 14		1		
042F1	528705-5	FIELD ASS'Y 220V		1		
C10	654038-3	INSULATED TERMINAL FT1.25-M 4		2	*	
043	854810-5	NAME PLATE JR3000V		1		
045-1	159482-4	MOTOR HOUSING COMPLETE		1	*	
D10		INC. 64				
045-2	159482-4	MOTOR HOUSING COMPLETE	O	1		
D10		INC. 64				
046W -	665890-4	POWER SUPPLY CORD 1.0-2-4.0		1		
047B_	682516-3	CORD GUARD 9.3-85		1	*	
047B1	682504-0	CORD GUARD 10-85	O	1		
048G_	687063-9	CORD CLAMP		1	*	
048G 1	687052-4	STRAIN RELIEF	X	1		
049-1	911133-5	PAN HEAD SCREW M4X18		2		
050B_	645173-8	NOISE SUPPRESSOR		1		
051	685718-0	SPONGE SHEET		1		
052	911153-9	PAN HEAD SCREW M4X28		4		
053	410068-2	HANDLE COVER		1		
055-1	911124-6	PAN HEAD SCREW M4X14		2		
056	181026-2	CARBON BRUSH CB-55		1	*	
056-1	194964-9	CARBON BRUSH SET CB-55	O	1		
057	643551-6	BRUSH HOLDER 5-8		2		
058G_	651256-4	SWITCH SGEL106CV-1A		1		
059	411852-8	SWITCH COVER		1		
060A_	646325-4	LINE COIL		1		
061-1	911280-2	PAN HEAD SCREW M5X55		2		
062	241631-8	FAN 66		1		
063-1	258018-7	SPRING PIN 2.5-9		1	*	
064	263014-2	RUBBER PIN 4		1		
065	263002-9	RUBBER PIN 4		1		
066	443070-0	PLATE 12X16		1		
067	443070-0	PLATE 12X16		1		
068	256701-0	PIN 3		1	*	
070	265986-7	HEX. SOCKET HEAD BOLT M5X13		1	*	
070-1	266090-5	HEX. SOCKET HEAD BOLT M5X15	S	1		
071	343981-8	PLATE (C)		1		
072	251969-3	HEX. SOCKET HEAD BOLT M5X12		2		
073	819063-3	MAKITA LABEL		2		
400	792003-5	RECIPRO SAW BLADE SET		1		
403	783202-0	HEX. WRENCH 4		1		

404	410048-8	WRENCH HOLDER 3.4		1			
405-6	824539-7	PLASTIC CARRYING CASE		1			
C10	417059-4	LATCH		2			
C20	819143-5	MAKITA LABEL		1			
903	683345-7	VARNISHED POLYESTER TUBE 3-70		1			

Please state Parts No. when your order.

Print Date 26.10.2023