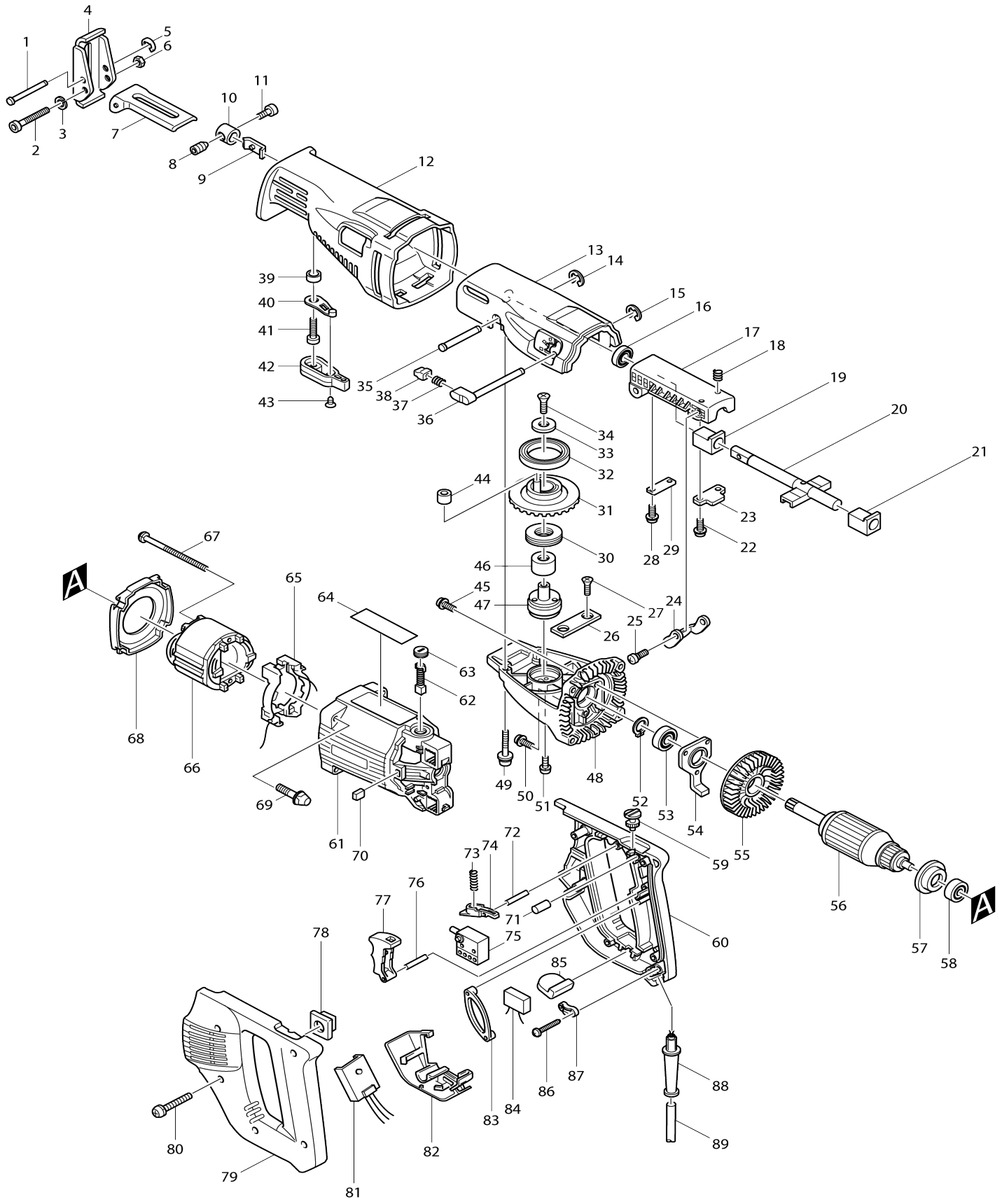


Model No. JR3020 RECIPRO SAW



Model No. JR3020 RECIPRO SAW

Item No.	Parts No.	Description	Interchangeability	Q'ty	New/Old	Note1	Note2
001	256654-3	PIN 4		1			
002	922907-9	HEX. SOCKET BOLT M5X45		1	*		
002-1	266242-8	HEX. SOCKET HEAD BOLT M5X45	X	1			
003	942101-7	SPRING WASHER 5		1			
004	344095-6	SHOE PLATE		1			
005	961017-7	STOP RING E-3		1			
006	252103-8	HEX. LOCK NUT M5-8		1			
007	344096-4	SHOE SUPPORTER		1			
008	265836-6	HEX. SOCKET SET SCREW(HOLE)M8X9		1			
009	232129-6	LEAF SPRING		1	*		
009-1	232165-2	LEAF SPRING	O	1			
010	313067-2	BLADE CLAMP		1	*		
010-1	313075-3	BLADE CLAMP	S	1			
011	265986-7	HEX. SOCKET HEAD BOLT M5X13		1	*		
011-1	266090-5	HEX. SOCKET HEAD BOLT M5X15	S	1			
012	421451-8	INSULATION COVER		1			
013	159614-3	GEAR HOUSING COVER		1			
C10	423233-4	SEAL PLATE		1			
C20	423234-2	PACKING		1			
014	961012-7	STOP RING E-6		1			
015	961012-7	STOP RING E-6		1			
016	213170-8	DUST SEAL 12		1	*		
016-1	213171-6	DUST SEAL 12.7	X	1			
017	415172-2	SLIDER SUPPORT		1	*		
017-1	316765-7	SLIDER SUPPORT	S	1			
018	231342-3	COMPRESSION SPRING 4		2			
019	211135-4	LINEAR BALL BEARING 1228		1	*		
019-1	214161-2	PLANE BEARING 12.7	X	1	*		
019-2	214167-0	PLANE BEARING 12.7	O	1			
020	168250-4	SLIDER		1	*		
020-1	168268-5	SLIDER	X	1	*		
020-2	168281-3	SLIDER	X	1			
021	214161-2	PLANE BEARING 12.7		1	*		
021-1	214167-0	PLANE BEARING 12.7		1			
022	911621-2	PAN HEAD SCREW M5X16		2	*		
022-1	266086-6	HEX. SOCKET HEAD BOLT M5X16	X	2			
023	343980-0	PLATE (B)		1			
024	343983-4	ARM		1			
025	265011-4	+ BINDING HEAD SCREW M5		2			
026	343981-8	PLATE (C)		1			
027	251969-3	HEX. SOCKET HEAD BOLT M5X12		2			
028	911621-2	PAN HEAD SCREW M5X16		2	*		
028-1	266086-6	HEX. SOCKET HEAD BOLT M5X16	X	2			
029	344048-5	PLATE (A)		1	*		
029-1	341462-6	PLATE	X	1			
030	212308-2	THRUST NEEDLE BEARING 2035		1			
031	153218-3	GEAR		1			

C10	256197-5	PIN 7		1		
032	211519-6	BALL BEARING 6808		1		
033	253816-4	FLAT WASHER 6		1		
034	251969-3	HEX. SOCKET HEAD BOLT M5X12		1		
035	256681-0	PIN 7		1	*	
035-1	268012-1	PIN 7	X	1		
036	272228-2	LEVER 20		1		
037	231309-1	COMPRESSION SPRING 5		1		
038	415173-0	STOPPER		1		
039	257106-7	RING 8		1		
040	343982-6	LEVER PLATE		1		
041	921432-7	HEX. BOLT M8X20		1		
042	272227-4	LEVER 50		1	*	
042-1	272235-5	LEVER 50	S	1		
043	912202-5	COUNTERSUNK HEAD SCREW M5 X8		1	*	
043-1	922201-9	HEX. SOCKET HEAD BOLT M5X8	X	1		
044	212038-5	NEEDLE BEARING 710		1		
045	911601-8	PAN HEAD SCREW M5X8		2		
046	212115-3	NEEDLE BEARING 1216		1		
047	321263-8	GEAR SHAFT		1		
048	316464-1	GEAR HOUSING		1		
049	911243-8	PAN HEAD SCREW M5X25		4		
050	911621-2	PAN HEAD SCREW M5X16		1		
051	911213-7	PAN HEAD SCREW M5X12		3		
052	961052-5	RETAINING RING (EXT) S-12		1		
053	211131-2	BALL BEARING 6001DDW		1		
054	285675-8	BEARING RETAINER		1		
055	241863-7	FAN 70		1		
056C_	516168-7	ARMATURE ASS'Y 220V		1		
D10		INC. 55,57,58				
057	681625-5	INSULATION WASHER		1		
058	210005-4	BALL BEARING 608DDW		1		
059	415174-8	SPEED CONTROL KNOB		1		
060	182578-6	HANDLE SET		1	*	
D10		INC. 79				
060-1	182806-9	HANDLE SET	S	1		
D10		INC. 79				
061	159546-4	MOTOR HOUSING		1	*	
C10	643751-8	BRUSH HOLDER		2	*	
C20	263002-9	RUBBER PIN 4		1	*	
061-1	159840-4	MOTOR HOUSING COMPLETE	S	1		
C10	643751-8	BRUSH HOLDER		1		
C20	263002-9	RUBBER PIN 4		10		
062A_	191941-2	CARBON BRUSH CB-251		1	*	
062A1	194547-5	CARBON BRUSH CB-253	<	1	*	
062A2	194994-0	CARBON BRUSH SET CB-253	O	1		
063	643750-0	BRUSH HOLDER CAP 7-11		2	*	
063-1	643515-0	HOLDER CAP 7-11	O	2		
064	857206-9	NAME PLATE JR3020		1		
065	632461-2	SUPPORT COMPLETE		1		
066C_	634168-6	FIELD 220V		1		

067	911686-4	PAN HEAD SCREW M5X65		2	*		
067-1	266029-8	TAPPING SCREW 5X65	X	2			
068	415157-8	BAFFLE PLATE		1			
069	911253-5	PAN HEAD SCREW M5X30		4			
070	421447-9	RUBBER BLOCK (B)		2			
071	263002-9	RUBBER PIN 4		1			
072	256221-4	PIN 3		1			
073	233024-3	COMPRESSION SPRING 4		1			
074	415160-9	LOCK BUTTON		1			
075A_	651921-5	SWITCH SGE110CV-1P		1			
076	256221-4	PIN 3		1			
077	415158-6	SWITCH LEVER		1			
078	421446-1	RUBBER BLOCK (A)		4			
079	182578-6	HANDLE SET		1	*		
D10		INC. 60					
079-1	182806-9	HANDLE SET	S	1			
D10		INC. 60					
080	911158-9	PAN HEAD SCREW M4X30		5	*		
080-1	265999-8	TAPPING SCREW 4X25	X	5			
081A_	631149-1	TRIAC		1			
082	415156-0	CONTROLLER CASE		1			
083	421448-7	RUBBER BAND		1			
084A_	645209-3	NOISE SUPPRESSOR		1			
085	421452-6	RUBBER PLATE		1			
086	265995-6	TAPPING SCREW 4X18		2			
087D_	687063-9	CORD CLAMP		1	*		
087D 1	687052-4	STRAIN RELIEF	X	1			
088B_	682540-6	CORD GUARD 9.3-90		1	*		
088B1	682505-8	CORD GUARD 10-90	O	1			
089F2	665890-4	POWER SUPPLY CORD 1.0-2-4.0		1			
A01	792146-3	RECIPRO SAW BLADE NO.21		1			
A02	792147-1	RECIPRO SAW BLADE NO.22		1			
A03	792148-9	RECIPRO SAW BLADE NO.23		1			
A04	783202-0	HEX. WRENCH 4		1			
A05	410048-8	WRENCH HOLDER 3.4		1			
A06-2	824539-7	PLASTIC CARRYING CASE		1			
C10	417059-4	LATCH		2			
C20	819143-5	MAKITA LABEL		1			
E11	415373-2	SAFETY LOCK BUTTON		1			

Please state Parts No. when your order.

Print Date 26.10.2023