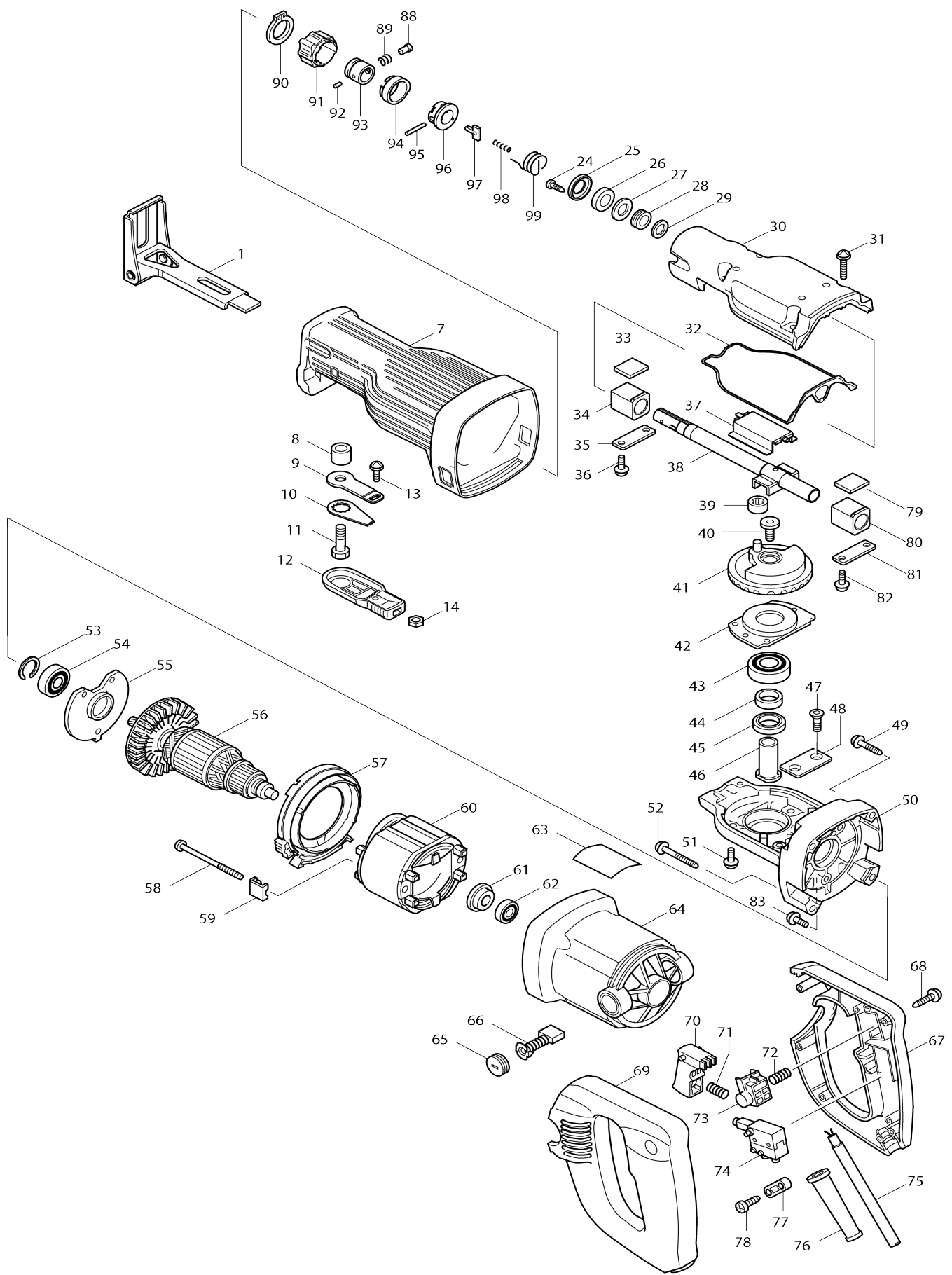


# Model No. JR3030T RECIPRO SAW



Model No. JR3030T RECIPRO SAW

Item No.	Parts No.	Description	Interchangeability	Q'ty	New/Old	Note1	Note2
001A_	168337-2	SHOE		1	*		
001A1	163441-2	SHOE	X	1			
007A_	421665-9	INSULATION COVER		1	*		
007A1	421760-5	INSULATION COVER	X	1			
008	257558-2	SLEEVE 9		1			
009	344732-2	INNER PLATE		1			
010	344733-0	LOCK PLATE		1			
011	921442-4	HEX. BOLT M8X25		1			
012	272240-2	LEVER 60		1			
013	911114-9	PAN HEAD SCREW M4X10		1			
014	931102-0	HEX. NUT M4		1			
015	310088-5	CLAMP		1	*		
015-1	310138-6	CLAMP	<	1	*		
016	216002-8	STEEL BALL 4.8		1	*		
017	256454-1	PIN 5.5-6		1	*		
018	266236-3	HEX.SOCKET HEAD BOLT M5X8		1	*		
018-1	266247-8	TORX SOCKET HEAD BOLT M5X10	X	1	*		
018-2	266272-9	TORX. S.H. SHOULDER BOLT M5X10	X	1	*		
019	323916-5	PUSH PIN		1	*		
020	233018-8	COMPRESSION SPRING 3		1	*		
021	162215-8	PUSH BUTTON		1	*		
022	233247-3	COMPRESSION SPRING 16		1	*		
023	257226-7	RING 13		1	*		
024	266035-3	TAPPING SCREW BIND CT 5X12		2			
025	344729-1	FELT RETAINER		1			
026	262545-8	FELT RING 14		1			
027	253797-2	FLAT WASHER 14		1			
028	213174-0	X RING 14		1			
029	253707-9	FLAT WASHER 16		1			
030	317139-5	GEAR HOUSING COVER		1	*		
030-1	317640-0	GEAR HOUSING COVER	X	1			
031	911253-5	PAN HEAD SCREW M5X30		4			
032	421666-7	PACKING		1			
033	443070-0	PLATE 12X16		1			
034	214169-6	PLANE BEARING 14		1			
035	341462-6	PLATE		1			
036	911225-0	PAN HEAD SCREW M5X16		2			
037	344777-0	SLIDE PLATE		1			
038	168332-2	SLIDER		1	*		
038-1	168368-1	SLIDER	X	1			
039	212001-8	NEEDLE BEARING 708		1			
040	266210-1	HEX. SOCKET HEAD BOLT M10X18		1			
041	153268-8	GEAR COMPLETE		1			
042	285692-8	BEARING RETAINER 56		1			
043	211206-7	BALL BEARING 6202LLB		1			

044	257064-7	RING 15		1		
045	211221-1	BALL BEARING 6902		1		
046	323844-4	GEAR SHAFT		1		
047	251969-3	HEX. SOCKET HEAD BOLT M5X12		2		
048	343981-8	PLATE (C)		1		
049	266173-1	TAPPING SCREW 5X30		2		
050	317140-0	GEAR HOUSING		1		
051	911601-8	PAN HEAD SCREW M5X8		3		
052	266056-5	TAPPING SCREW 5X45		2		
053	961052-5	RETAINING RING (EXT) S-12		1		
054	211131-2	BALL BEARING 6001DDW		1		
055	285693-6	BEARING RETAINER		1		
056A_	516373-6	ARMATURE ASS'Y 220V		1		
C10	240023-8	FAN 70		1		
D10		INC. 61,62				
057	416856-5	BAFFLE PLATE		1		
058	266044-2	TAPPING SCREW 5X60		2		
059	343657-7	RETAINER		2		
060A_	594333-8	FIELD ASS'Y 220V		1		
C10	654020-2	RING TERMINAL		2		
C20	654555-3	CONNECTOR 34130		2		
061	681644-1	INSULATION WASHER		1		
062	210005-4	BALL BEARING 608DDW		1		
063	851802-5	NAME PLATE JR3030T		1		
064A_	151841-8	MOTOR HOUSING COMPLETE		1		
C10	643708-9	BRUSH HOLDER 5-11		2		
065	643750-0	BRUSH HOLDER CAP 7-11		2	*	
065-1	643515-0	HOLDER CAP 7-11	O	2		
066	191963-2	CARBON BRUSH CB-303		1	*	
066-1	194996-6	CARBON BRUSH SET CB-303	O	1		
067	183101-0	HANDLE SET		1		
D10		INC. 69				
068	266045-0	TAPPING SCREW 4X20		5		
069	183101-0	HANDLE SET		1		
D10		INC. 67				
070	416851-5	SWITCH LEVER		1		
071	233251-2	COMPRESSION SPRING 5		1		
072	231230-4	COMPRESSION SPRING 4		1	*	
072-1	231342-3	COMPRESSION SPRING 4	S	1		
073	416850-7	LOCK-ON BUTTON		1	*	
073-1	417323-3	LOCK-ON BUTTON	S	1		
074A_	651919-2	SWITCH SGE106CV-1P		1		
075E_	665883-1	POWER SUPPLY CORD 1.0-2-5.0		1		
076B_	682540-6	CORD GUARD 9.3-90		1	*	
076B1	682505-8	CORD GUARD 10-90	O	1		
077A_	687052-4	STRAIN RELIEF		1		
078	265995-6	TAPPING SCREW 4X18		2		
079	443070-0	PLATE 12X16		1		
080	214169-6	PLANE BEARING 14		1		
081	341462-6	PLATE		1		
082	911225-0	PAN HEAD SCREW M5X16		2		
083	911601-8	PAN HEAD SCREW M5X8		3		

086	941102-2	FLAT WASHER 5		1	*		
087	267758-6	SPRING WASHER 5		1	*		
088	256471-1	SHOULDER PIN 5		1	*		
088-1	256492-3	SHOULDER PIN 5	<	1			
089	233345-3	COMPRESSION SPRING 6		1			
090	961078-7	RETAINING RING (EXT) S-18		1			
091	162228-9	DRIVING SLEEVE		1			
092	268094-3	PIN 3		1			
093	331639-1	GUIDE SLEEVE		1			
094	417791-0	DRIVING SLEEVE GUIDE		1			
095	256158-5	PIN 3		1			
096	310129-7	SLEEVE		1	*		
096-1	418311-3	SLEEVE	O	1			
097	345214-7	PUSH PLATE		1			
098	233025-1	COMPRESSION SPRING 2		1			
099	231662-5	TORSION SPRING 17		1	*		
099-1	231687-9	TORSION SPRING 17	<	1			
A01	792146-3	RECIPRO SAW BLADE NO.21		1			
A02	792147-1	RECIPRO SAW BLADE NO.22		1			
A03	792148-9	RECIPRO SAW BLADE NO.23		1			
A04A_	824539-7	PLASTIC CARRYING CASE		1			
C10	417059-4	LATCH		2			
C20	819143-5	MAKITA LABEL		1			
E02	645253-0	NOISE SUPPRESSOR		1			
E05	685700-9	SPONGE SHEET		1			

Please state Parts No. when your order.

Print Date 26.10.2023