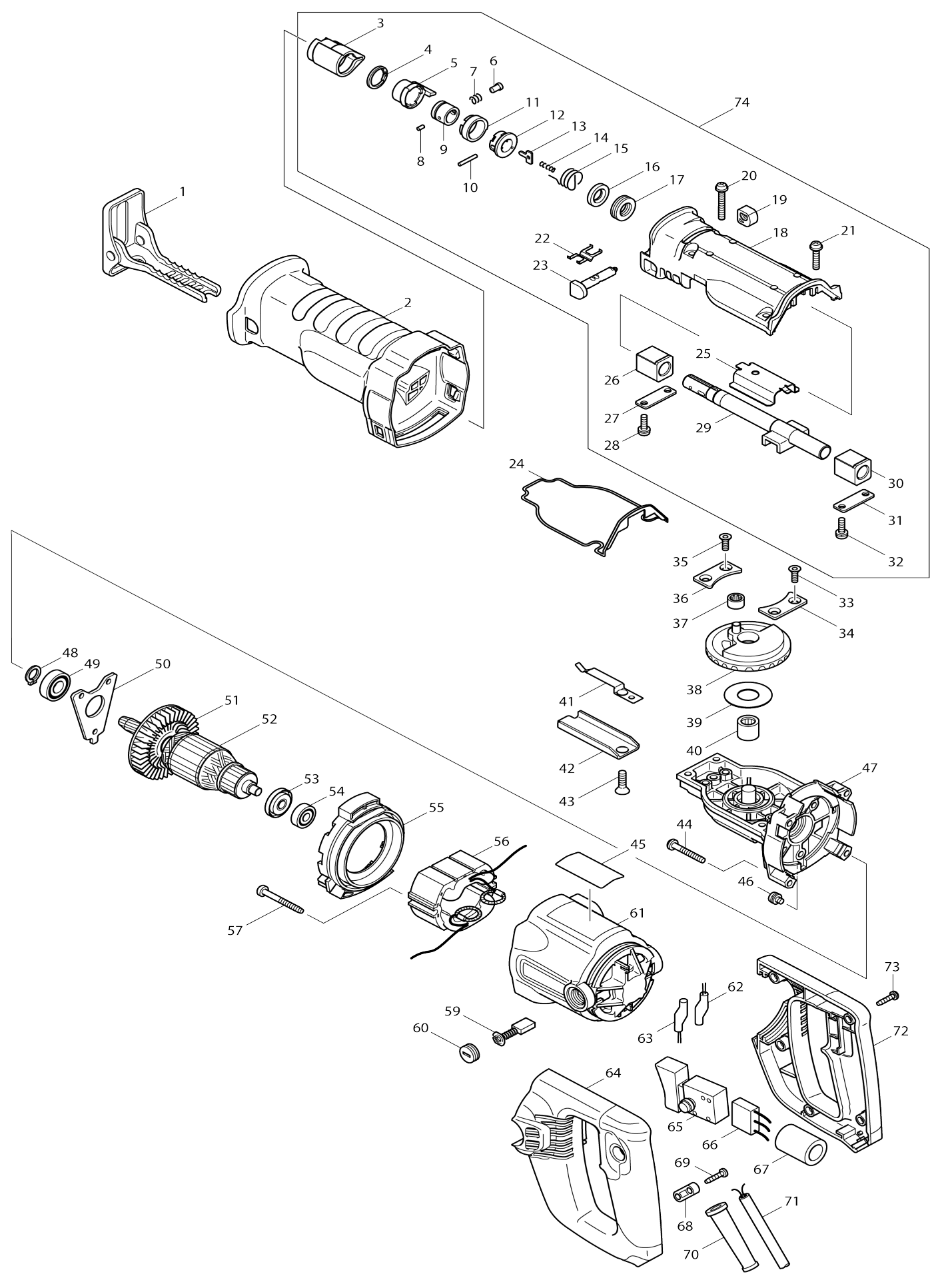


Model No. JR3050T RECIPRO SAW



Model No.JR3050T RECIPRO SAW

Item No.	Parts No.	Description	Interchangability	Q'ty	New/Old	Note1	Note2
001	165396-7	SHOE		1	*		
001-1	163451-9	SHOE	O	1			
002	421892-8	INSULATION COVER		1			
003	421894-4	PROTECTOR		1	*		
003-1	424147-0	PROTECTOR	S	1			
004	961078-7	RETAINING RING (EXT) S-18		1	*		
004-1	257952-8	RETAINING RING (EXT) 18	S	1	*		
004-2	257430-8	RETAINING RING(EXT)18	S	1			
005	310160-3	DRIVING SLEEVE		1	*		
005-1	310160-3	DRIVING SLEEVE	O	1	*		
005-2	310285-3	DRIVING SLEEVE	S	1			
006	256471-1	SHOULDER PIN 5		1	*		
006-1	256492-3	SHOULDER PIN 5	<	1			
007	233345-3	COMPRESSION SPRING 6		1			
008	268094-3	PIN 3		1			
009	331639-1	GUIDE SLEEVE		1	*		
009-1	331720-8	GUIDE SLEEVE	S	1	*		
009-2	327043-0	GUIDE SLEEVE	S	1			
010	256158-5	PIN 3		1			
011	417791-0	DRIVING SLEEVE GUIDE		1			
012	418311-3	SLEEVE		1			
013	345214-7	PUSH PLATE		1			
014	233025-1	COMPRESSION SPRING 2		1			
015	231662-5	TORSION SPRING 17		1	*		
015-1	231687-9	TORSION SPRING 17	<	1			
016	213151-2	OIL SEAL 14		1			
017	213174-0	X RING 14		1			
018	154499-2	GEAR HOUSING COVER COMPLETE		1			
D10		INC. 16,17					
019	418806-6	CAP		1			
020	911258-5	PAN HEAD SCREW M5X35		2			
021	911243-8	PAN HEAD SCREW M5X25		2			
022	232221-8	LEAF SPRING A		1			
023	162236-0	SHIFT BUTTON		1			
024	421893-6	SEAL RING		1			
025	345480-6	SLIDE PLATE		1			
026	214169-6	PLANE BEARING 14		1			
027	341462-6	PLATE		1			
028	911225-0	PAN HEAD SCREW M5X16		2			
029	168405-1	SLIDER		1	*		
029-1	154788-5	SLIDER COMPLETE	O	1	*		
029-2	168405-1	SLIDER	O	1	*		
029-3	168405-1	SLIDER	O	1			
030	214169-6	PLANE BEARING 14		1			
031	341462-6	PLATE		1			
032	911225-0	PAN HEAD SCREW M5X16		2			
033	265148-7	TORX SOCKET HEAD SCREW M5X		2			

		14				
034	345478-3	GEAR PLATE		1		
035	265148-7	TORX SOCKET HEAD SCREW M5X14		2		
036	345478-3	GEAR PLATE		1		
037	212001-8	NEEDLE BEARING 708		1	*	
037-1	212959-1	NEEDLE BEARING 708	O	1		
038	154476-4	GEAR COMPLETE		1	*	
038-1	125283-2	GEAR ASS'Y	<	1		
C10	154476-4	GEAR COMPLETE		1		
D10		INC. 40				
039	267290-0	FLAT WASHER 18		1		
040	212115-3	NEEDLE BEARING 1216		1		
041	232222-6	LEAF SPRING B		1		
042	345479-1	SHOE GUIDE		1		
043	265149-5	+ COUNTERSUNK HEAD SCREW M6X16		1	*	
043-1	265165-7	TORXSOCKET C.S.HEADSCREW M6X16	O	1		
044	266012-5	TAPPING SCREW 5X35		4	*	
044-1	266373-3	TAPPING SCREW 5X35	O	4		
045	861094-8	NAME PLATE JR3050T		1		
046	911606-8	PAN HEAD SCREW M5X10		3	*	
046-1	265530-0	HEX.SOCKET HEAD BOLT M5X8	O	3		
047	154497-6	GEAR HOUSING COMPLETE		1		
048	961052-5	RETAINING RING (EXT) S-12		1		
049	210102-6	BALL BEARING 6001DDW		1		
050	285718-6	BEARING RETAINER		1		
051	241863-7	FAN 70		1		
052	513598-3	ARMATURE ASS'Y 220-240V		1		
D10		INC. 51,53,54				
053	681644-1	INSULATION WASHER		1		
054	210029-0	BALL BEARING 608ZZ		1		
055	418805-8	BAFFLE PLATE		1		
056	525713-7	FIELD ASS'Y 220-240V		1		
C10	654020-2	RING TERMINAL		2		
C20	654501-6	CONNECTOR P-1.25		2	*	
C21	654485-8	PARALLEL SPLICE	O	2		
057	266056-5	TAPPING SCREW 5X45		2	*	
057-1	266466-6	TAPPING SCREW 5X45	O	2	*	
057-2	266056-5	TAPPING SCREW 5X45	O	2		
059	191963-2	CARBON BRUSH CB-303		1	*	
059-1	194996-6	CARBON BRUSH SET CB-303	O	1		
060	643750-0	BRUSH HOLDER CAP 7-11		2		
061	154498-4	MOTOR HOUSING COMPLETE		1		
C10	643708-9	BRUSH HOLDER 5-11		2		
064	183920-4	HANDLE SET		1		
D10		INC. 72				
065	650543-8	SWITCH TG843TB-1		1		
066	645200-1	NOISE SUPPRESSOR		1		
067	685722-9	SPONGE		1		
068	687052-4	STRAIN RELIEF		1	*	

068-1	687124-5	STRAIN RELIEF	O	1		
069	265995-6	TAPPING SCREW 4X18		2		
070	682573-1	CORD GUARD 10		1		
071	665890-4	POWER SUPPLY CORD 1.0-2-4.0		1		
072	183920-4	HANDLE SET		1		
D10		INC. 64				
073	265995-6	TAPPING SCREW 4X18		5		
074	125523-8	GEAR HOUSING COVER ASSEMBLY		1	*	
D10		INC. 3-15,18,19,22,23,25-32				
074-1	127399-9	GEAR HOUSING COVER ASSEMBLY	<	1		
D10		INC. 3-15,18,19,22,23,25-32				
A01	824734-9	PLASTIC CARRYING CASE		1	*	
C10	417724-5	LATCH		2	*	
A01-1	824734-9	PLASTIC CARRYING CASE	O	1	*	
C10	417724-5	LATCH		2	*	
C20	819143-5	MAKITA LABEL		1	*	
A01-2	821621-3	PLASTIC CARRYING CASE	O	1		
C10	162315-4	LATCH		2		
A02	792003-5	RECIPRO SAW BLADE SET		1	*	
A02-1	B-05038	RECIPRO SAW BLADE FOR METAL	<	1		
A03	B-05044	RECIPRO SAW BLADE FOR PLYWOOD		1		
A04	B-05153	RECIPRO SAW BLADE FOR WOOD		1		

Please state Parts No. when your order.

Print Date 02/23/2024