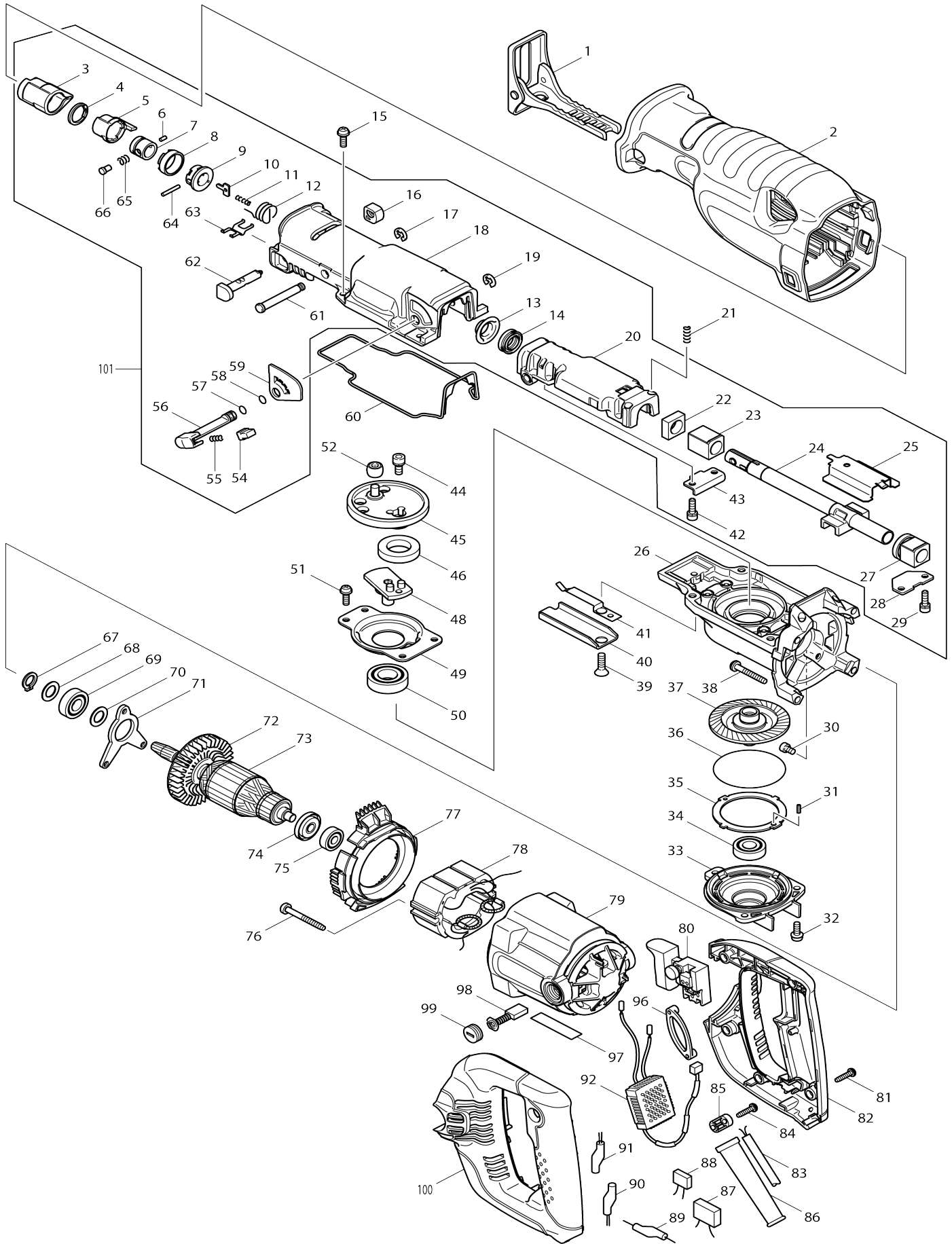


# Model No. JR3060T RECIPRO SAW



Model No.JR3060T RECIPRO SAW

Item No.	Parts No.	Description	Interchangability	Q'ty	New/Old	Note1	Note2
001	165396-7	SHOE		1	*		
001-1	163451-9	SHOE	O	1			
002	421898-6	INSULATION COVER		1			
003	421894-4	PROTECTOR		1	*		
003-1	424147-0	PROTECTOR	S	1			
004	961078-7	RETAINING RING (EXT) S-18		1	*		
004-1	257952-8	RETAINING RING (EXT) 18	S	1	*		
004-2	257430-8	RETAINING RING(EXT)18	S	1			
005	310160-3	DRIVING SLEEVE		1	*		
005-1	310160-3	DRIVING SLEEVE	O	1	*		
005-2	310285-3	DRIVING SLEEVE	S	1			
006	268094-3	PIN 3		1			
007	331639-1	GUIDE SLEEVE		1	*		
007-1	331720-8	GUIDE SLEEVE	S	1	*		
007-2	327043-0	GUIDE SLEEVE	S	1			
008	417791-0	DRIVING SLEEVE GUIDE		1			
009	418311-3	SLEEVE		1			
010	345214-7	PUSH PLATE		1			
011	233025-1	COMPRESSION SPRING 2		1			
012	231687-9	TORSION SPRING 17		1			
013	257742-9	SHOULDER SLEEVE 14		1			
014	213174-0	X RING 14		1			
015	911225-0	PAN HEAD SCREW M5X16		4			
016	418806-6	CAP		1			
017	961012-7	STOP RING E-6		1			
018	154551-6	GEAR HOUSING COVER COMPLETE		1			
019	961012-7	STOP RING E-6		1			
020	154502-9	SLIDER SUPPORT COMPLETE		1			
021	233038-2	COMPRESSION SPRING 5		2			
022	423343-7	SEAL PLATE 14		1			
023	214170-1	PLANE BEARING 14A		1			
024	168410-8	SLIDER		1	*		
024-1	154804-3	SLIDER COMPLETE	O	1	*		
024-2	168410-8	SLIDER	O	1	*		
024-3	168410-8	SLIDER	O	1			
025	345487-2	SLIDE PLATE		1			
026	317842-8	GEAR HOUSING		1			
027	154547-7	BEARING COMPLETE		1	*		
027-1	154547-7	BEARING COMPLETE	O	1			
028	345486-4	PLATE B		1			
029	266086-6	HEX. SOCKET HEAD BOLT M5X16		2	*		
029-1	911225-0	PAN HEAD SCREW M5X16	O	2			
030	265530-0	HEX.SOCKET HEAD BOLT M5X8		3			
031	951051-5	SPRING PIN 3-8		1	*		
032	911225-0	PAN HEAD SCREW M5X16		3			
033	317844-4	BEARING BOX		1			
034	211101-1	BALL BEARING 6001LLB		1			

035	345488-0	GEAR PLATE		1	*		
036	213726-7	O RING 62		1			
037	154549-3	TORQUE LIMITER COMPLETE		1			
038	266012-5	TAPPING SCREW 5X35		4	*		
038-1	266373-3	TAPPING SCREW 5X35	O	4			
039	265149-5	+ COUNTERSUNK HEAD SCREW M6X16		1	*		
039-1	265165-7	TORXSOCKET C.S.HEADSCREW M 6X16	O	1			
040	345479-1	SHOE GUIDE		1			
041	232222-6	LEAF SPRING B		1			
042	266086-6	HEX. SOCKET HEAD BOLT M5X16		2	*		
042-1	911225-0	PAN HEAD SCREW M5X16	O	2			
043	345485-6	PLATE A		1			
044	265531-8	HEX.SOCKET HEAD BOLT M6X14		1			
045	154545-1	CRANK CAM COMPLETE		1	*		
045-1	154545-1	CRANK CAM COMPLETE	O	1			
046	257261-5	RING 21B		1			
048	154546-9	CRANK BASE COMPLETE		1			
049	285720-9	BEARING RETAINER B		1			
050	211251-2	BALL BEARING 6003LLB		1			
051	911225-0	PAN HEAD SCREW M5X16		4			
052	212957-5	NEEDLE BEARING 710		1			
054	418991-5	STOPPER		1			
055	231309-1	COMPRESSION SPRING 5		1			
056	272247-8	LEVER 20		1			
057	213021-5	O RING 5		1			
058	213021-5	O RING 5		1			
059	413095-8	PLATE C		1			
060	421899-4	SEAL RING		1			
061	268012-1	PIN 7		1			
062	162236-0	SHIFT BUTTON		1			
063	232221-8	LEAF SPRING A		1			
064	256158-5	PIN 3		1			
065	233345-3	COMPRESSION SPRING 6		1			
066	256492-3	SHOULDER PIN 5		1			
067	961052-5	RETAINING RING (EXT) S-12		1			
068	253744-3	FLAT WASHER 12		1			
069	211131-2	BALL BEARING 6001DDW		1			
070	253744-3	FLAT WASHER 12		1			
071	285719-4	BEARING RETAINER A		1			
072	241863-7	FAN 70		1			
073	513609-4	ARMATURE ASS'Y 240V		1			
D10		INC. 72,74,75					
074	681644-1	INSULATION WASHER		1			
075	210029-0	BALL BEARING 608ZZ		1			
076	266056-5	TAPPING SCREW 5X45		2	*		
076-1	266466-6	TAPPING SCREW 5X45	O	2	*		
076-2	266056-5	TAPPING SCREW 5X45	O	2			
077	418817-1	BAFFLE PLATE		1			
078	625724-3	FIELD 240V		1			
079	154498-4	MOTOR HOUSING COMPLETE		1			

C10	643708-9	BRUSH HOLDER 5-11		2			
080	650219-7	SWITCH TG71ARS-1		1	*		
080-1	650222-8	SWITCH TG71ARS-1	<	1			
081	265995-6	TAPPING SCREW 4X18		5			
082	183932-7	HANDLE SET		1			
D10		INC. 100					
083	665890-4	POWER SUPPLY CORD 1.0-2-4.0		1			
084	265995-6	TAPPING SCREW 4X18		2			
085	687052-4	STRAIN RELIEF		1	*		
085-1	687124-5	STRAIN RELIEF	O	1			
086	682573-1	CORD GUARD 10		1			
087	645200-1	NOISE SUPPRESSOR		1			
088	645006-7	NOISE SUPPRESSOR		1			
089	646049-2	CHOKE COIL		1			
090	646144-8	CHOKE COIL		1			
091	646145-6	CHOKE COIL		1			
092	631653-0	CONTROLLER		1			
096	421448-7	RUBBER BAND		1			
097	861223-3	JR3060T NAME PLATE		1			
098	191963-2	CARBON BRUSH CB-303		1	*		
098-1	194996-6	CARBON BRUSH SET CB-303	O	1			
099	643750-0	BRUSH HOLDER CAP 7-11		2			
100	183932-7	HANDLE SET		1			
D10		INC. 82					
101	125524-6	GEAR HOUSING COVER ASSEMBLY		1	*		
D10		INC. 3-14,16-20,22-25,27-29,					
D20		INC. 42,43,54-59,61-66					
101-1	127400-0	GEAR HOUSING COVER ASSEMBLY	<	1			
D10		INC. 3-14,16-20,22-25,27-29,					
D20		INC. 42,43,54-59,61-66					
A01	824734-9	PLASTIC CARRYING CASE		1	*		
C10	417724-5	LATCH		2	*		
A01-1	824734-9	PLASTIC CARRYING CASE	O	1	*		
C10	417724-5	LATCH		2	*		
C20	819143-5	MAKITA LABEL		1	*		
A01-2	821621-3	PLASTIC CARRYING CASE	O	1			
C10	162315-4	LATCH		2			
A02	792003-5	RECIPRO SAW BLADE SET		1	*		
A02-1	B-05038	RECIPRO SAW BLADE FOR METAL	<	1			
A03	B-05044	RECIPRO SAW BLADE FOR PLYWOOD		1			
A04	B-05153	RECIPRO SAW BLADE FOR WOOD		1			

Please state Parts No. when your order.

Print Date 02/23/2024