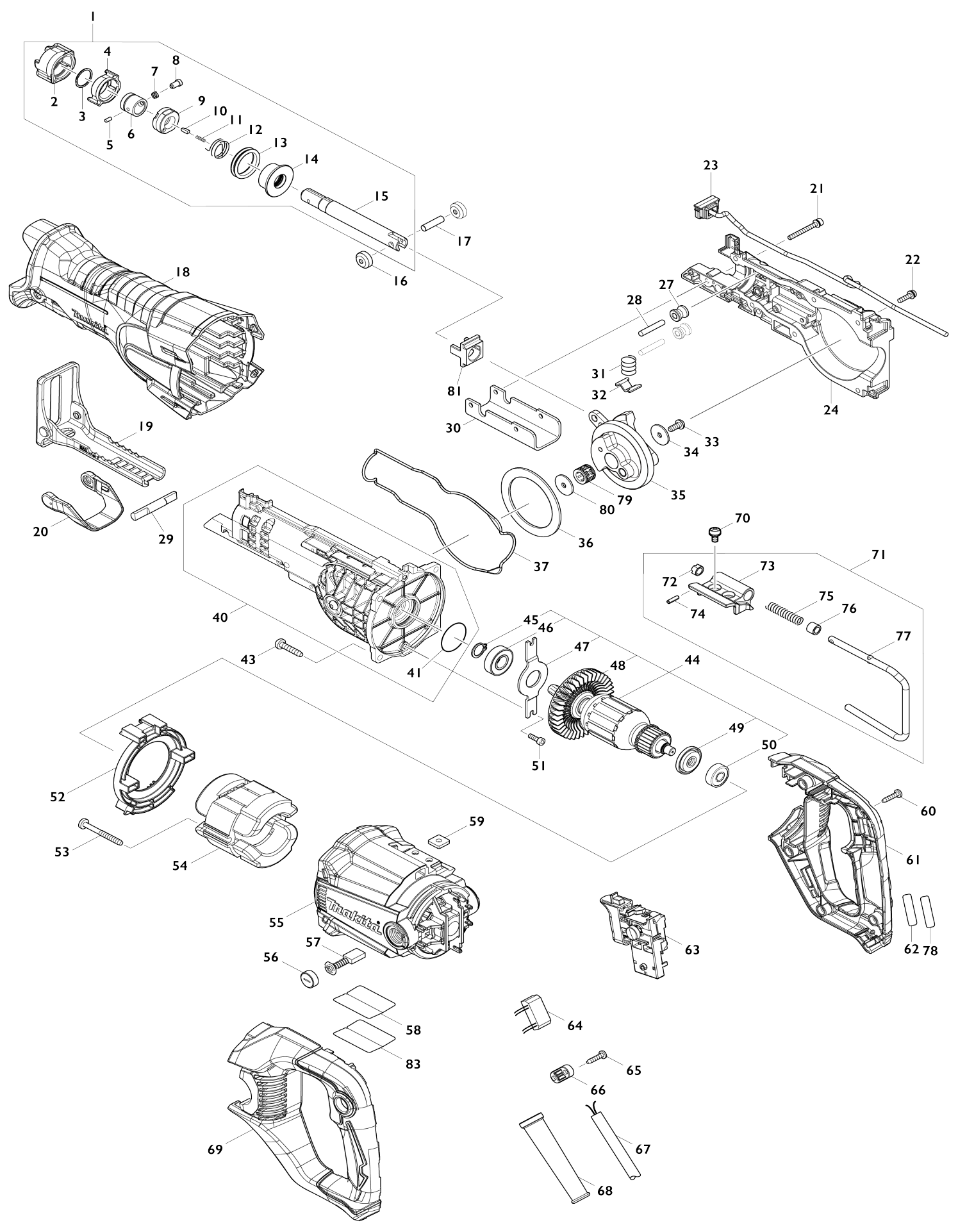


# Model No. JR3061T RECIPRO SAW



Model No.JR3061T RECIPRO SAW

Item No.	Parts No.	Description	Interchangability	Q'ty	New/Old	Note1	Note2
001	127683-2	SLIDER ASSEMBLY		1			
D10		INC. 2-15					
002	422223-4	PROTECTOR		1			
003	257430-8	RETAINING RING(EXT)18		1			
004	310848-5	DRIVING SLEEVE		1			
005	268094-3	PIN 3		1			
006	327650-9	GUIDE SLEEVE		1			
007	234381-2	COMPRESSION SPRING 6		1			
008	256569-4	SHOULDER PIN 5		1			
009	458968-8	CONNECTING SLEEVE		1			
010	310912-2	PUSH PIN		1			
011	232472-3	COMPRESSION SPRING 2		1			
012	233594-2	TORSION SPRING 17		1			
013	422309-4	RUBBER RING 25		1			
014	140C81-1	SEAL HOLDER COMPLETE		1			
015	327652-5	SLIDER		1			
016	310663-7	ROLLER		2			
017	268341-2	PIN 6		1			
018	422308-6	INSULATION COVER		1			
019	161811-9	SHOE		1	*		
019-1	161809-6	SHOE	O	1			
020	458644-4	LOCK LEVER		1			
021	266979-7	HEX.SOCKET HEAD BOLT M4X35 WR		2			
022	911526-6	P.H.SCREW M4X16 WITH WRM		5			
023	620965-6	LED CIRCUIT		1			
024	127139-5	GEAR HOUSING R ASSEMBLY		1			
C10	422630-1	RUBBER PLATE		1			
027	327153-3	ROLLER F		2			
028	256579-1	PIN 5		2			
029	326599-0	LOCK PIN		1			
030	346937-0	SHOE GUIDE PLATE		1			
031	231231-2	COMPRESSION SPRING 12		1			
032	347415-3	SHOE LOCK PLATE		1			
033	265374-8	H.S. BUTTON HEAD SCREW M5X12		1			
034	253462-3	FLAT WASHER 5		1			
035	140C77-2	GEAR COMPLETE		1			
036	267490-2	FLAT WASHER 54		1			
037	422307-8	SEAL RING		1			
040	127140-0	GEAR HOUSING L ASSEMBLY		1			
C10	422630-1	RUBBER PLATE		1			
D10		INC. 41					
041	213437-4	O RING 28		1			
043	266459-3	TAPPING SCREW 5X25		4			
044	517979-3	ARMATURE ASS'Y 240V		1			
D10		INC. 45-50					
045	961052-5	RETAINING RING (EXT) S-12		1			

046	211131-2	BALL BEARING 6001DDW		1		
047	285033-8	BEARING RETAINER 81		1		
048	241863-7	FAN 70		1		
049	681644-1	INSULATION WASHER		1		
050	210029-0	BALL BEARING 608ZZ		1		
051	265353-6	HEX. SOCKET HEAD BOLT M4X12		2		
052	458643-6	BAFFLE PLATE		1		
053	266466-6	TAPPING SCREW 5X45		2		
054	521879-1	FIELD ASS'Y 240V		1		
C10	654020-2	RING TERMINAL		2		
C20	654501-6	CONNECTOR P-1.25		2	*	
C21	654485-8	PARALLEL SPLICE	O	2		
055	140C78-0	MOTOR HOUSING COMPLETE		1		
056	643750-0	BRUSH HOLDER CAP 7-11		2		
057	191963-2	CARBON BRUSH CB-303		1		
058	854V54-9	JR3061T NAME PLATE		1		
059	264002-2	SQUARE NUT M5		2		
060	266326-2	TAPPING SCREW 4X18		5		
061	183K39-5	HANDLE SET		1		
D10		INC. 69				
062	854V59-9	JR3061T SERIAL NO. LABEL		1		
063	651374-8	SWITCH C3VT-2L-C-H50		1		
064	620967-2	POWER SUPPLY CIRCUIT		1		
065	266326-2	TAPPING SCREW 4X18		2		
066	687124-5	STRAIN RELIEF		1		
067	665890-4	POWER SUPPLY CORD 1.0-2-4.0		1		
068	682574-9	CORD GUARD 10-90		1		
069	183K39-5	HANDLE SET		1		
D10		INC. 61				
070	911206-4	PAN HEAD SCREW M5X10		2		
071	126939-0	HOOK ASSEMBLY		1		
D10		INC. 72-77				
072	310661-1	LOCK SLEEVE		1		
073	319729-0	JOINT		1		
074	951057-3	SPRING PIN 3-12		1		
075	233455-6	COMPRESSION SPRING 7		1		
076	262561-0	SLEEVE 6		1		
077	281020-5	HOOK		1		
078	807G78-4	CLEAR LABEL		1		
079	212231-1	NEEDLE CAGE 1012		1		
080	253180-3	FLAT WASHER 10		1		
081	313316-7	SLIDER GUIDE		1		
083	8011F2-5	CLEAR LABEL		1	*	
A01	821718-8	PLASTIC CASE		1		
C10	162315-4	LATCH		1		
A02	B-05038	RECIPRO SAW BLADE FOR METAL		1		
A03	B-05044	RECIPRO SAW BLADE FOR PLYWOOD		1		
A04	B-05153	RECIPRO SAW BLADE FOR WOOD		1		
E02	688165-4	LINE FILTER		1		

Please state Parts No. when your order.

Print Date 26.10.2023