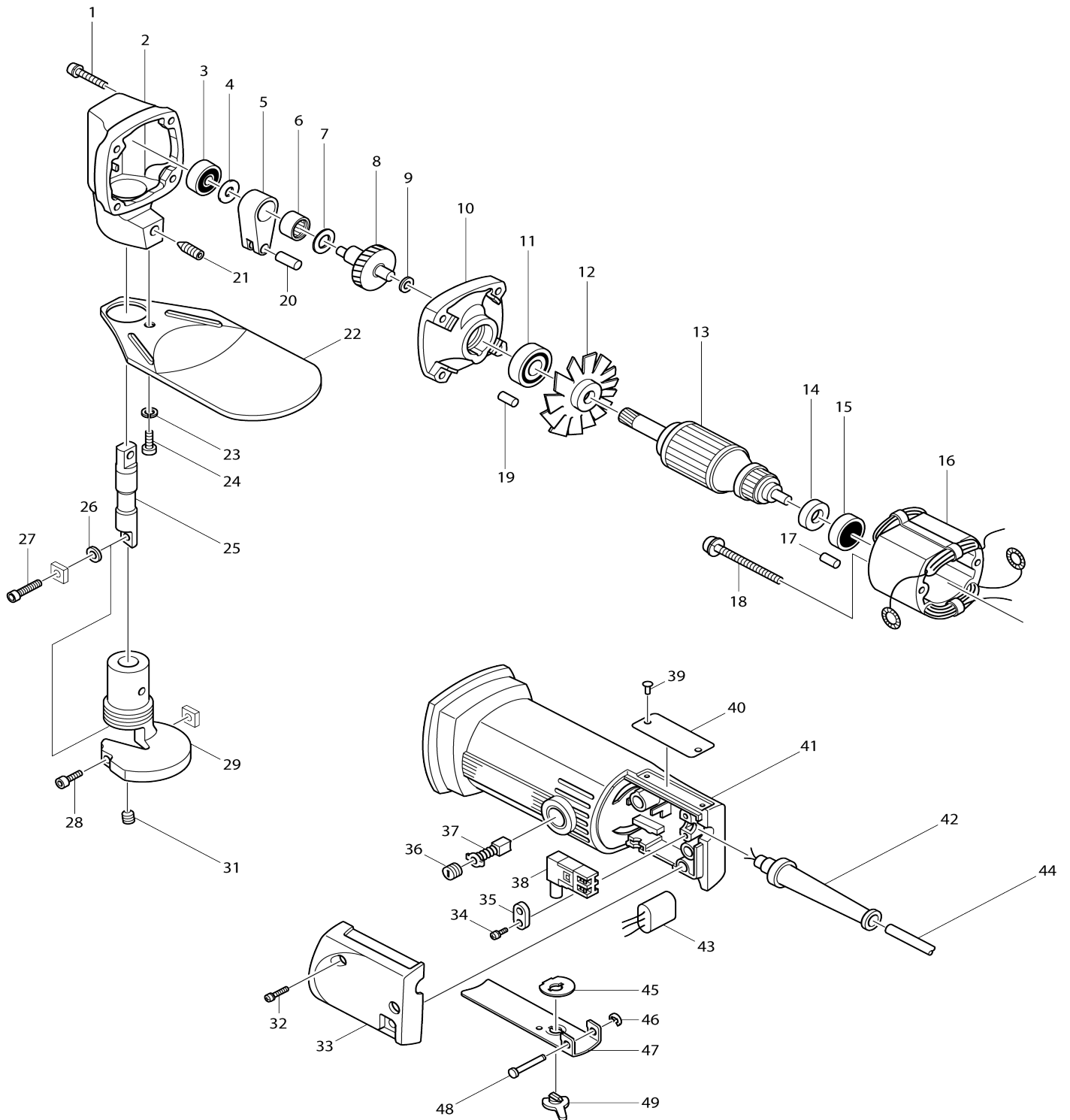


Model No. JS1600 SHEAR 1.6MM



Model No.JS1600 SHEAR 1.6MM

Item No.	Parts No.	Description	Interchangability	Q'ty	New/Old	Note1	Note2
001	911156-3	PAN HEAD SCREW M4X30		4			
002	156725-5	Gear housing complete		1			
C10	817658-6	CAUTION LABEL		1			
003	211029-3	BALL BEARING 627		1	*		
003-1	210025-8	BALL BEARING 627LLB	X	1			
004	253823-7	FLAT WASHER 7		1			
005	331151-1	ROD		1			
006	212063-6	NEEDLE BEARING 1012		1			
007	253758-2	FLAT WASHER 10		1			
008	153138-1	CRANK SHAFT COMPLETE		1			
009	253715-0	FLAT WASHER 6		1			
010	156731-0	Gear housing cover complete		1			
C10	212011-5	NEEDLE BEARING 609		1			
D10		INC. 19					
011	211033-2	BALL BEARING 608LB		1			
012	241081-7	FAN 58		1			
013C_	511433-9	ARMATURE ASS'Y 220V		1			
D10		INC. 11,12,14,15					
014	681614-0	INSULATION WASHER		1			
015	211028-5	BALL BEARING 627LB		1			
016H_	528623-7	FIELD ASS'Y 220V		1	*		
C10	654018-9	RING TERMINAL		2	*		
C20	654501-6	CONNECTOR P-1.25		2	*		
016H1	527066-0	FIELD ASS'Y 220V	X	1			
C10	654018-9	RING TERMINAL		2			
C20	654501-6	CONNECTOR P-1.25		2			
017	263002-9	RUBBER PIN 4		1			
018-1	265891-8	TAPPING SCREW BT 4X55		2	*		
018-2	266147-2	TAPPING SCREW 4X55	<	2			
019	263002-9	RUBBER PIN 4		1			
020	256110-3	PIN 6		1			
021	913427-4	SET SCREW M8X16		1			
022	341676-7	Protector		1			
023-1	942101-7	SPRING WASHER 5		1	*		
024-2	922207-7	HEX. SOCKET HEAD BOLT M5X10		1	*		
024-3	922206-9	HEX. SOCKET HEAD BOLT M5X10	X	1			
025	321311-3	BLADE HOLDER		1			
026	253334-2	THIN WASHER 5		2	*		
026-1	253334-2	THIN WASHER 5	<	1			
027	922112-8	HEX. SOCKET HEAD BOLT M4X10		1			
028-1	922127-5	HEX. SOCKET HEAD BOLT M4X16		1			
029-2	311717-3	YOKE		1			
031	251986-3	H.S.SET SCREW(FLAT POINT)M6X6		1			
032	911158-9	PAN HEAD SCREW M4X30		2			
033A_	411981-7	SWITCH COVER		1			
034-1	911133-5	PAN HEAD SCREW M4X18		2			

035D_	687031-2	STRAIN RELIEF		1		
036	643550-8	BRUSH HOLDER CAP 5-8		2		
037C_	191628-6	CARBON BRUSH CB-65		1		
038B_	651821-9	SWITCH ZGM-54		1		
040	815652-2	Name plate JS1600		1		
041-1	157720-8	MOTOR HOUSING		1		
C10	643557-4	BRUSH HOLDER 5-8		2		
D10		INC. 17				
042B_	682521-0	CORD GUARD 10		1		
043G_	645169-9	NOISE SUPPRESSOR		1	*	
043G 1	645105-5	NOISE SUPPRESSOR	X	1		
044V_	665852-2	POWER SUPPLY CORD 1.0-2-2.0		1		
046	961017-7	STOP RING E-3		1		
047B_	341858-1	SWITCH LEVER		1		
048	256626-8	PIN 4		1		
400-1	410048-8	WRENCH HOLDER 3.4		1		
401	783201-2	HEX. WRENCH 3		1		
402-2	191383-0	SHEAR BLADE SET		1		
900	231322-9	COMPRESSION SPRING 3		1		
901	341930-9	LOCK LEVER		1		

Please state Parts No. when your order.

Print Date 26.10.2023