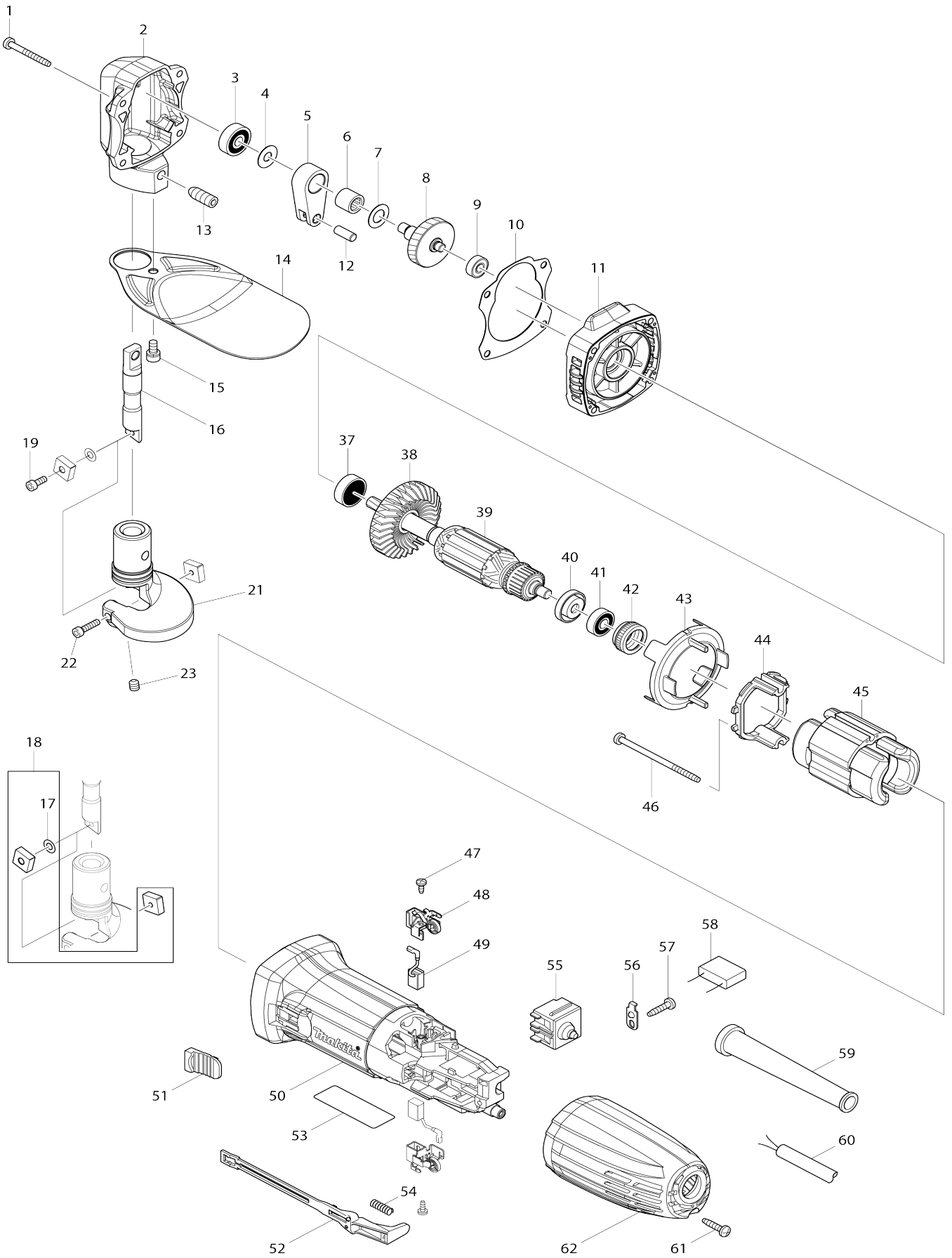


Model No. JS1602 SHEAR 1.6MM



Model No.JS1602 SHEAR 1.6MM

Item No.	Parts No.	Description	Interchangability	Q'ty	New/Old	Note1	Note2
001	266053-1	TAPPING SCREW 4X35		4			
002	141691-9	GEAR HOUSING COMPLETE		1			
C10	800H33-1	INDICATION LABEL		1			
003	210030-5	BALL BEARING 627ZZ		1			
004	253823-7	FLAT WASHER 7		1			
005	331151-1	ROD		1			
006	212063-6	NEEDLE BEARING 1012		1			
007	253758-2	FLAT WASHER 10		1			
008	141690-1	CRANK SHAFT COMPLETE		1			
C10	227760-1	HELICAL GEAR 44		1			
009	210033-9	BALL BEARING 696ZZ		1			
010	442185-0	GASKET		1			
011	454076-3	GEAR HOUSING COVER		1			
012	256110-3	PIN 6		1			
013	913427-4	SET SCREW M8X16		1			
014	346620-9	PROTECTOR		1			
015	922206-9	HEX. SOCKET HEAD BOLT M5X10		1			
016	321311-3	BLADE HOLDER		1			
017	253334-2	THIN WASHER 5		1			
018	191383-0	SHEAR BLADE SET		1			
D10		INC. 17					
019	922112-8	HEX. SOCKET HEAD BOLT M4X10		1			
021	311717-3	YOKE		1			
022	922127-5	HEX. SOCKET HEAD BOLT M4X16		1			
023	251986-3	H.S.SET SCREW(FLAT POINT)M6X6		1			
037	210005-4	BALL BEARING 608DDW		1			
038	240076-7	FAN 56		1			
039	517674-5	ARMATURE ASS'Y 240V		1			
D10		INC. 37,38,40,41					
040	681636-0	INSULATION WASHER		1			
041	210062-2	BALL BEARING 607ZZ		1			
042	421868-5	LABYRINTH RUBBER RING 19		1			
043	450796-7	BAFFLE PLATE		1			
044	452073-3	SPACER		1			
045	623549-9	FIELD		1			
046	266004-4	TAPPING SCREW 4X70		2			
047	265954-0	TAPPING SCREW BIND PT3X8		2			
048	643839-4	BRUSH HOLDER 6X9		2			
049	194722-3	CARBON BRUSH CB-459		1	*		
049-1	195026-6	CARBON BRUSH SET CB-459	O	1			
050	450795-9	MOTOR HOUSING		1			
051	418016-5	SWITCH KNOB		1			
052	450797-5	SWITCH LEVER		1			
053	897764-3	JS1602 NAME PLATE		1			
054	233121-5	COMPRESSION SPRING 4		1			
055	650621-4	SWITCH PS10		1			
056	687682-1	STRAIN RELIEF		1			

057	265995-6	TAPPING SCREW 4X18		1			
058	638739-1	CAPACITOR UNIT		1	*		
058-1	638739-1	CAPACITOR UNIT	O	1			
059	682566-8	CORD GUARD 10		1			
060	665890-4	POWER SUPPLY CORD 1.0-2-4.0		1			
061	265995-6	TAPPING SCREW 4X18		1			
062	453884-9	REAR COVER		1			
A01	410048-8	WRENCH HOLDER 3.4		1			
A02	783201-2	HEX. WRENCH 3		1			
A03	821549-5	CONNECTOR PLASTIC CASE (TYP E1)		1			
C10	453974-8	LATCH		4			
A04	803L36-8	JS1602J INDICATION LABEL		1			
A05	803L37-6	JS1602J PLASTIC CASE LABEL		2			
A06	837882-5	INNER TRAY		1			

Please state Parts No. when your order.

Print Date 12/05/2023