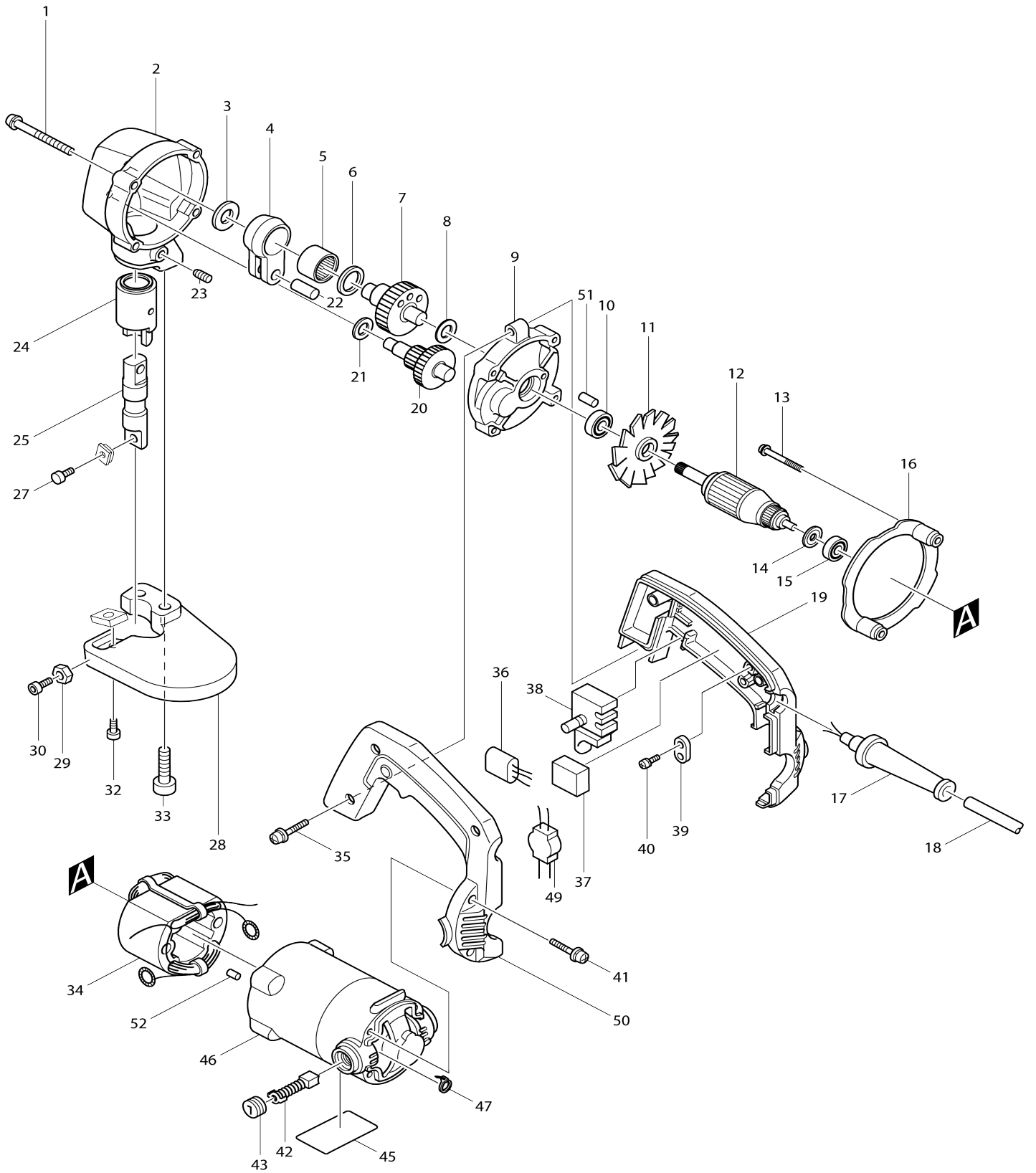


# Model No. JS3200 SHEAR 3.2MM



Model No.JS3200 SHEAR 3.2MM

Item No.	Parts No.	Description	Interchangability	Q'ty	New/Old	Note1	Note2
001	911266-6	PAN HEAD SCREW M5X45		4			
002-1	157640-6	GEAR HOUSING COMPLETE		1			
C10	212104-8	NEEDLE BEARING 1212		1			
C20	214001-4	PLANE BEARING 8		1			
C30	817677-2	CAUTION LABEL		1			
003	253759-0	FLAT WASHER 12		1			
004	331166-8	ROD		1			
005	212252-3	NEEDLE BEARING 1816		1			
006	253198-4	FLAT WASHER 18		1			
007	153141-2	CRANK SHAFT COMPLETE		1			
C10	221879-8	SPUR GEAR 41		1			
C20	254011-9	WOODRUFF KEY 4		1			
008	253758-2	FLAT WASHER 10		1			
009	156833-2	GEAR HOUSING COVER		1			
C10	212061-0	NEEDLE BEARING 1010		1			
C20	212063-6	NEEDLE BEARING 1012		1			
D10		INC. 51					
010	211033-2	BALL BEARING 608LB		1			
011-1	241517-6	FAN 70		1			
012C_	512758-4	ARMATURE ASS'Y 220V		1			
D10		INC. 10,11,14,15					
013-2	911681-4	PAN HEAD SCREW M5X60		2			
014	681613-2	INSULATION WASHER		1			
015	211033-2	BALL BEARING 608LB		1			
016-1	411876-4	BAFFLE PLATE		1			
017B_	682516-3	CORD GUARD 9.3-85		1	*		
017B1	682504-0	CORD GUARD 10-85	O	1			
018A_	665865-3	POWER SUPPLY CORD 1.0-2-2.5		1			
019	181441-0	HANDLE SET		1			
D10		INC. 50					
020	226058-3	GEAR COMPLETE 18-46		1			
021	253215-0	FLAT WASHER 8		1			
022	256118-7	PIN 8		1			
023	913322-8	SET SCREW M6X14		1			
024	321405-4	METAL		1			
025	321404-6	BLADE HOLDER		1			
027-1	922216-6	H.S.H.BOLT M5X14 WITH W		1			
028	331165-0	YOKE		1			
029-1	931203-4	HEX. NUT M5		1			
030	922232-8	HEX. SOCKET HEAD BOLT M5X20		1			
032-1	922216-6	H.S.H.BOLT M5X14 WITH W		1			
033	922452-4	HEX. SOCKET HEAD BOLT M8X30		2			
034E_	528703-9	FIELD ASS'Y 220V		1			
C10	654501-6	CONNECTOR P-1.25		2			
C20	654019-7	RING TERMINAL		2			
035	911243-8	PAN HEAD SCREW M5X25		3			
036G_	645253-0	NOISE SUPPRESSOR		1			

037B_	685700-9	SPONGE SHEET		1		
038G_	651235-2	SWITCH C2M-A1T		1	*	
038G 1	651225-5	SWITCH SGEL215C	S	1		
039C_	687031-2	STRAIN RELIEF		1		
040-1	911133-5	PAN HEAD SCREW M4X18		2		
041	911243-8	PAN HEAD SCREW M5X25		4		
042C_	181030-1	CARBON BRUSH CB-100		1		
043	643600-9	BRUSH HOLDER CAP 6-10		2		
045	854498-1	NAME PLATE JS3200		1		
046	156734-4	MOTOR HOUSING		1		
C10	643603-3	BRUSH HOLDER 6-10		2	*	
C11	643609-1	BRUSH HOLDER 6-10	O	2		
D10		INC. 52				
047	687010-0	BAND		1		
050	181441-0	HANDLE SET		1		
D10		INC. 19				
051	263002-9	RUBBER PIN 4		1		
052-1	263014-2	RUBBER PIN 4		1		
400	792287-5	SHEAR BLADES SET		1		
402	762007-1	THICKNESS GAUGE		1		
900-3	181797-1	STEEL CARRYING CASE		1	*	
900-4	181797-1	STEEL CARRYING CASE	O	1		
903	819001-5	MAKITA LABEL		1		

Please state Parts No. when your order.

Print Date 26.10.2023