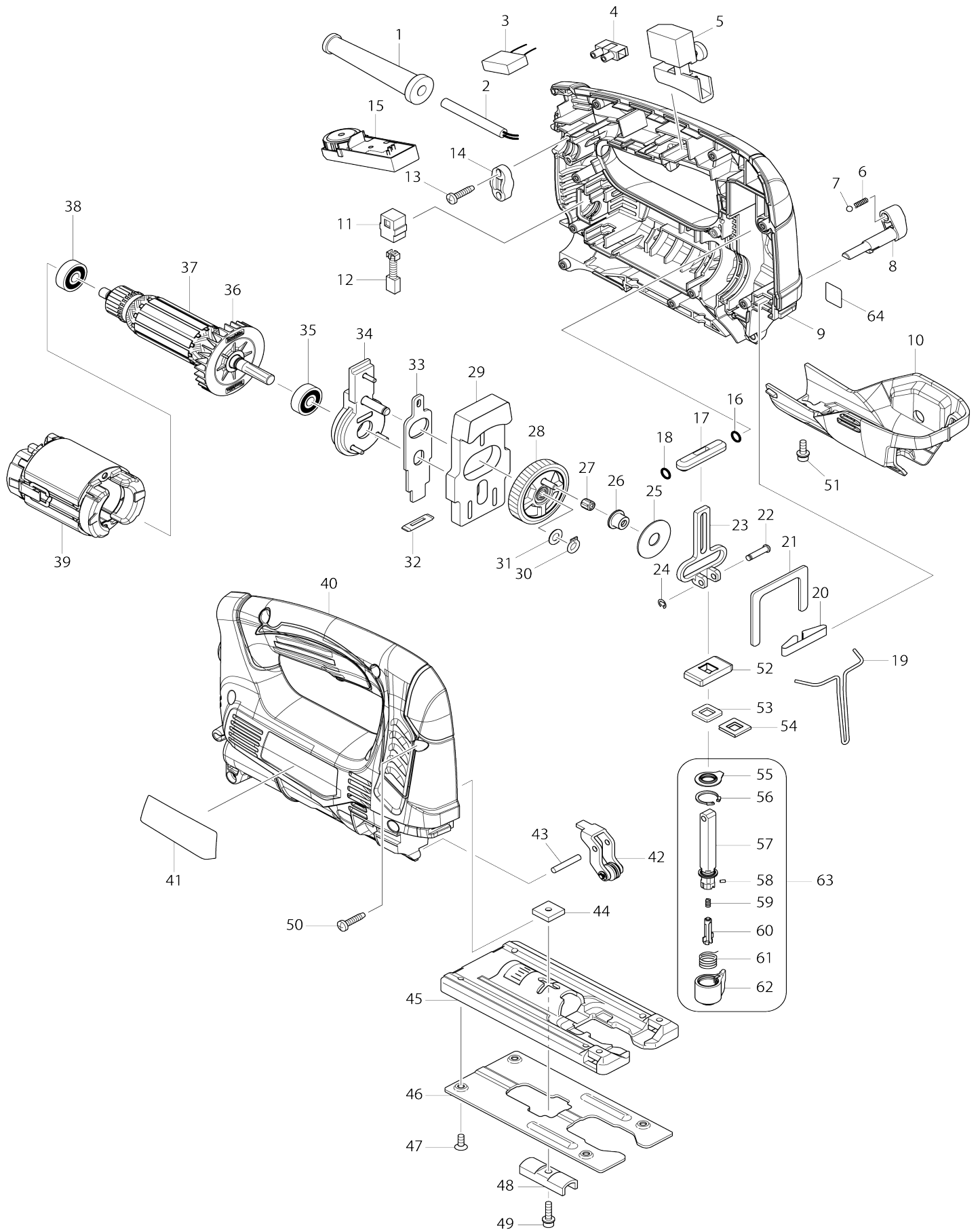


Model No. JV0600 JIG SAW



Model No. JV0600 JIG SAW

Item No.	Parts No.	Description	Interchangeability	Qty	New/Old	Note1	Note2
001	682502-4	CORD GUARD 8-85		1			
002	695034-2	POWER SUPPLY CORD 1.0-2-4.0		1			
003	645149-5	NOISE SUPPRESSOR		1			
004	654532-5	TERMINAL BLOCK 1P		1			
005	650202-4	SWITCH SGEL115CDY-8		1			
006	233151-6	COMPRESSION SPRING 4		1			
007	216008-6	STEEL BALL 4		1			
008	272269-8	LEVER 18		1			
009	187163-0	HOUSING SET		1			
C10	263002-9	RUBBER PIN 4		2			
D10		INC. 40					
010	318751-4	HOUSING COVER		1			
011	643552-4	BRUSH HOLDER 5-8		2			
012	191627-8	CARBON BRUSH CB-64		1			
013	265995-6	TAPPING SCREW 4X18		2			
014	687052-4	STRAIN RELIEF		1	*		
014-1	687124-5	STRAIN RELIEF	O	1			
015	620046-6	CONTROLLER		1	*		
015-1	620D42-8	CONTROLLER	S	1			
016	213038-8	O RING 5		1			
017	313082-6	SLIDER GUIDE		1			
018	213038-8	O RING 5		1			
019	326092-4	SAFETY WIRE		1			
020	232183-0	LEAF SPRING		1			
021	346473-6	SLIDER GUIDE PLATE		1			
022	268090-1	PIN 4		1			
023	310484-7	SLIDER		1	*		
023-1	313354-9	SLIDER	<	1			
024	961017-7	STOP RING E-3		1			
025	253180-3	FLAT WASHER 10		1			
026	257804-3	SHOULDER SLEEVE 7		1			
027	212965-6	NEEDLE CAGE 407		1			
028	141026-4	GEAR COMPLETE		1			
029	313216-1	BALANCE PLATE		1			
030	961002-0	RETAINING RING S-6		1			
031	253715-0	FLAT WASHER 6		1			
032	416703-0	DUST SEAL		1			
033	346471-0	PUSH PLATE		1			
034	141029-8	BEARING CASE COMPLETE		1	*		
034-1	144820-3	BEARING CASE COMPLETE	O	1			
035	210005-4	BALL BEARING 608DDW		1			
036	240115-3	FAN 55		1			
037	518871-6	ARMATURE ASS'Y 220V		1			
D10		INC. 35,36,38					
038	210023-2	BALL BEARING 627DDW		1			
039	633789-1	FIELD 240V		1	*		
039-1	639122-5	FIELD 240V	S	1			

040	187163-0	HOUSING SET		1		
C10	263002-9	RUBBER PIN 4		2		
D10		INC. 9				
041	869972-6	JV0600 NAME PLATE		1		
042	141028-0	RETAINER COMPLETE		1		
043	256206-0	PIN 4		1		
044	343540-8	HOLDER		2		
045	317796-9	BASE		1		
046	345441-6	BASE PLATE		1		
047	912107-9	COUNTERSUNK HEAD SCREW M4 X8		4		
048	344685-5	CLAMP PLATE		1	*	
048-1	344685-5	CLAMP PLATE	O	1		
049	922138-0	H.S.H.BOLT M4X20 WITH WR		1		
050	265995-6	TAPPING SCREW 4X18		10		
051	922118-6	HEX. SOCKET HEAD BOLT M4X12		1		
052	313215-3	SLIDER SUPPORT		1		
053	424436-3	POLYURETHANE SPONGE SEAL		1		
054	346470-2	SEAL PLATE		1		
055	424437-1	DUST COVER		1		
056	962063-3	RETAINING RING R-13		1		
057	165654-1	ROD		1		
058	256528-8	PIN 2		1		
059	233314-4	COMPRESSION SPRING 4		1		
060	310485-5	LOCK PIN		1		
061	233591-8	TORSION SPRING 10		1		
062	452850-3	INSERT HOLDER		1		
063	135482-8	ROD ASS'Y		1		
D10		INC. 55-62				
A01	A-85628	JIGSAW BLADE NO.B10		1		
A02	783201-2	HEX. WRENCH 3		1		
A03	824998-5	PLASTIC CARRYING CASE		1		
C10	162315-4	LATCH		2		
C20	452137-3	HANDLE		1		
A06	810C31-7	JV0600K PLASTIC CASE LABEL		2		
E03	688161-2	LINE FILTER		1		
F02	199140-0	GUIDE RAIL 1000 SET		1		
F03	192557-6	ANTI-SPLITTING DEVICE		1		
A03	821549-5	CONNECTOR PLASTIC CASE (TYP E1)		1		
C10	453974-8	LATCH		4		
A04	837803-7	INNER TRAY		1		
A05	800X48-4	JV0600J INDICATION LABEL		1	*	
A05-1	810C36-7	JV0600J INDICATION LABEL	O	1		
A06	800X49-2	JV0600J PLASTIC CASE LABEL		2	*	
A06-1	810C37-5	JV0600J PLASTIC CASE LABEL	X	2		

Please state Parts No. when your order.

Print Date 26.10.2023