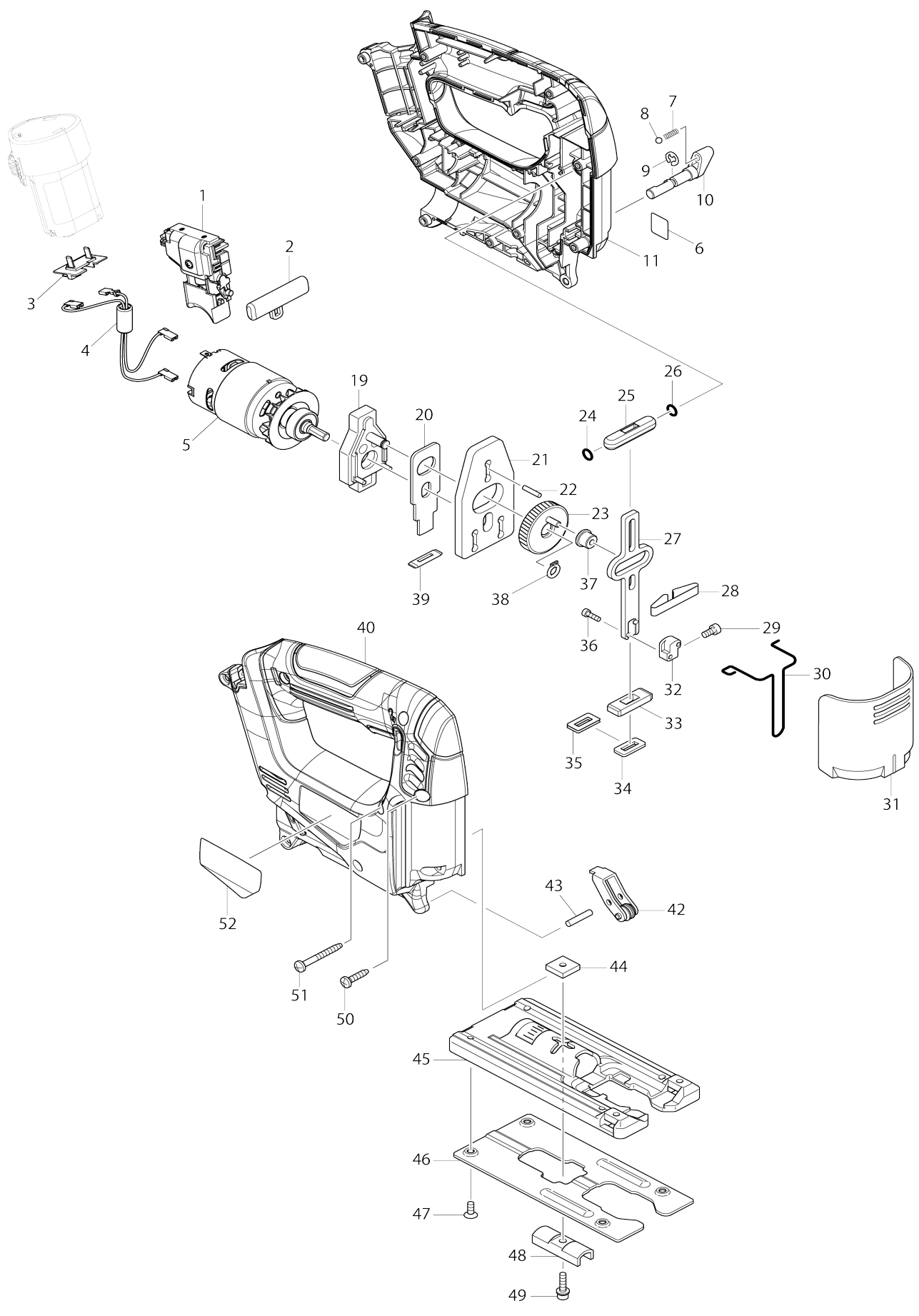


Model No. JV100D CORDLESS JIG SAW



Model No. JV100D CORDLESS JIG SAW

Item No.	Parts No.	Description	Interchangeability	Q'ty	New/Old	Note1	Note2
001	650679-3	SWITCH C3HW-3A-M		1			
002	417880-1	F/R CHANGE LEVER		1			
003	643830-2	TERMINAL		1			
004	638976-7	LINE FILTER UNIT		1			
005	629926-3	DC MOTOR		1			
007	233151-6	COMPRESSION SPRING 4		1			
008	216008-6	STEEL BALL 4		1			
009	961011-9	STOP RING E-4		1			
010	272267-2	LEVER 19		1			
011	187216-5	HOUSING SET		1			
D10		INC. 40					
019	152600-3	BEARING CASE COMPLETE		1			
020	344683-9	PUSH PLATE		1			
021	344614-8	BALANCE PLATE		1			
022	256254-9	PIN 3		1			
023	153260-4	GEAR COMPLETE		1			
024	213038-8	O RING 5		1			
025	313082-6	SLIDER GUIDE		1			
026	213038-8	O RING 5		1			
027	344613-0	SLIDER		1			
028	232183-0	LEAF SPRING		1			
029	922107-1	HEX. SOCKET HEAD BOLT M4X8		1			
030	323748-0	SAFETY WIRE		1			
031	416476-5	DUST COVER		1			
032	313140-8	BLADE CLAMP		1			
033	313086-8	SLIDER SUPPORT		1			
034	423307-1	POLYURETHANE SPONGE SEAL		1			
035	344686-3	SEAL PLATE		1			
036	266177-3	HEX. SOCKET HEAD BOLT M3X10		2			
037	257683-9	COLLAR SLEEVE		1			
038	961002-0	RETAINING RING S-6		1			
039	416703-0	DUST SEAL		1			
040	187216-5	HOUSING SET		1			
D10		INC. 11					
042	158392-2	RETAINER COMPLETE		1			
043	256117-9	PIN 4		1			
044	343540-8	HOLDER		1			
045	317796-9	BASE		1			
046	345441-6	BASE PLATE		1			
047	912107-9	COUNTERSUNK HEAD SCREW M4 X8		4			
048	344685-5	CLAMP PLATE		1	*		
048-1	344685-5	CLAMP PLATE	O	1			
049	922128-3	HEX. SOCKET HEAD BOLT M4X16		1			
050	266326-2	TAPPING SCREW 4X18		9			
051	266351-3	TAPPING SCREW 4X35		1			
052	896564-8	JV100D NAME PLATE		1			
A01	A-85628	JIGSAW BLADE NO.B10		1			

A02	783201-2	HEX. WRENCH 3		1		
F01	199140-0	GUIDE RAIL 1000 SET		1		
F03	192557-6	ANTI-SPLITTING DEVICE		1		
F07-1	196066-7	BATTERY BL1013 SET	O	1		
A03	192732-4	GUIDE RULE SET		1		
C10	165217-3	GUIDE RULE		1		
C20	323802-0	GUIDE PIN		1		
C30	271601-3	KNOB 20		1		
C40	922107-1	HEX. SOCKET HEAD BOLT M4X8		1		
A04	***DC10WA	DC10WA BATTERY CHARGER		1		
A05	194550-6	BATTERY BL1013 SET		2	*	
A05-1	196066-7	BATTERY BL1013 SET	O	2		
A06	821508-9	PLASTIC CARRYING CASE		1		
C10	162315-4	LATCH		2		
C20	452137-3	HANDLE		1		
A07	890653-1	JV100DWE PLASTIC CASE LABEL		2		
A06	821549-5	CONNECTOR PLASTIC CASE (TYP E1)		1	*	
C10	453974-8	LATCH		4	*	
A06-1	821549-5	CONNECTOR PLASTIC CASE (TYP E1)	<	1		
C10	453974-8	LATCH		4		
A07	837665-3	INNER TRAY		1		
A08	800X50-7	JV100DWJ INDICATION LABEL		1		
A09	800X51-5	JV100DWJ PLASTIC CASE LABEL		2		
011	187217-3	HOUSING SET		1		
040	187217-3	HOUSING SET		1		
A08	803L38-4	JV100DZJ INDICATION LABEL		1		
A09	803L39-2	JV100DZJ PLASTIC CASE LABEL		2		

Please state Parts No. when your order.

Print Date 26.10.2023