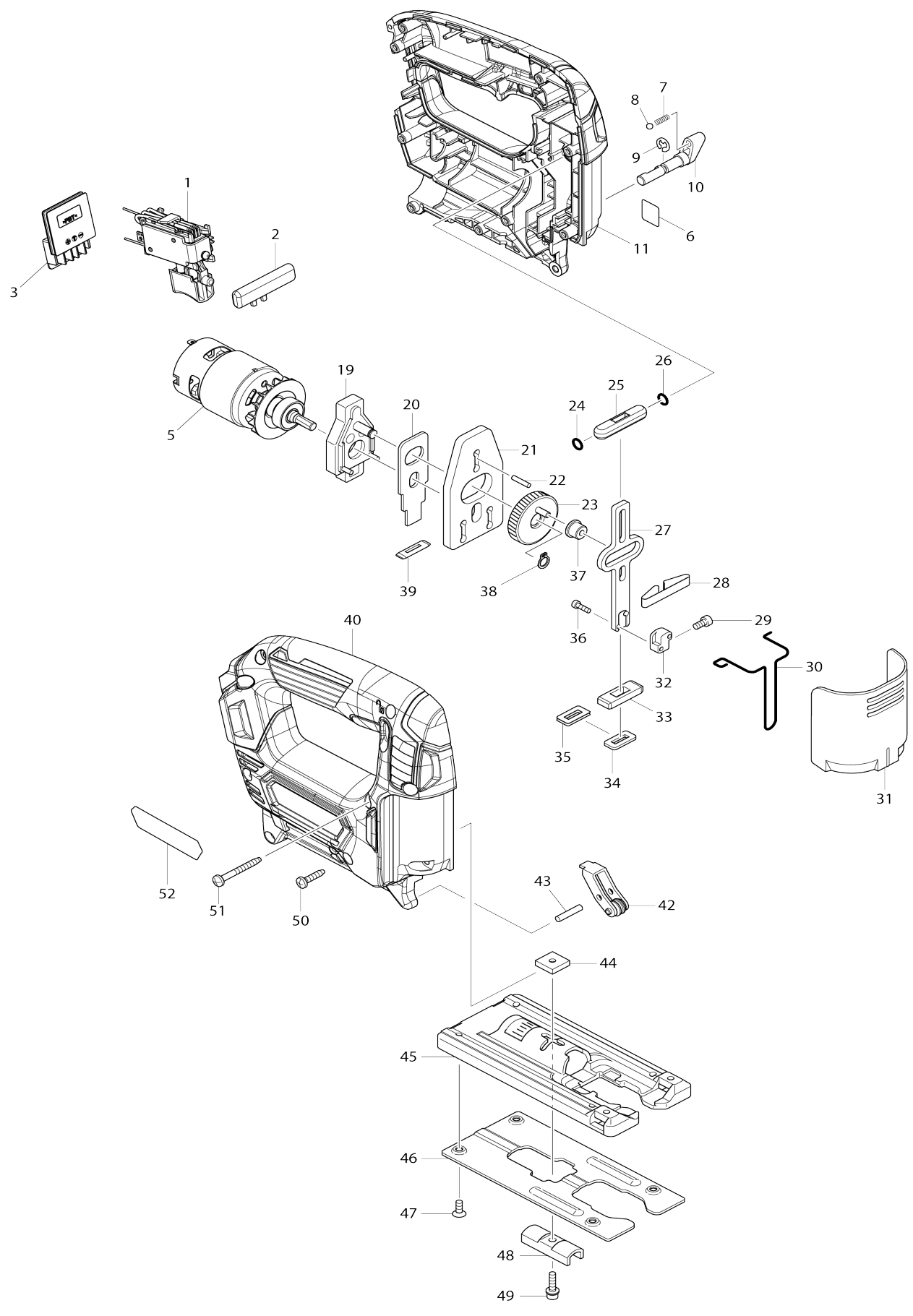


# Model No. JV101D CORDLESS JIG SAW



Model No. JV101D CORDLESS JIG SAW

Item No.	Parts No.	Description	Interchangeability	Q'ty	New/Old	Note1	Note2
001	632G55-5	SWITCH UNIT		1			
C10	654086-2	RECEPTACLE		2			
002	454742-2	LOCK OFF BUTTON		1			
003	644813-5	TERMINAL		1			
005	629213-0	DC MOTOR		1			
007	233151-6	COMPRESSION SPRING 4		1			
008	216008-6	STEEL BALL 4		1			
009	961011-9	STOP RING E-4		1			
010	272267-2	LEVER 19		1			
011	183E13-7	HOUSING SET		1			
C10	263002-9	RUBBER PIN 4		2			
D10		INC. 40					
019	152600-3	BEARING CASE COMPLETE		1			
020	344683-9	PUSH PLATE		1			
021	344614-8	BALANCE PLATE		1			
022	256254-9	PIN 3		1			
023	153260-4	GEAR COMPLETE		1			
024	213038-8	O RING 5		1			
025	313082-6	SLIDER GUIDE		1			
026	213038-8	O RING 5		1			
027	344613-0	SLIDER		1			
028	232183-0	LEAF SPRING		1			
029	922107-1	HEX. SOCKET HEAD BOLT M4X8		1			
030	323748-0	SAFETY WIRE		1			
031	416476-5	DUST COVER		1			
032	313140-8	BLADE CLAMP		1			
033	313086-8	SLIDER SUPPORT		1			
034	423307-1	POLYURETHANE SPONGE SEAL		1			
035	344686-3	SEAL PLATE		1			
036	266177-3	HEX. SOCKET HEAD BOLT M3X10		2			
037	257683-9	COLLAR SLEEVE		1			
038	961002-0	RETAINING RING S-6		1			
039	416703-0	DUST SEAL		1			
040	183E13-7	HOUSING SET		1			
C10	263002-9	RUBBER PIN 4		2			
D10		INC. 11					
042	158392-2	RETAINER COMPLETE		1			
043	256117-9	PIN 4		1			
044	343540-8	HOLDER		1			
045	317796-9	BASE		1			
046	345441-6	BASE PLATE		1			
047	912107-9	COUNTERSUNK HEAD SCREW M4 X8		4			
048	344685-5	CLAMP PLATE		1	*		
048-1	344685-5	CLAMP PLATE	O	1			
049	922128-3	HEX. SOCKET HEAD BOLT M4X16		1			
050	266326-2	TAPPING SCREW 4X18		9			
051	266351-3	TAPPING SCREW 4X35		1			

052	852E10-1	JV101D NAME PLATE		1	*		
052-1	852E09-6	JV101D NAME PLATE	<	1			
A01	A-85628	JIGSAW BLADE NO.B10		1			
A02	783201-2	HEX. WRENCH 3		1			
F02	199140-0	GUIDE RAIL 1000 SET		1			
F03	192557-6	ANTI-SPLITTING DEVICE		1			
F11	198968-3	BATTERY BL1016 SET		1			
F12	198969-1	BATTERY BL1016 SET (2PIECES)		1			
F13-1	198970-6	BATTERY BL1021B SET (2PIECES)	O	1			
F14-1	199002-2	BATTERY BL1041B SET (2PIECES)	O	1			
A03	192732-4	GUIDE RULE SET		1			
C10	165217-3	GUIDE RULE		1			
C20	323802-0	GUIDE PIN		1			
C30	271601-3	KNOB 20		1			
C40	922107-1	HEX. SOCKET HEAD BOLT M4X8		1			
A04	***DC10WC	DC10WC BATTERY CHARGER		1	*		
D10		COMPO-PARTS					
A04-1	***DC10WD	DC10WD BATTERY CHARGER	<	1			
D10		COMPO-PARTS					
A05	197394-3	BATTERY BL1020B SET		2	*		
A05-1	197396-9	BATTERY BL1021B SET	<	2	*		
A05-2	197396-9	BATTERY BL1021B SET	O	2			
A06	456128-6	BATTERY COVER		1			
A07	821691-2	PLASTIC CARRYING CASE		1			
C10	162315-4	LATCH		2			
A04	***DC10SA	DC10SA BATTERY CHARGER		1	*		
A04-1	***DC10SB	DC10SB BATTERY CHARGER	<	1			
A05	197402-0	BATTERY BL1040B SET		2	*		
A05-1	197406-2	BATTERY BL1041B SET	<	2	*		
A05-2	197406-2	BATTERY BL1041B SET	O	2			
A07	821549-5	CONNECTOR PLASTIC CASE (TYP E1)		1			
C10	453974-8	LATCH		4			
A08	838563-4	INNER TRAY		1			
A09	809E79-6	JV101DSMJ INDICATION LABEL		1	*		
A09-1	809E78-8	JV101DSMJ INDICATION LABEL	<	1			
A10	809E80-1	JV101DSMJ PLASTIC CASE LABEL		2	*		
A10-1	809E81-9	JV101DSMJ PLASTIC CASE LABEL	O	2			

Please state Parts No. when your order.

Print Date 26.10.2023