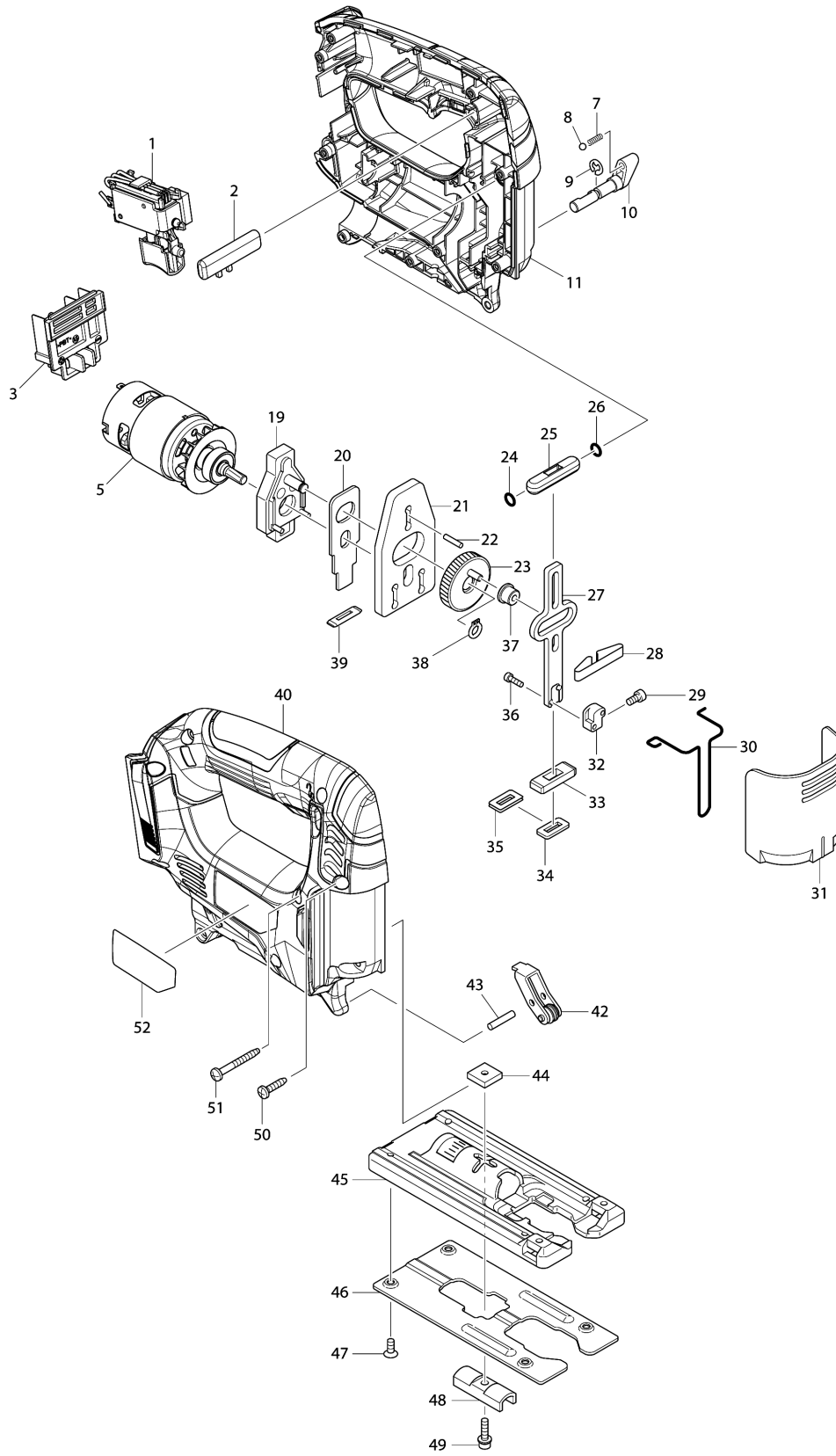


Model No.JV183D CORDLESS JIG SAW



Model No.JV183D CORDLESS JIG SAW

Item	Parts No.	Description	I/C	Qty	New/Old	Opt. 1	Opt. 2	Note
001	632B68-6	SWITCH UNIT		1				
C10	688172-7	LINE FILTER		1				
C20	654086-2	RECEPTACLE		2				
002	454742-2	LOCK OFF BUTTON		1				
003	643862-9	TERMINAL		1				
005	629113-4	DC MOTOR		1				
007	233151-6	COMPRESSION SPRING 4		1				
008	216008-6	STEEL BALL 4		1				
009	961011-9	STOP RING E-4		1				
010	272267-2	LEVER 19		1				
011	187723-8	HOUSING SET		1				
D10		INC. 40						
019	152600-3	BEARING CASE COMPLETE		1				
020	344683-9	PUSH PLATE		1				
021	344614-8	BALANCE PLATE		1				
022	256254-9	PIN 3		1				
023	153260-4	GEAR COMPLETE		1				
024	213038-8	O RING 5		1				
025	313082-6	SLIDER GUIDE		1				
026	213038-8	O RING 5		1				
027	344613-0	SLIDER		1				
028	232183-0	LEAF SPRING		1				
029	922107-1	HEX. SOCKET HEAD BOLT M4X8		1				
030	323748-0	SAFETY WIRE		1				
031	416476-5	DUST COVER		1				
032	313140-8	BLADE CLAMP		1				
033	313086-8	SLIDER SUPPORT		1				
034	423307-1	POLYURETHANE SPONGE SEAL		1				
035	344686-3	SEAL PLATE		1				
036	266177-3	HEX. SOCKET HEAD BOLT M3X10		2				
037	257683-9	COLLAR SLEEVE		1				
038	961002-0	RETAINING RING S-6		1				
039	416703-0	DUST SEAL		1				
040	187723-8	HOUSING SET		1				
D10		INC. 11						
042	158392-2	RETAINER COMPLETE		1				
043	256117-9	PIN 4		1				
044	343540-8	HOLDER		1				
045	317796-9	BASE		1				
046	345441-6	BASE PLATE		1				
047	912107-9	COUNTERSUNK HEAD SCREW M4X8		4				
048	344685-5	CLAMP PLATE		1	*			
048-1	344685-5	CLAMP PLATE	O	1				

Please order the parts with part number.

Print Date 3/1/2024

Model No.JV183D CORDLESS JIG SAW

Item	Parts No.	Description	I/C	Qty	New/Old	Opt. 1	Opt. 2	Note
049	922128-3	HEX. SOCKET HEAD BOLT M4X16		1				
050	266326-2	TAPPING SCREW 4X18		9				
051	266351-3	TAPPING SCREW 4X35		1				
052	815D85-5	JV183D NAME PLATE		1				
A01	A-85628	JIGSAW BLADE NO.B10		1				
A02	783201-2	HEX. WRENCH 3		1				
A03A	***DC18WA	DC18WA BATTERY CHARGER		1				
A04A	196367-3	BATTERY BL1813G SET		2	*			
A04-1A	196367-3	BATTERY BL1813G SET	O	2	*			
A04-2A	198186-3	BATTERY BL1815G SET	<	2	*			
A04-3A	198186-3	BATTERY BL1815G SET	<	2				
A05A	452652-7	BATTERY COVER		1				
A06-1A	821646-7	PLASTIC CARRYING CASE		1				
C10	162315-4	LATCH		2				
C20	452137-3	HANDLE		1				
A07A	802T11-9	JV183DWE PLASTIC CASE LABEL		2				
F03	192557-6	ANTI-SPLITTING DEVICE		1				
F07-2	198186-3	BATTERY BL1815G SET	<	1	*			
F07-3	198186-3	BATTERY BL1815G SET	<	1				
F08-2	198186-3	BATTERY BL1815G SET	<	1	*			
F08-3	198186-3	BATTERY BL1815G SET	<	1				

Please order the parts with part number.

Print Date 3/1/2024