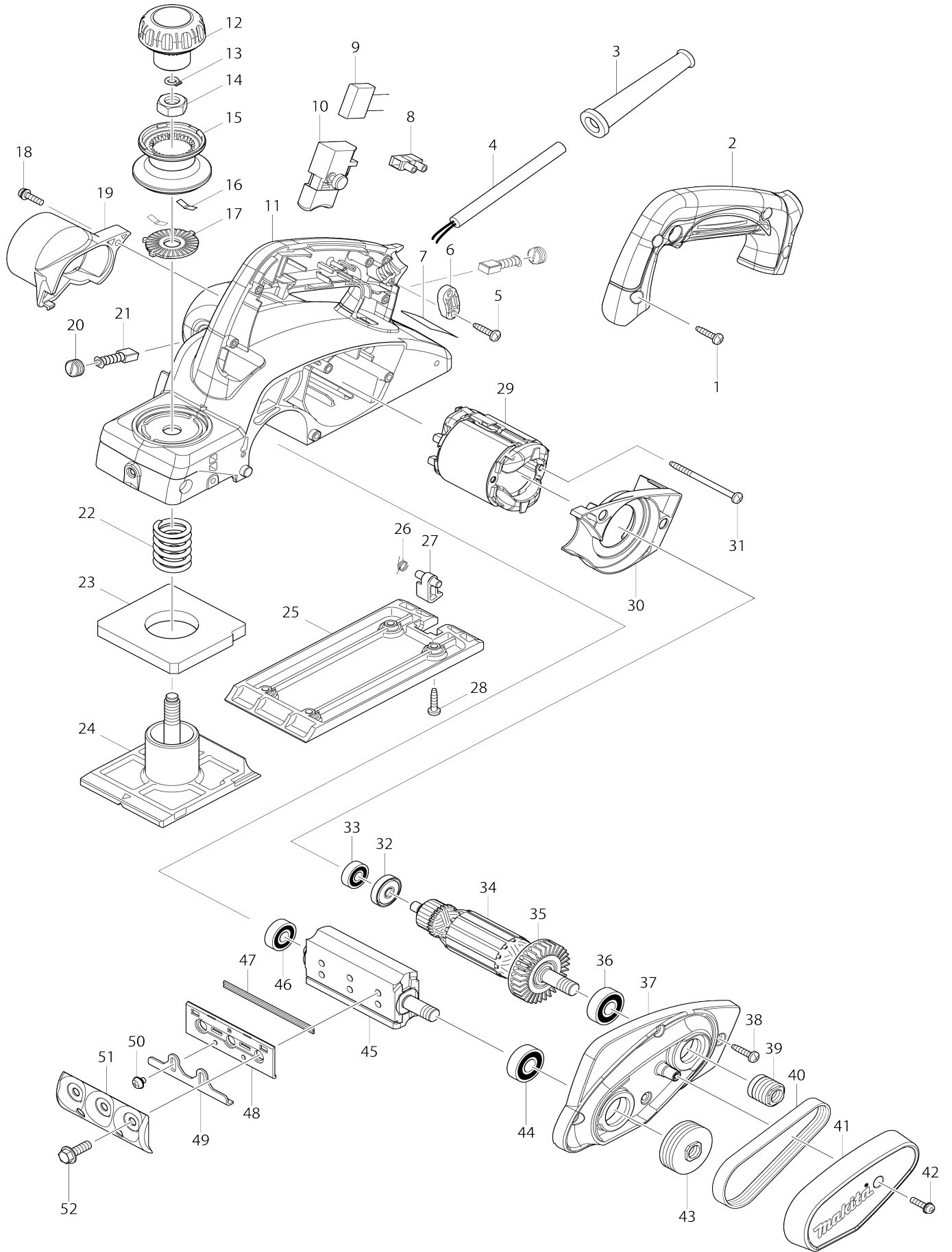


Model No.KP0800 POWER PLANER 82MM



Model No.KP0800 POWER PLANER 82MM

| Item No. | Parts No. | Description | Interchangability | Q'ty | New/Old | Note1 | Note2 |
|----------|-----------|-----------------------------|-------------------|------|---------|-------|-------|
| 001 | 266326-2 | TAPPING SCREW 4X18 | | 4 | | | |
| 002 | 451314-4 | HANDLE COVER | | 1 | | | |
| 003 | 682569-2 | CORD GUARD 8-85 | | 1 | * | | |
| 003-1 | 682502-4 | CORD GUARD 8-85 | O | 1 | | | |
| 004 | 665394-6 | POWER SUPPLY CORD 1.0-2-2.5 | | 1 | | | |
| 005 | 266326-2 | TAPPING SCREW 4X18 | | 2 | | | |
| 006 | 687124-5 | STRAIN RELIEF | | 1 | * | | |
| 006-1 | 687052-4 | STRAIN RELIEF | O | 1 | | | |
| 007 | 867138-2 | KP0800 NAME PLATE | | 1 | | | |
| 008 | 654532-5 | TERMINAL BLOCK 1P | | 1 | | | |
| 009 | 645200-1 | NOISE SUPPRESSOR | | 1 | * | | |
| 009-1 | 645190-8 | NOISE SUPPRESSOR | O | 1 | | | |
| 010 | 650237-5 | SWITCH SGE115C-6 | | 1 | | | |
| 011 | 140197-4 | MAIN FRAME COMPLETE | | 1 | | | |
| C10 | 643455-2 | BRUSH HOLDER 6X9 | | 2 | | | |
| 012 | 451328-3 | KNOB COVER | | 1 | | | |
| 013 | 961004-6 | RETAINING RING (EXT) S-8 | | 1 | | | |
| 014 | 264028-4 | HEX. NUT M10 | | 1 | | | |
| 015 | 451324-1 | KNOB | | 1 | * | | |
| 015-1 | 451324-1 | KNOB | O | 1 | | | |
| 016 | 232185-6 | LEAF SPRING | | 2 | | | |
| 017 | 346110-2 | CAM PLATE | | 1 | * | | |
| 017-1 | 346110-2 | CAM PLATE | O | 1 | | | |
| 018 | 911128-8 | P.H.SCREW M4X16 WITH WR | | 1 | | | |
| 019 | 451329-1 | NOZZLE | | 1 | | | |
| 020 | 643550-8 | BRUSH HOLDER CAP 5-8 | | 2 | | | |
| 021 | 191940-4 | CARBON BRUSH CB-411 | | 1 | | | |
| 022 | 231004-3 | COMPRESSION SPRING 18 | | 1 | | | |
| 023 | 421007-7 | RUBBER PACKING | | 1 | | | |
| 024 | 318491-4 | FRONT BASE | | 1 | * | | |
| 024-1 | 319010-9 | FRONT BASE | O | 1 | | | |
| 025 | 318499-8 | BASE | | 1 | * | | |
| 025-1 | 319009-4 | BASE | O | 1 | | | |
| 026 | 231698-4 | TORSION SPRING 7 | | 1 | | | |
| 027 | 451392-4 | FOOT | | 1 | | | |
| 028 | 266326-2 | TAPPING SCREW 4X18 | | 4 | | | |
| 029 | 593718-5 | FIELD ASS'Y 220-240V | | 1 | | | |
| C10 | 654100-4 | RING TERMINAL | | 2 | | | |
| C20 | 654501-6 | CONNECTOR P-1.25 | | 2 | * | | |
| C21 | 654485-8 | PARALLEL SPLICE | O | 2 | | | |
| 030 | 451327-5 | BAFFLE PLATE | | 1 | | | |
| 031 | 266334-3 | TAPPING SCREW 4X60 | | 2 | * | | |
| 031-1 | 266052-3 | TAPPING SCREW 4X60 | O | 2 | | | |
| 032 | 681652-2 | INSULATION WASHER | | 1 | | | |
| 033 | 210017-7 | BALL BEARING 607DDW | | 1 | | | |
| 034 | 515793-1 | ARMATURE ASS'Y 220V | | 1 | | | |
| D10 | | INC. 32,33,35,36 | | | | | |

| | | | | | | |
|-------|----------|---------------------------------|---|---|---|--|
| 035 | 240052-1 | FAN 46 | | 1 | | |
| 036 | 211088-7 | BALL BEARING 6000DDW | | 1 | | |
| 037 | 140201-9 | BRACKET COMPLETE | | 1 | | |
| C10 | 263002-9 | RUBBER PIN 4 | | 2 | | |
| 038 | 266326-2 | TAPPING SCREW 4X18 | | 4 | | |
| 039 | 222163-4 | V PULLEY 4-20L | | 1 | | |
| 040 | 225007-7 | POLY V-BELT 4-241 | | 1 | | |
| 041 | 451326-7 | BELT COVER | | 1 | | |
| 042 | 911128-8 | P.H.SCREW M4X16 WITH WR | | 1 | * | |
| 042-1 | 911138-5 | P.H.SCREW M4X20 WITH WR | < | 1 | | |
| 043 | 222164-2 | V PULLEY 4-37 | | 1 | | |
| 044 | 211088-7 | BALL BEARING 6000DDW | | 1 | | |
| 045 | 161061-6 | DRUM | | 1 | | |
| 046 | 211032-4 | BALL BEARING 608ZZ | | 1 | * | |
| 046-1 | 210223-4 | BALL BEARING 608ZZ | O | 1 | | |
| 047 | A-82921 | T.C.T. MINI PLANER BLADE | | 1 | * | |
| 047-1 | D-07945 | 82MM TCT MINI PLANER BLADE | O | 1 | | |
| 048 | 343433-9 | SET PLATE F/MINI BLADE | | 2 | | |
| 049 | 345644-2 | ADJUST PLATE | | 2 | * | |
| 049-1 | 345644-2 | ADJUST PLATE | O | 2 | | |
| 050 | 265132-2 | + PAN HEAD SCREW M4X5 | | 4 | | |
| 051 | 345007-2 | DRUM PLATE | | 1 | * | |
| 051-1 | 187679-5 | DRUM PLATE SET | O | 1 | | |
| 052 | 251609-3 | HEX. FLANGE HEAD BOLT M6X17 | | 6 | | |
| A01 | 123062-2 | BLADE GAUGE ASS'Y | | 1 | * | |
| C10 | 911228-4 | PAN HEAD SCREW M5X18 | | 2 | * | |
| C20 | 411086-3 | GAUGE PLATE | | 1 | * | |
| A01-1 | 127669-6 | BLADE GAUGE ASSEMBLY | O | 1 | * | |
| C10 | 911228-4 | PAN HEAD SCREW M5X18 | | 2 | * | |
| C20 | 418465-6 | GAUGE PLATE | | 1 | * | |
| A01-2 | 122695-0 | BLADE GAUGE ASS'Y | O | 1 | | |
| C10 | 265131-4 | PAN HEAD SCREW M5X18 | | 2 | | |
| C20 | 418465-6 | GAUGE PLATE | | 1 | | |
| A02 | 782209-3 | SOCKET WRENCH 9 | | 1 | | |
| F06 | 193540-6 | SET PLATE 82 SET | | 1 | | |
| A03 | 821551-8 | CONNECTOR PLASTIC CASE (TYP E3) | | 1 | | |
| C10 | 453974-8 | LATCH | | 4 | | |
| A04 | 837659-8 | INNER TRAY | | 1 | | |
| A05 | 800X52-3 | KP0800J INDICATION LABEL | | 1 | | |
| A06 | 800X53-1 | KP0800J PLASTIC CASE LABEL | | 2 | | |

Please state Parts No. when your order.

Print Date 26.10.2023