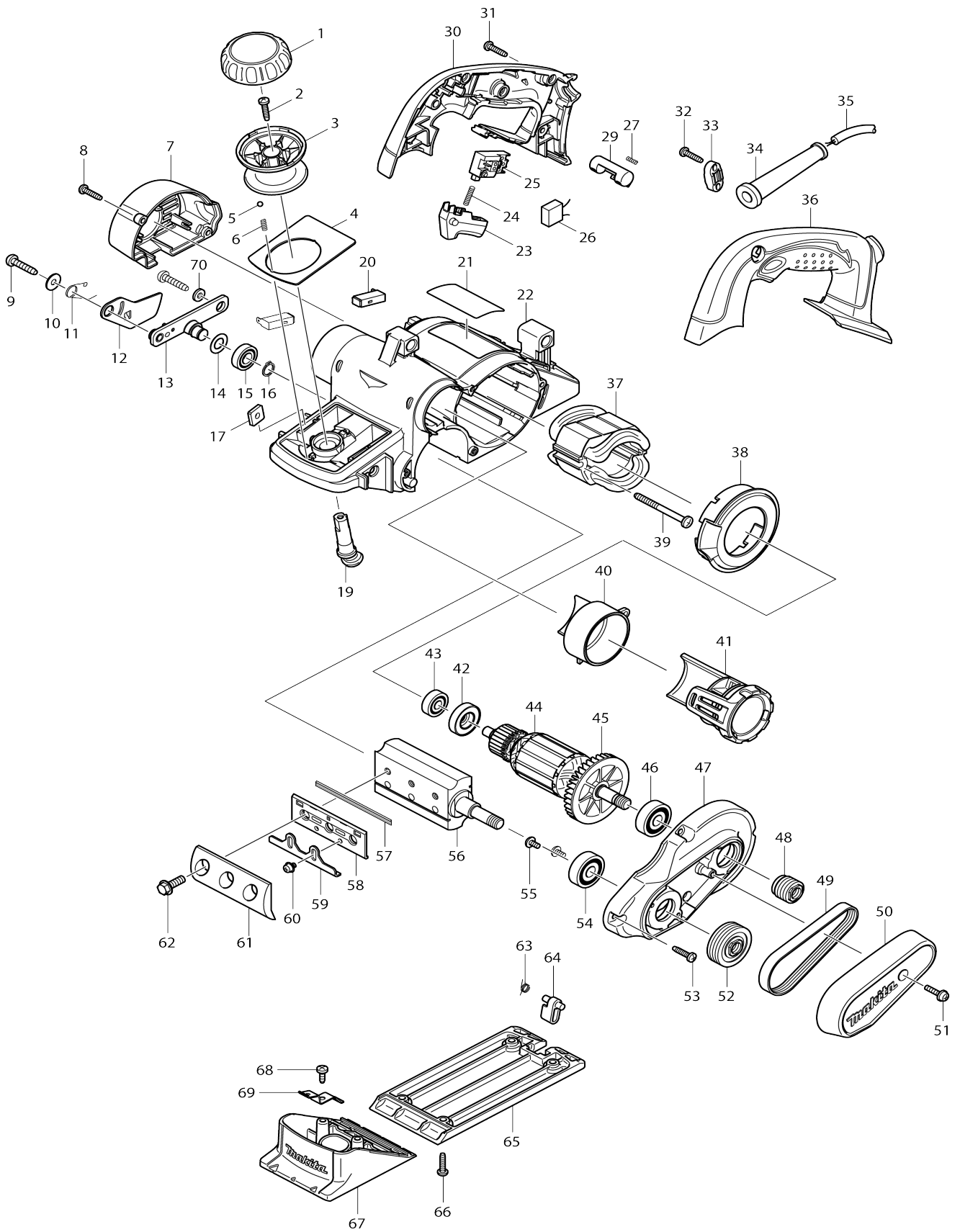


Model No.KP0810 POWER PLANER 82MM



Model No.KP0810 POWER PLANER 82MM

| Item No. | Parts No. | Description | Interchangability | Q'ty | New/Old | Note1 | Note2 |
|----------|-----------|-----------------------------|-------------------|------|---------|-------|-------|
| 001 | 419700-5 | KNOB COVER | | 1 | | | |
| 002 | 265995-6 | TAPPING SCREW 4X18 | | 1 | | | |
| 003 | 419699-4 | KNOB | | 1 | | | |
| 004 | 345766-8 | FRONT PANEL | | 1 | | | |
| 005 | 216008-6 | STEEL BALL 4 | | 2 | | | |
| 006 | 233325-9 | COMPRESSION SPRING 3 | | 2 | | | |
| 007 | 419697-8 | REAR COVER | | 1 | | | |
| 008 | 265995-6 | TAPPING SCREW 4X18 | | 2 | | | |
| 009 | 266041-8 | TAPPING SCREW 5X25 | | 2 | | | |
| 010 | 253194-2 | FLAT WASHER 5 | | 1 | | | |
| 011 | 233521-9 | TORSION SPRING 10 | | 1 | | | |
| 012 | 345765-0 | DRUM COVER | | 1 | | | |
| 013 | 158184-9 | DRUM HOLDER COMPLETE | | 1 | * | | |
| 013-1 | 141T27-2 | DRUM HOLDER COMPLETE | O | 1 | | | |
| 014 | 253758-2 | FLAT WASHER 10 | | 1 | | | |
| 015 | 210057-5 | BALL BEARING 6900LLB | | 1 | | | |
| 016 | 961006-2 | RETAINING RING S-10 | | 1 | | | |
| 017 | 264002-2 | SQUARE NUT M5 | | 2 | | | |
| 019 | 419702-1 | CAM | | 1 | | | |
| 020 | 191972-1 | CARBON BRUSH CB-132 | | 1 | | | |
| 021 | 863213-2 | KP0810 NAME PLATE | | 1 | | | |
| 022 | 419694-4 | HOUSING | | 1 | | | |
| 023 | 419703-9 | SWITCH LEVER | | 1 | | | |
| 024 | 233408-5 | COMPRESSION SPRING 3 | | 1 | | | |
| 025 | 651922-3 | SWITCH TG71B | | 1 | | | |
| 026 | 645105-5 | NOISE SUPPRESSOR | | 1 | * | | |
| 026-1 | 645185-1 | NOISE SUPPRESSOR | O | 1 | | | |
| 027 | 231433-0 | COMPRESSION SPRING 4 | | 1 | | | |
| 029 | 419704-7 | LOCK OFF BUTTON | | 1 | | | |
| 030 | 188215-0 | HANDLE SET | | 1 | | | |
| D10 | | INC. 36 | | | | | |
| 031 | 265995-6 | TAPPING SCREW 4X18 | | 5 | | | |
| 032 | 265995-6 | TAPPING SCREW 4X18 | | 2 | | | |
| 033 | 687052-4 | STRAIN RELIEF | | 1 | | | |
| 034 | 682504-0 | CORD GUARD 10-85 | | 1 | | | |
| 035 | 665890-4 | POWER SUPPLY CORD 1.0-2-4.0 | | 1 | | | |
| 036 | 188215-0 | HANDLE SET | | 1 | | | |
| D10 | | INC. 30 | | | | | |
| 037 | 525748-8 | FIELD ASS'Y 220-240V | | 1 | | | |
| C10 | 654069-2 | RECEPTACLE | | 2 | | | |
| 038 | 419701-3 | BAFFLE PLATE | | 1 | | | |
| 039 | 266095-5 | TAPPING SCREW 5X55 | | 2 | | | |
| 040 | 419710-2 | NOZZLE | | 1 | | | |
| 041 | 125353-7 | DUCT ASS'Y | | 1 | | | |
| 042 | 681659-8 | INSULATION WASHER | | 1 | | | |
| 043 | 211031-6 | BALL BEARING 608LLB | | 1 | | | |
| 044 | 513684-0 | ARMATURE ASS'Y 240V | | 1 | | | |
| | | | | | | | |

| | | | | | | |
|-------|----------|-----------------------------|---|---|---|--|
| D10 | | INC. 42,43,45 | | | | |
| 045 | 240079-1 | FAN 62 | | 1 | | |
| 046 | 211087-9 | BALL BEARING 6200DDW | | 1 | | |
| 047 | 158149-1 | BRACKET COMPLETE | | 1 | | |
| 048 | 222125-2 | V-PULLEY 4-20L | | 1 | | |
| 049 | 225007-7 | POLY V-BELT 4-241 | | 1 | | |
| 050 | 419698-6 | BELT COVER | | 1 | | |
| 051 | 911133-5 | PAN HEAD SCREW M4X18 | | 1 | | |
| 052 | 222126-0 | V-PULLEY 4-37 | | 1 | | |
| 053 | 265995-6 | TAPPING SCREW 4X18 | | 4 | | |
| 054 | 211087-9 | BALL BEARING 6200DDW | | 1 | | |
| 055 | 251291-8 | + SCREW M4X8 | | 2 | | |
| 056 | 158156-4 | DRUM COMPLETE | | 1 | | |
| 057 | 793322-2 | T.C.T. MINI PLANER BLADE 82 | | 1 | * | |
| 057-1 | A-82921 | T.C.T. MINI PLANER BLADE | < | 1 | * | |
| 057-2 | D-07945 | 82MM TCT MINI PLANER BLADE | O | 1 | | |
| 058 | 343433-9 | SET PLATE F/MINI BLADE | | 2 | | |
| 059 | 345644-2 | ADJUST PLATE | | 2 | | |
| 060 | 251246-3 | + PAN HEAD SCREW M4X5 | | 4 | * | |
| 060-1 | 265132-2 | + PAN HEAD SCREW M4X5 | O | 4 | | |
| 061 | 345001-4 | DRUM PLATE | | 1 | * | |
| 061-1 | 187676-1 | DRUM PLATE SET | O | 1 | | |
| 062 | 251609-3 | HEX. FLANGE HEAD BOLT M6X17 | | 6 | | |
| 063 | 231698-4 | TORSION SPRING 7 | | 1 | | |
| 064 | 419706-3 | FOOT | | 1 | | |
| 065 | 318098-6 | BASE | | 1 | | |
| 066 | 265995-6 | TAPPING SCREW 4X18 | | 4 | | |
| 067 | 158360-5 | FRONT BASE COMPLETE | | 1 | | |
| 068 | 266026-4 | TAPPING SCREW BIND CT 4X12 | | 2 | | |
| 069 | 232232-3 | LEAF SPRING | | 2 | | |
| 070 | 267012-8 | FLAT WASHER 5 | | 1 | | |
| A01 | 122785-9 | GUIDE RULE ASS'Y | | 1 | | |
| C10 | 213022-3 | O RING 3 | | 1 | * | |
| C11 | 213009-5 | O RING 4 | X | 1 | | |
| C20 | 251871-0 | SCREW M5X10 | | 1 | | |
| C30 | 251878-6 | SCREW M5X20 | | 1 | | |
| C40 | 253807-5 | FLAT WASHER 5 | | 2 | | |
| C50 | 345768-4 | GUIDE HOLDER | | 1 | | |
| A02 | 123062-2 | BLADE GAUGE ASS'Y | | 1 | * | |
| C10 | 911228-4 | PAN HEAD SCREW M5X18 | | 2 | * | |
| C20 | 411086-3 | GAUGE PLATE | | 1 | * | |
| A02-1 | 127669-6 | BLADE GAUGE ASSEMBLY | O | 1 | * | |
| C10 | 911228-4 | PAN HEAD SCREW M5X18 | | 2 | * | |
| C20 | 418465-6 | GAUGE PLATE | | 1 | * | |
| A02-2 | 122695-0 | BLADE GAUGE ASS'Y | O | 1 | | |
| C10 | 265131-4 | PAN HEAD SCREW M5X18 | | 2 | | |
| C20 | 418465-6 | GAUGE PLATE | | 1 | | |
| A03 | 782209-3 | SOCKET WRENCH 9 | | 1 | | |
| A04 | 251878-6 | SCREW M5X20 | | 1 | | |
| A05 | 253807-5 | FLAT WASHER 5 | | 1 | | |
| A06 | 342390-8 | DEPTH GUIDE | | 1 | | |
| A07 | 824786-0 | PLASTIC CARRYING CASE | | 1 | | |

| | | | | | | | |
|-------|----------|--------------------------------|---|---|---|--|--|
| A08 | 805081-7 | KP0810K MODEL NO. LABEL | | 1 | * | | |
| A08-1 | 890662-0 | KP0810K MODEL NO. LABEL | O | 1 | | | |
| A07 | 821551-8 | CONNECTOR PLASTIC CASE (TYPE3) | | 1 | | | |
| C10 | 453974-8 | LATCH | | 4 | | | |
| A08 | 837659-8 | INNER TRAY | | 1 | | | |
| A09 | 800X54-9 | KP0810J INDICATION LABEL | | 1 | | | |
| A10 | 800X55-7 | KP0810J PLASTIC CASE LABEL | | 2 | | | |

Please state Parts No. when your order.

Print Date 12/18/2023