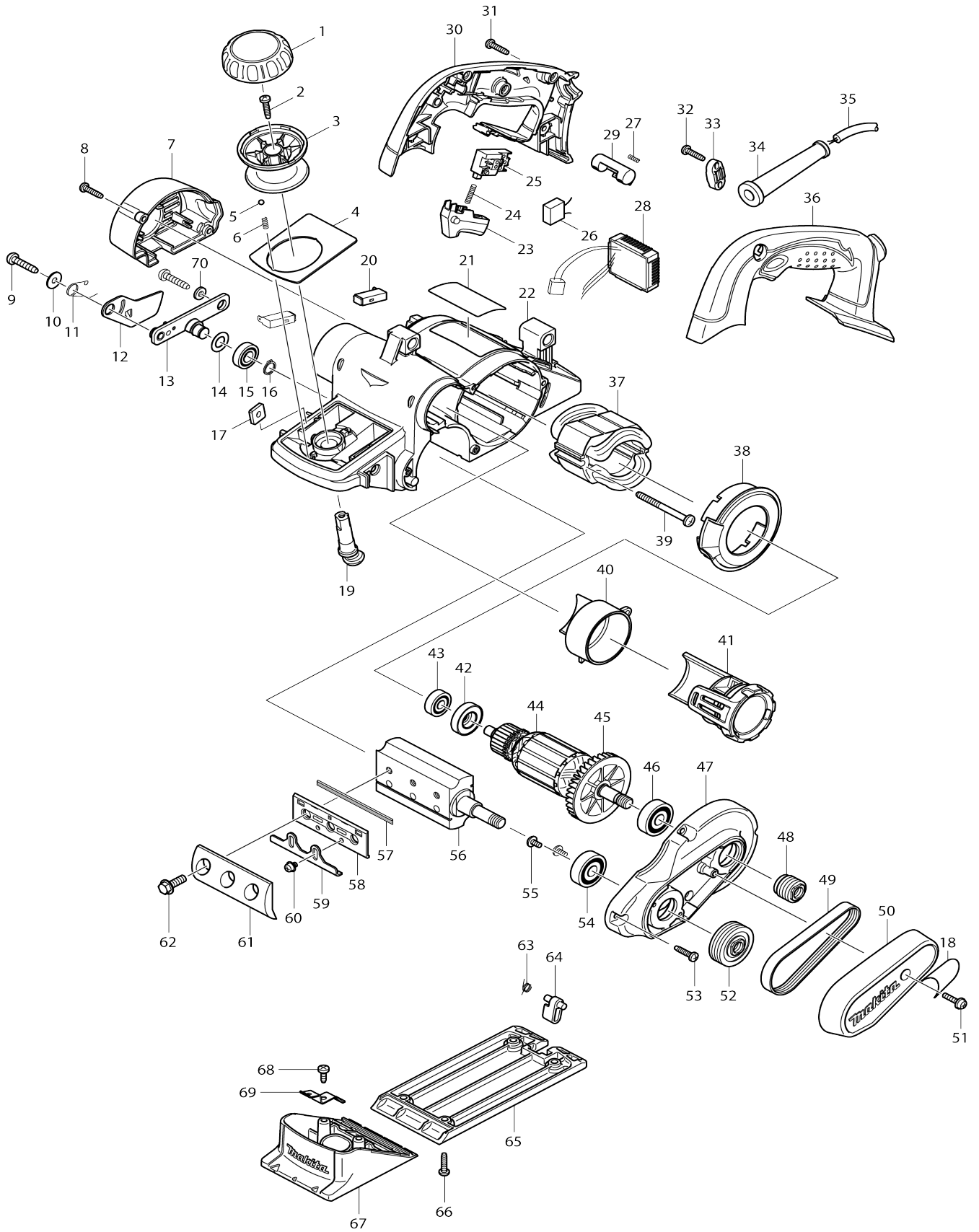


# Model No.KP0810C POWER PLANER 82MM



Model No.KP0810C POWER PLANER 82MM

Item No.	Parts No.	Description	Interchangability	Q'ty	New/Old	Note1	Note2
001	419700-5	KNOB COVER		1			
002	265995-6	TAPPING SCREW 4X18		1			
003	419699-4	KNOB		1			
004	345766-8	FRONT PANEL		1			
005	216008-6	STEEL BALL 4		2			
006	233325-9	COMPRESSION SPRING 3		2			
007	419697-8	REAR COVER		1			
008	265995-6	TAPPING SCREW 4X18		2			
009	266041-8	TAPPING SCREW 5X25		2			
010	253194-2	FLAT WASHER 5		1			
011	233521-9	TORSION SPRING 10		1			
012	345765-0	DRUM COVER		1			
013	158184-9	DRUM HOLDER COMPLETE		1	*		
013-1	141T27-2	DRUM HOLDER COMPLETE	O	1			
014	253758-2	FLAT WASHER 10		1			
015	210057-5	BALL BEARING 6900LLB		1			
016	961006-2	RETAINING RING S-10		1			
017	264002-2	SQUARE NUT M5		2			
018	805594-8	ELECTRIC SPEED CONTROL LABEL		1			
019	419702-1	CAM		1			
020	191972-1	CARBON BRUSH CB-132		1			
021	863215-8	KP0810C NAME PLATE		1			
022	419694-4	HOUSING		1			
023	419703-9	SWITCH LEVER		1			
024	233408-5	COMPRESSION SPRING 3		1			
025	651922-3	SWITCH TG71B		1			
026	645105-5	NOISE SUPPRESSOR		1	*		
026-1	645185-1	NOISE SUPPRESSOR	O	1			
027	231433-0	COMPRESSION SPRING 4		1			
028	631737-4	CONTROLLER		1			
029	419704-7	LOCK OFF BUTTON		1			
030	188215-0	HANDLE SET		1			
D10		INC. 36					
031	265995-6	TAPPING SCREW 4X18		5			
032	265995-6	TAPPING SCREW 4X18		2			
033	687052-4	STRAIN RELIEF		1			
034	682504-0	CORD GUARD 10-85		1			
035	665890-4	POWER SUPPLY CORD 1.0-2-4.0		1			
036	188215-0	HANDLE SET		1			
D10		INC. 30					
037	525753-5	FIELD ASS'Y 220-240V		1			
C10	654069-2	RECEPTACLE		2			
038	419701-3	BAFFLE PLATE		1			
039	266095-5	TAPPING SCREW 5X55		2			
040	419710-2	NOZZLE		1			
041	125353-7	DUCT ASS'Y		1			
042	681660-3	INSULATION WASHER		1			

043	211031-6	BALL BEARING 608LLB		1			
044	513688-2	ARMATURE ASS'Y 220-240V		1			
D10		INC. 42,43,45					
045	240079-1	FAN 62		1			
046	211087-9	BALL BEARING 6200DDW		1			
047	158149-1	BRACKET COMPLETE		1			
048	222125-2	V-PULLEY 4-20L		1			
049	225007-7	POLY V-BELT 4-241		1			
050	158362-1	BELT COVER COMPLETE		1			
D10		INC. 18					
051	911133-5	PAN HEAD SCREW M4X18		1			
052	222126-0	V-PULLEY 4-37		1			
053	265995-6	TAPPING SCREW 4X18		4			
054	211087-9	BALL BEARING 6200DDW		1			
055	251291-8	+ SCREW M4X8		2			
056	158156-4	DRUM COMPLETE		1			
057	793322-2	T.C.T. MINI PLANER BLADE 82		1	*		
057-1	A-82921	T.C.T. MINI PLANER BLADE	<	1	*		
057-2	D-07945	82MM TCT MINI PLANER BLADE	O	1			
058	343433-9	SET PLATE F/MINI BLADE		2			
059	345644-2	ADJUST PLATE		2			
060	251246-3	+ PAN HEAD SCREW M4X5		4	*		
060-1	265132-2	+ PAN HEAD SCREW M4X5	O	4			
061	345001-4	DRUM PLATE		1	*		
061-1	187676-1	DRUM PLATE SET	O	1			
062	251609-3	HEX. FLANGE HEAD BOLT M6X17		6			
063	231698-4	TORSION SPRING 7		1			
064	419706-3	FOOT		1			
065	318098-6	BASE		1			
066	265995-6	TAPPING SCREW 4X18		4			
067	158360-5	FRONT BASE COMPLETE		1			
068	266026-4	TAPPING SCREW BIND CT 4X12		2			
069	232232-3	LEAF SPRING		2			
070	267012-8	FLAT WASHER 5		1			
A01	122785-9	GUIDE RULE ASS'Y		1			
C10	213022-3	O RING 3		1	*		
C11	213009-5	O RING 4	X	1			
C20	251871-0	SCREW M5X10		1			
C30	251878-6	SCREW M5X20		1			
C40	253807-5	FLAT WASHER 5		2			
C50	345768-4	GUIDE HOLDER		1			
A02	123062-2	BLADE GAUGE ASS'Y		1	*		
C10	911228-4	PAN HEAD SCREW M5X18		2	*		
C20	411086-3	GAUGE PLATE		1	*		
A02-1	127669-6	BLADE GAUGE ASSEMBLY	O	1	*		
C10	911228-4	PAN HEAD SCREW M5X18		2	*		
C20	418465-6	GAUGE PLATE		1	*		
A02-2	122695-0	BLADE GAUGE ASS'Y	O	1			
C10	265131-4	PAN HEAD SCREW M5X18		2			
C20	418465-6	GAUGE PLATE		1			
A03	782209-3	SOCKET WRENCH 9		1			

A04	251878-6	SCREW M5X20		1		
A05	253807-5	FLAT WASHER 5		1		
A06	342390-8	DEPTH GUIDE		1		
A07	824786-0	PLASTIC CARRYING CASE		1		
A08	805082-5	KP0810CK MODEL NO. LABEL		1	*	
A08-1	890664-6	KP0810CK MODEL NO. LABEL	O	1		
A07	821551-8	CONNECTOR PLASTIC CASE (TYPE3)		1		
C10	453974-8	LATCH		4		
A08	837659-8	INNER TRAY		1		
A09	800X56-5	KP0810CJ INDICATION LABEL		1		
A10	800X57-3	KP0810CJ PLASTIC CASE LABEL		2		

Please state Parts No. when your order.

Print Date 12/18/2023